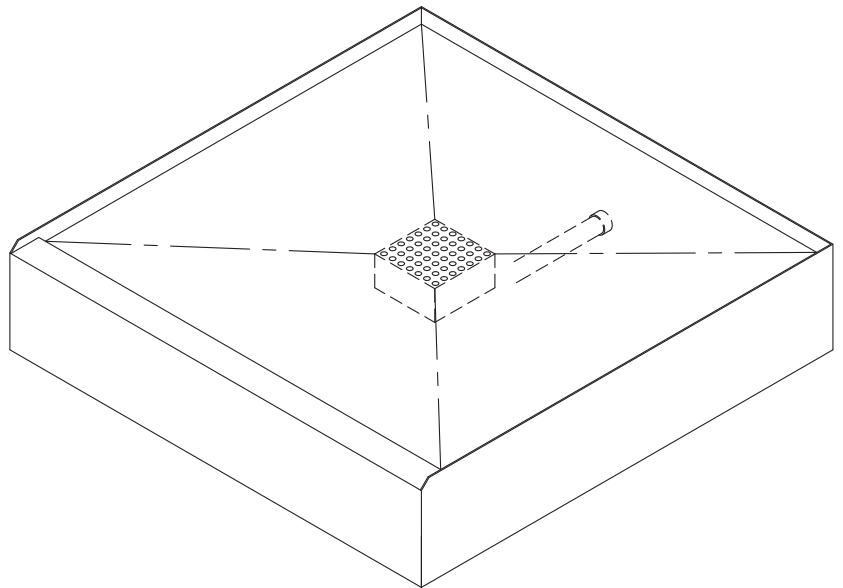


SB-Series Stainless Steel Shower Base



(Unit may be shown with optional features)

To specify fixture and accessories, use the Model Number and Options page.

Example: To specify an SB-Series stainless steel 36"x36" shower base with standard 2" F.I.P. elbow waste with integral strainer drain, back chase, and polished front and sides:

Use the following Willoughby Model Number:

SB-3636-EBD-BCS-A1

Recommended Specifications

Stainless steel shower base shall be:
Willoughby Model No. **SB-___**

Shower base shall be fabricated from 14 gauge, Type 304 stainless steel, except shower base floor which shall be fabricated from 11 gauge, Type 304 stainless steel. The construction shall be all-welded, exposed stainless surfaces polished to a #4 satin finish, except shower floor which shall have a slip-resistant glass-bead-blast finish floor.

Shower base floor has an integral drain and an integral tiling flange. Shower drain is supplied as standard w/ integral strainer drain with elbow waste (2" F.I.P.) extending to chase wall. Underside of floor shall be sound deadened with fire resistant material.

visit our website at www.willoughby-ind.com

5105 West 78th Street • Indianapolis, IN. 46268
(317) 875-0830 • Fax: (317) 875-0837 • (800) 428-4065



MADE IN THE U.S.A.

MODEL NUMBER AND OPTIONS:

1.) Base Model Number:

- SB-3030 30"x30" Stainless Steel Shower Base
- SB-3232 32"x32" Stainless Steel Shower Base
- SB-3636 36"x36" Stainless Steel Shower Base

2.) Drain Selection:

- EBD Elbow Waste for Cabinet Shower (2" FIP) w/ Integral Strainer Drain (Standard)
- ICD Inside Caulk Drain (2") w/ Removable Strainer
- PTD Integral 'P'-Trap Drain (2" FIP) w/ Removable Strainer

3.) Chase Wall Orientation:

- BCS Back Chase
- LCS Left Chase
- RCS Right Chase

4.) Fixture Exterior Finish Schedule:

*(Based on Chase Wall Orientation;
see the Options Pages at the end of
Catalog Section for diagram)*

For (BCS) Back Chase:

- A1 Polished Front, Left Side, & Right Side
- A2 Polished Front & Right Side
- A3 Polished Front & Left Side
- A4 Polished Front only

For (LCS) Left Chase:

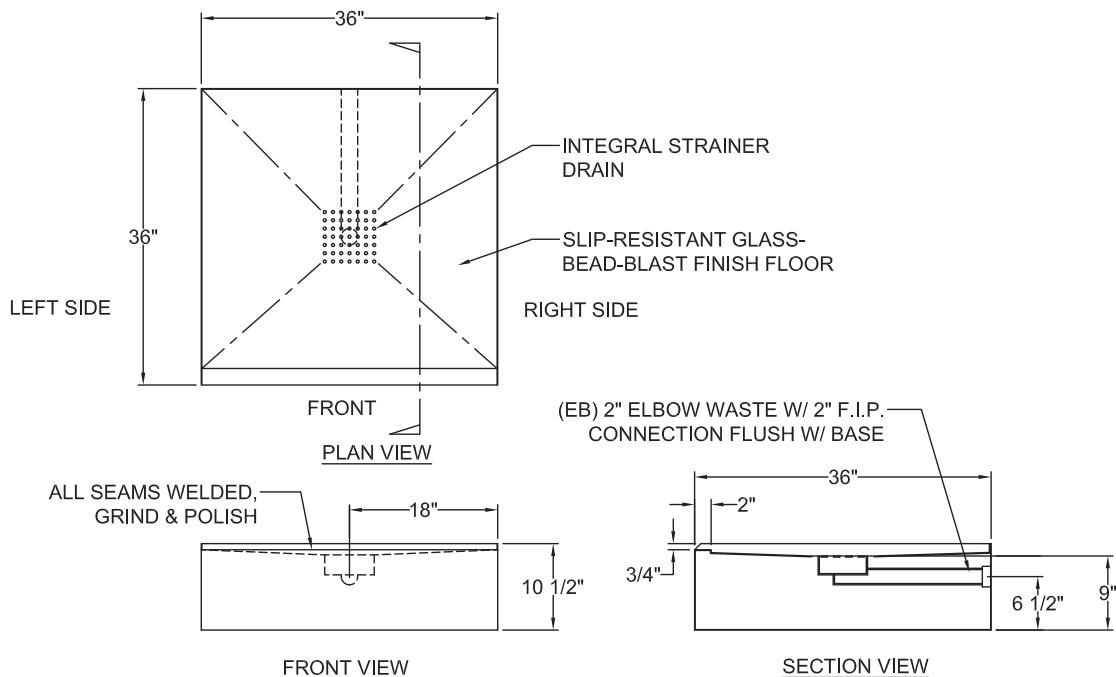
- B1 Polished Front, Back Side, & Right Side
- B2 Polished Front & Right Side
- B3 Polished Front only

For (RCS) Right Chase:

- C1 Polished Front, Back Side, & Left Side
- C2 Polished Front & Left Side
- C3 Polished Front only

Approved For Manufacturing By: _____ Date: _____ Company: _____
 Wall Thickness: _____ Wall Type: _____

VERIFY ALL DIMENSIONS WITH FACTORY PRIOR TO ROUGH-IN
 WILLOUGHBY RESERVES THE RIGHT TO MAKE CHANGES IN DESIGN AND DIMENSIONS WITHOUT FORMAL NOTICE AND WITHOUT INCURRING OBLIGATION.



visit our website at www.willoughby-ind.com
 5105 West 78th Street • Indianapolis, IN. 46268
 (317) 875-0830 • Fax: (317) 875-0837 • (800) 428-4065



MADE IN THE U.S.A.