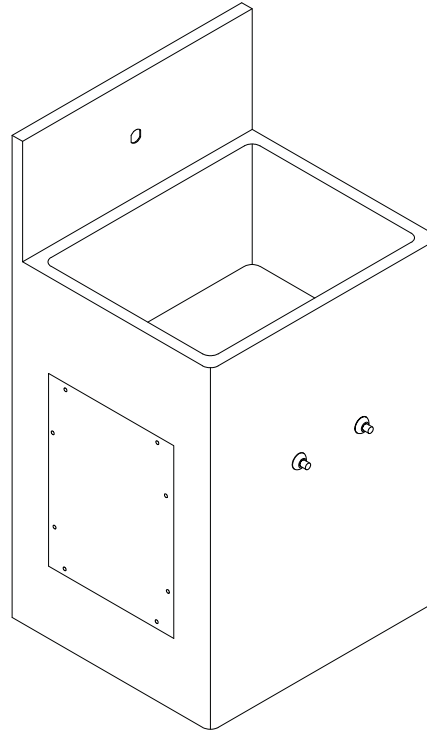


## SS-FA Series Front Access Service Sink



*(Unit may be shown with optional features)*

To specify fixture and accessories, use the Model Number and Options page.

Example: To specify a Front Access Service Sink, 22" x 20" with plain end spout, dual temp. pneumatic metering valve, pneumatic push buttons, and removable 'p'-trap

Use the following Willoughby Model Number:

**SS-2219-FM-FA-SE-PML2-PPB-RPT**

## Recommended Specifications

Front Access Service Sink shall be:

Willoughby Model No. **SS-FA**

(Select from model number and options list on next page)

Entire fixture, including bracing and internal plumbing, shall be fabricated from 14 GA., Type 304 stainless steel. The construction shall be all welded, with exposed stainless surfaces polished to a #4 satin finish.

Standard equipment shall include:

- Rectangular shaped, 10" deep sink bowl
- Fast drain with air vent
- (1-1/2") slip joint, cast brass union 'p'-trap
- Removable access panels attached with security screws to provide access to fixture interior

Anchoring shall be from the front with 'z'-clip. Wall/floor anchoring holes provided. Anchoring hardware by others. Unit requires no chase area for installation and maintenance.

visit our website at [www.willoughby-ind.com](http://www.willoughby-ind.com)

5105 West 78th Street • Indianapolis, IN. 46268

(317) 875-0830 • Fax: (317) 875-0837 • (800) 428-4065



MADE IN THE U.S.A.

# MODEL NUMBER AND OPTIONS:

## 1.) Base Model Number:

- SS-2219-FM-FA 22" x 19" Front Access Service Sink  
(Floor Mounted, Wall Outlet)
- SS-2419-FM-FA 24" x 19" Front Access Service Sink  
(Floor Mounted, Wall Outlet)

## 2.) Spout Selection:

- SE Spout with Plain End
- SH Spout with Hose End
- VB Vacuum Breaker (For use with (SH) Hose End Spout)

## 3.) Lavatory Valve Selection:

- NV No Valve (Select Hole Punching if needed)
- PSL1 Single Temp. Pneumatic Non-metering
- PSL2 Dual Temp. Pneumatic Non-metering
- PML1 Single Temp. Pneumatic Metering
- PML2 Dual Temp. Pneumatic Metering
- E1L1 Single Temp. Electronic (pick control)\*
- E1L2 Dual Temp. Electronic (pick control)\*

## 4.) Lavatory Valve Actuation:

- PPB Pneumatic Push Buttons
- PBH Ligature-resistant Push Buttons
- EPB Electronic Push Buttons\*
- EPBH Ligature-resistant Electronic Push Buttons\*
- PZPB Piezo Electronic Push Buttons\*

## 5.) Electronic Controls\* (Must Use Electronic Push Button):

- WUCC-3010  Pneutronic  WMSII  
(The WUCC-3010 Control can be used to pair a Sink with a Toilet)

## 6.) Hole Punching:

- 4CC 4" Centerset, Ø1" Holes (Specify 2 or 3 holes: \_\_\_)
- 8CC 8" Centerset, Ø1" Holes (Specify 2 or 3 holes: \_\_\_)
- 1CC Center Shank, (1) Ø1" Hole
- SP Special Punching (Specify hole punching dim.)  
SP: \_\_\_\_\_

## 7.) Lavatory Waste:

- RPT Removable 'P'-Trap (Standard)

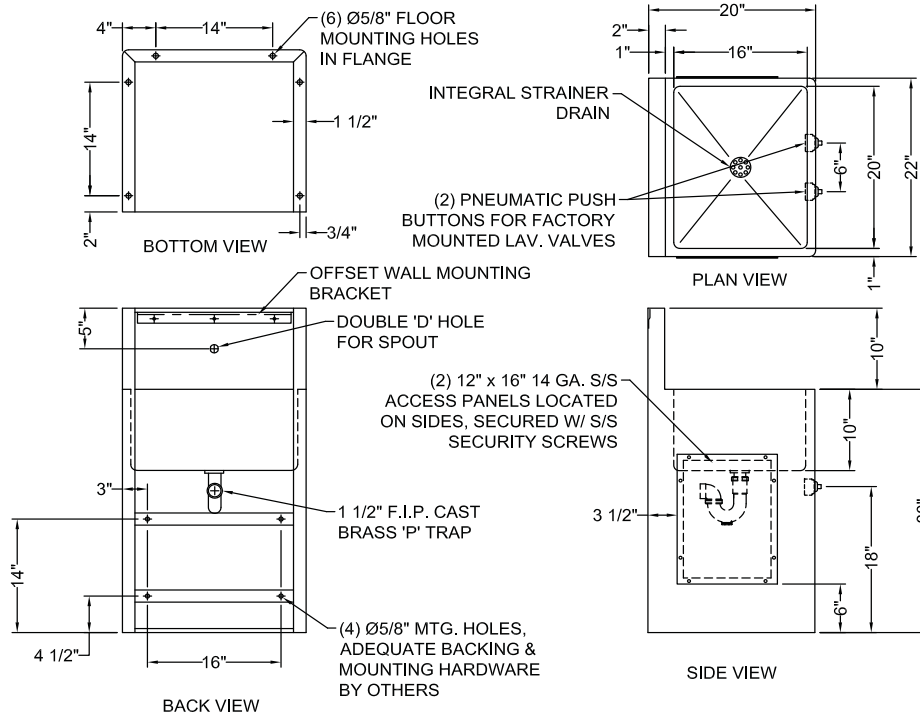
## 8.) Options:

- MT Wall Template
- SD Surface Mounted Soap Dish
- TF24H Hard-wired Transformer, 110VAC to 24VAC\*
- TF24P Plug-in Transformer, 110VAC to 24VAC\*
- VG Ventilation Grille (Specify Location and Free Area)
- DC Decorator Color (Fixture exterior only - White)
- TG 12 Gauge Cabinet
- Other: \_\_\_\_\_
- Other: \_\_\_\_\_

\*(Req. 110V power through ground fault interrupter (GFCI) receptacle)

Approved For Manufacturing By: \_\_\_\_\_ Date: \_\_\_\_\_ Company: \_\_\_\_\_  
Wall Thickness: \_\_\_\_\_ Wall Type: \_\_\_\_\_

VERIFY ALL DIMENSIONS WITH FACTORY PRIOR TO ROUGH-IN  
WILLOUGHBY RESERVES THE RIGHT TO MAKE CHANGES IN DESIGN AND  
DIMENSIONS WITHOUT FORMAL NOTICE AND WITHOUT INCURRING OBLIGATION.



visit our website at [www.willoughby-ind.com](http://www.willoughby-ind.com)

5105 West 78th Street • Indianapolis, IN. 46268

(317) 875-0830 • Fax: (317) 875-0837 • (800) 428-4065



MADE IN THE U.S.A.