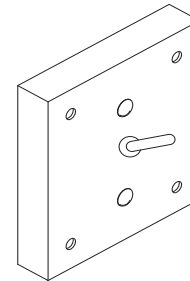
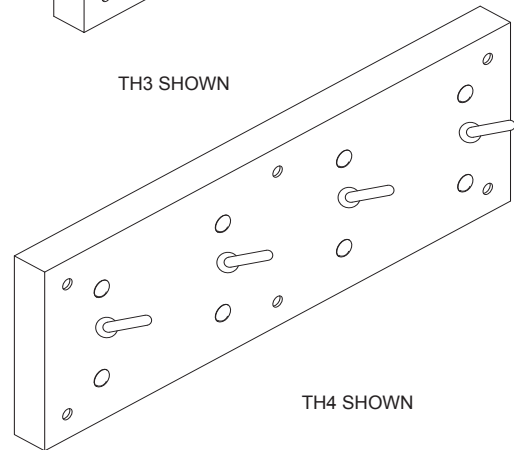


TH Series Release Towel Hook

✓	MODEL NUMBER	NUMBER OF HOOKS
	TH3	1
	TH4	4



TH3 SHOWN



TH4 SHOWN

TH ____ release towel hook assembly shall be fabricated from type 304 stainless steel. Exposed stainless steel surfaces shall be polished to a #4 satin finish. Pressure activated release towel hook(s) will support light clothing and towel loads, however, excessive hook loads will cause downward hook release.

Hook assemblies supplied with vandal-resistant stainless steel security screws. Wall anchors by others.

