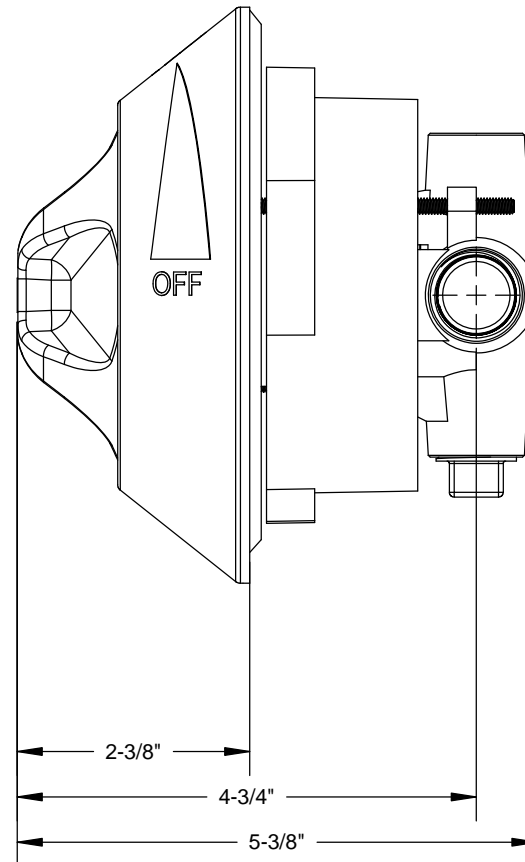
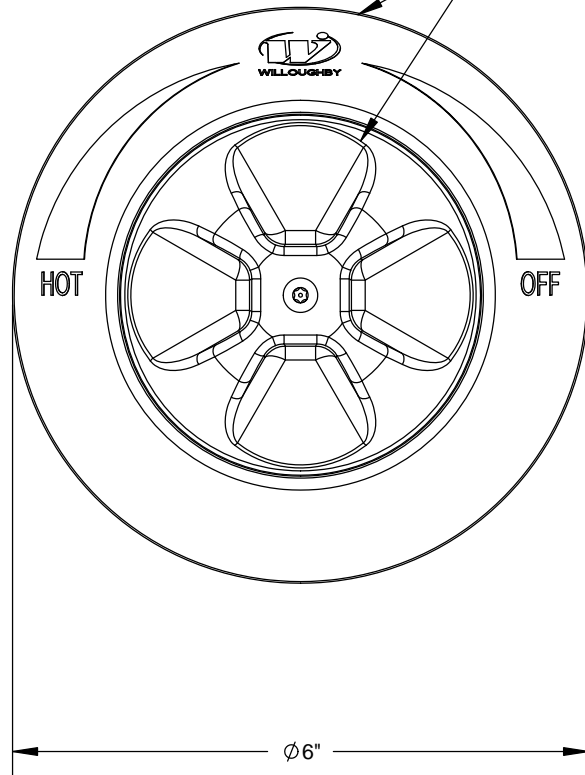



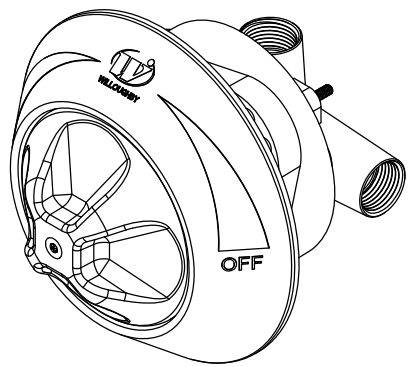


WILLOUGHBY LIGATURE-RESISTANT HANDLE SET

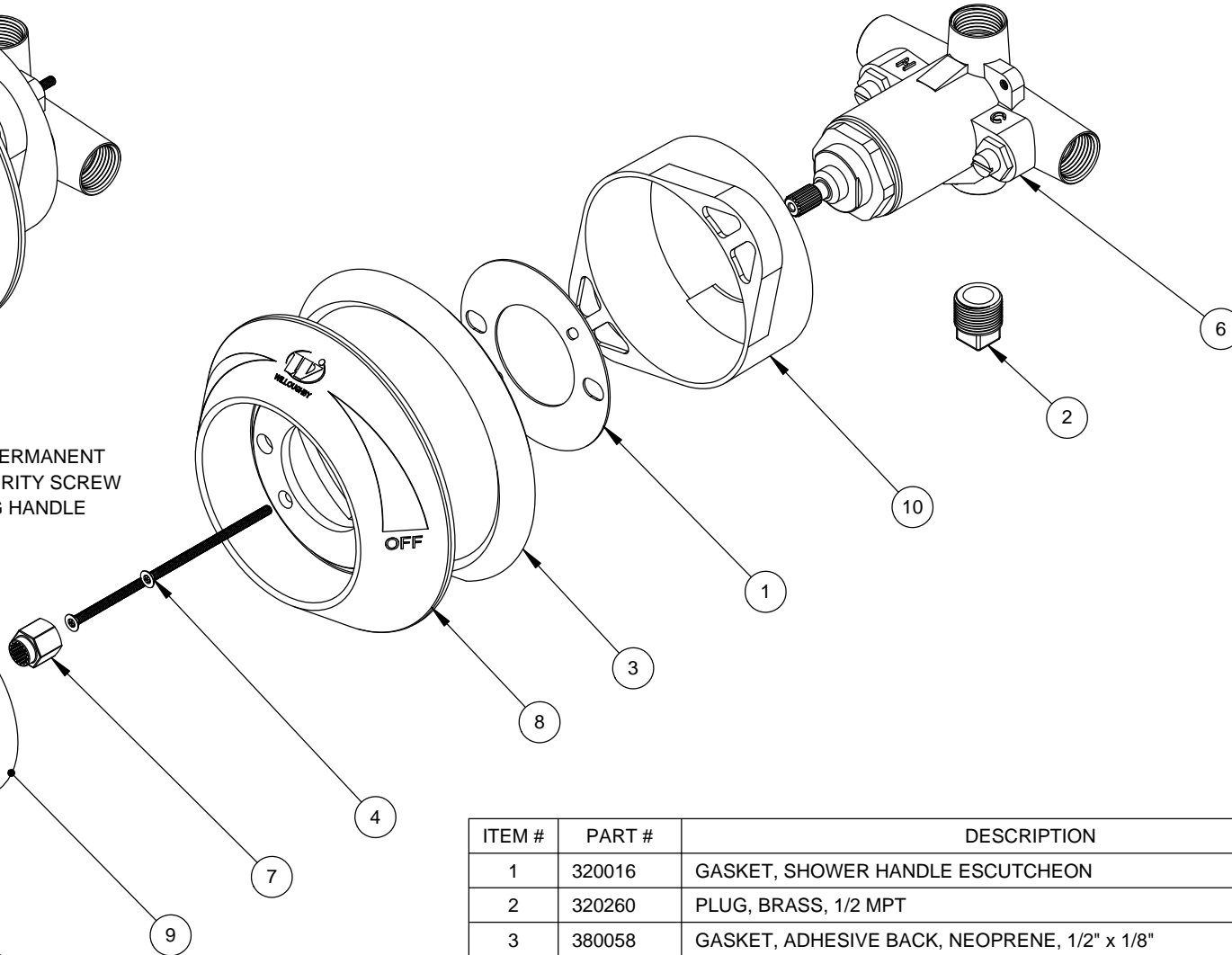
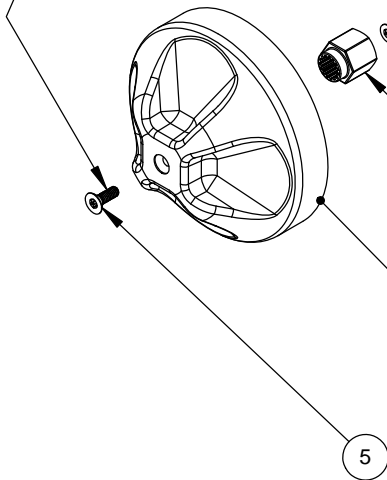


POWERS E700 TEMP / PRESSURE-BALANCING MIXING VALVE

 WILLOUGHBY	Willoughby Industries, Inc. Indianapolis, Indiana		TITLE / DESC.: WILLOUGHBY TPLR VALVE KIT LIGATURE RESISTANT T/P VALVE ASSEMBLY, WILLOUGHBY		PART #: 701500	
	TOLERANCES EXCEPT AS NOTED	2 PLCS: +0.03 3 PLCS: +0.015 FRACTIONS: ±1/32" ANGLE: ±1°	SIZE: A	MATL: AS NOTED, SEE BOM	REVISION: A	ORIG.: TRB 6/2/15 REV.: MW 11/23/16



NOTE: USE NON-PERMANENT
LOCTITE ON SECURITY SCREW
WHEN INSTALLING HANDLE



ITEM #	PART #	DESCRIPTION	QTY.
1	320016	GASKET, SHOWER HANDLE ESCUTCHEON	1
2	320260	PLUG, BRASS, 1/2 MPT	1
3	380058	GASKET, ADHESIVE BACK, NEOPRENE, 1/2" x 1/8"	1
4	4506SSN	8-32 X 3" SS FH SECURITY SCREW	2
5	4517SSN	SCREW, SECURITY, FH, #8-32 X 1/2", SS, PIN-TORX	1
6	701496	MIXING VALVE, E700 T/P, NPT 1/2" INLETS/OUTLETS	1
7	701497	INSERT, LIG. RESISTANT HANDLE SET, WILLOUGHBY	1
8	701498	DIAL PLATE, LIGATURE RESISTANT HANDLE SET, WILLOUGHBY	1
9	701499	SHOWER HANDLE, LIGATURE RESISTANT HANDLE SET, WILLOUGHBY	1
10	900-119	MOUNTING BRACKET, THIN WALL	1



Willoughby Industries, Inc.
Indianapolis, Indiana

TOLERANCES EXCEPT AS NOTED
2 PLCS: ±0.03
3 PLCS: ±0.015
FRACTIONS: ±1/32"
ANGLE: ±1°

TITLE / DESC.:

WILLOUGHBY TPLR VALVE KIT
LIGATURE RESISTANT T/P VALVE ASSEMBLY, WILLOUGHBY

SIZE: A
MATEL: AS NOTED, SEE BOM
SCALE: 1:3
REF.:

REVISION: A
ORIG.: TRB 6/2/15
REV.: MW 11/23/16

PART #: 701500
STANDARD
SHEET: 2 OF 2