

Roll-In Handicap Cabinet Shower



Recommended Specifications

Roll-In Handicap Cabinet Shower shall be:
Willoughby Model No. **___S-3660-HC**
(Select from model number and options list on next page)

Shower cabinet shall be fabricated from 14 gauge, Type 304 stainless steel. Shower floor shall be fabricated from 11 gauge, Type 304 stainless steel. The construction shall be **all-welded** (unitized models only, not applicable to knockdown models), exposed stainless surfaces polished to a #4 satin finish, except shower floor which shall have a non-slip glass blast finish.

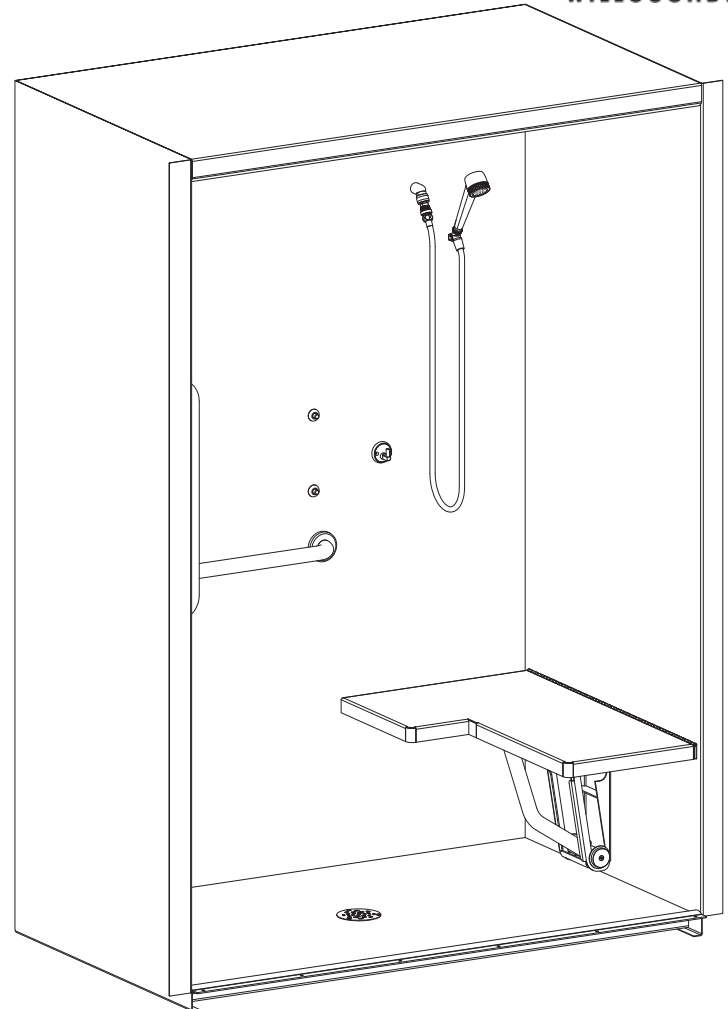
Standard equipment shall include:

- (ICD) Inside caulk drain (2") with removable strainer
- (GB24) 24" Horizontally-mounted grab bar
- (GB30) 30" Horizontally-mounted grab bar
- (GB24V) 24" Vertically-mounted grab bar
- (FSS) Fold-up stainless steel shower seat

Unit requires chase area for installation and maintenance.

Underside of shower floor shall be sound deadened with fire resistant material.

Unit requires 2" recess in floor.



Please provide shower finish schedule upon ordering.
(Unit may be shown with optional features)

To specify fixture and accessories, use the Model Number and Options page.

Example: To specify a unitized 36" x 60" Roll-In Handicap Cabinet Shower with ADA-Compliant back wall chase/shower head/valving, polished front, single temp. pneumatic metering valves, standard pneumatic push buttons, 2.5 GPM flow rate, non-adjustable penal shower head and hand held Flex-shower, and standard inside caulk drain

Use the following Willoughby Model Number:

US-3660-HC-B-A4-PML1-MA2-PPB-2.5GPM-NPS-FX-ICD

Fixture shall be free-standing, no anchoring required.

To specify Knockdown Cabinet Shower: Select the "KS" model number from the list on the Model Number and Options page.

***NOTE:** US/KS-3660-HC is in compliance with ADA 2010 standards when equipped with valve controls mounted on the Back Wall of the fixture, adjacent to the Fold-up Shower Seat. (Specify when ordering, contact your Willoughby representative for further details.)

visit our website at www.willoughby-ind.com
5105 West 78th Street • Indianapolis, IN. 46268
(317) 875-0830 • Fax: (317) 875-0837 • (800) 428-4065



MADE IN THE U.S.A.

MODEL NUMBER AND OPTIONS:

1.) Base Model Number:

- Unitized Roll-in Handicap Cabinet Shower:**
- US-3660-HC 36"L x 60"W Cabinet Shower
- Knockdown Roll-in Handicap Cabinet Shower:**
- KS-3660-HC 36"L x 60"W Cabinet Shower

2.) Chase Wall/ Shower Head/Valve Orientation:

- B Back Wall, ADA Comp. (BCS Chase)
- L Left Hand (LCS- Left Chase)
- R Right Hand (RCS- Right Chase)

3.) Cabinet Side Exterior Finish Schedule:

(Based on Chase Wall Orientation; see the Options Pages at the end of Catalog Section for diagram)

For (BCS) Back Wall (ADA Comp.):

- A1 Polished Front, Left Side, & Right Side
- A2 Polished Front & Right Side
- A3 Polished Front & Left Side
- A4 Polished Front only

For (LCS) Left Chase:

- B2 Polished Front & Right Side
- B3 Polished Front only

For (RCS) Right Chase:

- C2 Polished Front & Left Side
- C3 Polished Front only

4.) Valve Selection:

- NV No Valve
- PML1 Single Temp. Pneumatic Metering
- PML2 Dual Temp. Pneumatic Metering
- E1L1 Single Temp. Electronic (Pick Control)**
- E1L2 Dual Temp. Electronic (Pick Control)**
- PBV Pressure-Balancing Mixing Valve
- TPV Temp/Pressure-Balancing Mixing Valve
- TPLR Ligature-resistant Temp/Pressure-Balancing Mixing Valve

Valve Manifold Option:

Pneumatic or Electronic Valves Only:
(See the Manifold Option Page at the end of Catalog Section S5 for further information)

- MA2

5.) Diverter Valve:

- DV Diverter Valve
- DVLR Ligature-resistant Diverter Valve
- PML1-MA2 Two Single Temp. Pneumatic Metering Valves in Lieu of Diverter Valve

6.) Push Button Selection:

Pneumatic or Electronic Valves Only:

- PPB Pneumatic Push Buttons
- PBH Ligature-resistant Push Buttons
- EPB Electronic Push Buttons**
- EPBH Ligature-resistant Electronic Push Buttons**
- PZPB Piezo Push Buttons**

7.) Flow Rates:

- 2.5 GPM (Standard)
- 2.0 GPM
- 1.5 GPM

8.) Electronic Controls**

(Must Use Electronic Push Button):

- WUSC-2200 WUSC-2400
- Pneutronic WMS II

9.) Shower Head Selection:

- NPS Non-adjustable Penal Shower Head (Stdnd.)
- FX Hand Held Flexshower w/ Quick Disconnect and Vacuum Breaker (Standard)
- APS Adjustable Penal Shower Head
- CSH Ligature-resistant Shower Head
- 2HD (2) Fixed Shower Heads, Replaces (FX)

10.) Drain Selection:

- ICD Inside Caulk Cabinet Shower Drain (2") (Standard)

11.) Options:

- VG Ventilation Grille (Specify Free Area and Location; Standard Grille Dimensions: 8-3/4" x 8-3/4" with 15-3/4 in² open area)
- CP Closure Panels (Specify Dimensions and Locations)
- STC Sloping Top Closure
- CR Curtain Rod
- TH1 Release Towel Hook
- GBC Grab Bar Closure Plates
- RD Recessed Mounted Soap Dish (Standard)
- SD Surface Mounted Soap Dish
- TA Threshold Anchors
- TMV In-line Thermostatic Mixing Valve
- TF24H Hard-wired Transformer, 110VAC to 24VAC**
- TF24P Plug-in Transformer, 110VAC to 24VAC**
- LFSS Less Fold-up Stainless Steel Shower Seat (NOTE: LFSS Option will require (1) centered 48" back-wall grab bar, and (2) centered 24" side-wall grab bars (included))

- Other _____
- Other _____

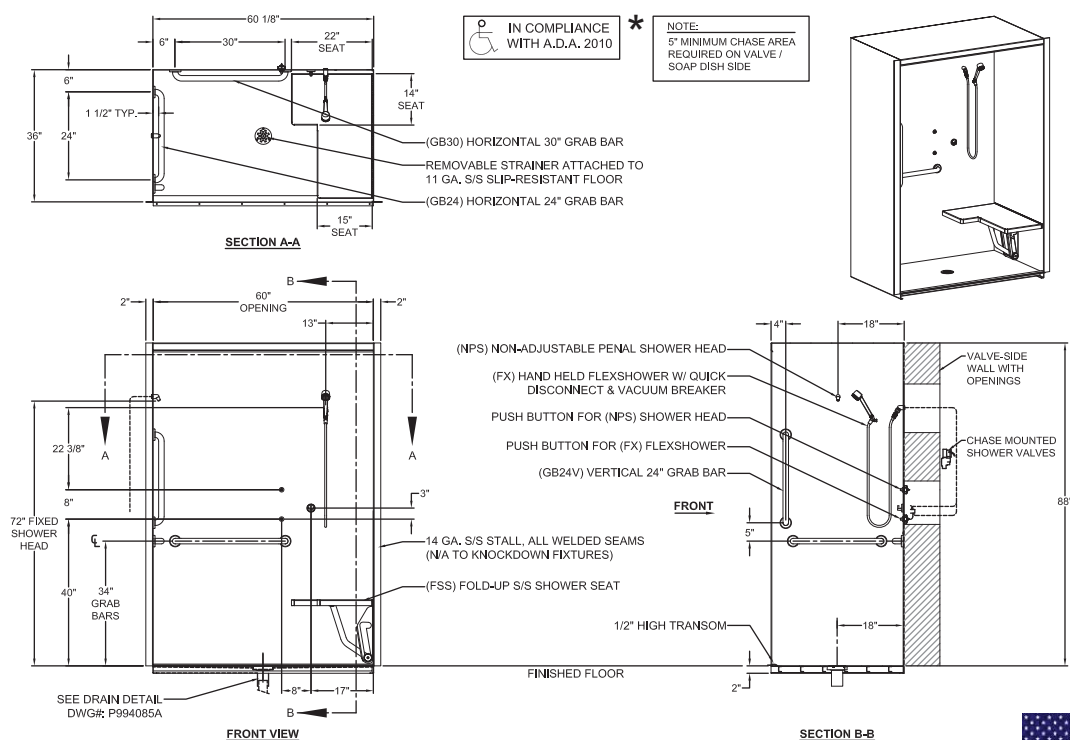
** (Req. 110V power through ground fault interrupter (GFCI) receptacle)

***NOTE:** US/KS-3660-HC is in compliance with ADA 2010 standards when equipped with valve controls mounted on the Back Wall of the fixture, adjacent to the Fold-up Shower Seat. (Specify when ordering, contact your Willoughby representative for further details.)

Approved For Manufacturing By: _____ Date: _____ Company: _____

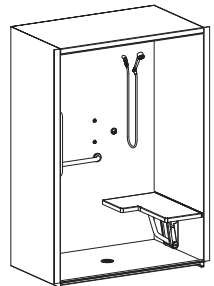
Wall Thickness: _____ Wall Type: _____

VERIFY ALL DIMENSIONS WITH FACTORY PRIOR TO ROUGH-IN
WILLOUGHBY RESERVES THE RIGHT TO MAKE CHANGES IN DESIGN AND DIMENSIONS WITHOUT FORMAL NOTICE AND WITHOUT INCURRING OBLIGATION.



IN COMPLIANCE WITH A.D.A. 2010 *

NOTE:
5" MINIMUM CHASE AREA REQUIRED ON VALVE / SOAP DISH SIDE



visit our website at www.willoughby-ind.com
5105 West 78th Street • Indianapolis, IN. 46268
(317) 875-0830 • Fax: (317) 875-0837 • (800) 428-4065



MADE IN THE U.S.A.