

Roll-In Front Access Handicap Cabinet Shower



Recommended Specifications

Roll-In Front Access Handicap Cabinet Shower shall be:
Willoughby Model No. **S-3660-HC-FA**
(Select from model number and options list on next page)

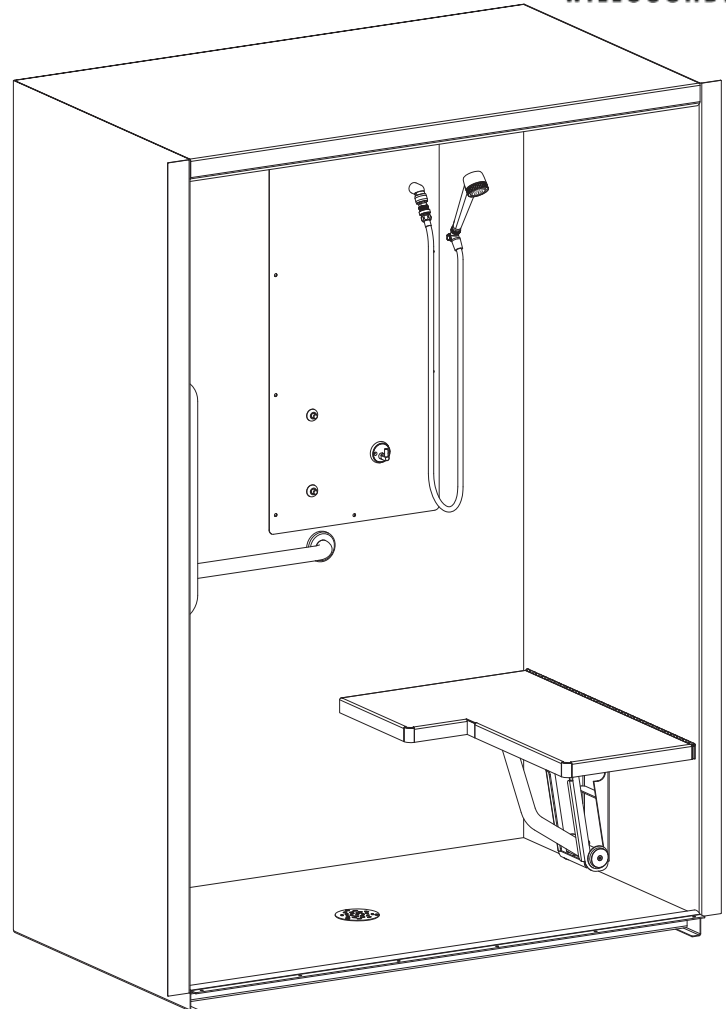
Shower cabinet shall be fabricated from 14 GA., Type 304 stainless steel. Shower floor shall be fabricated from 11 GA., Type 304 stainless steel. The construction shall be **all-welded** (unitized models only, not applicable to knock-down models), exposed stainless surfaces polished to a #4 satin finish, except shower floor which shall have a non-slip glass blast finish.

Standard equipment shall include:

- (ICD) Inside caulk drain (2") with removable strainer
- (GB24) 24" Horizontally-mounted grab bar
- (GB30) 30" Horizontally-mounted grab bar
- (GB24V) 24" Vertically-mounted grab bar
- (FSS) Fold-up stainless steel shower seat

Unit requires no chase area for installation and maintenance. Shower valve and shower head shall be mounted on removable access panel secured with security screws. Underside of shower floor shall be sound deadened with fire resistant material.

Unit requires 2" recess in floor.



*Please provide shower finish schedule upon ordering.
(Unit may be shown with optional features)*

To specify fixture and accessories, use the Model Number and Options page.

Example: To specify a unitized 36" x 60" Roll-In Front Access Handicap Cabinet Shower with ADA-Compliant back wall shower head/push button/valving, polished front, single temp. pneumatic metering valves, standard pneumatic push buttons, 2.5 GPM flow rate, non-adjustable penel shower head and hand held Flexshower, and standard inside caulk drain

Use the following Willoughby Model Number:

US-3660-HC-FA-B-A4-PML1-MA2-PPB-2.5GPM-NPS-FX-ICD

Fixture shall be free-standing, no anchoring required.

To specify Knockdown Cabinet Shower: Select the "KS" model number from the list on the Model Number and Options page.

***NOTE:** US/KS-3660-HC is in compliance with ADA 2010 standards when equipped with valve controls mounted on the Back Wall of the fixture, adjacent to the Fold-up Shower Seat. (Specify when ordering, contact your Willoughby representative for further details.)

visit our website at www.willoughby-ind.com
5105 West 78th Street • Indianapolis, IN. 46268
(317) 875-0830 • Fax: (317) 875-0837 • (800) 428-4065



MADE IN THE U.S.A.

MODEL NUMBER AND OPTIONS:

1.) Base Model Number:

Unitized Roll-in Handicap Front Access Cabinet Shower:

US-3660-HC-FA 36"L x 60"W Cabinet Shower

Knockdown Roll-in Handicap Front Access Cabinet Shower:

KS-3660-HC-FA 36"L x 60"W Cabinet Shower

2.) Shower Head/Push Button/Valve Orientation:

- B Back Wall, ADA Compliant
 L Left Hand
 R Right Hand

3.) Cabinet Side Exterior Finish Schedule:

(Based on Chase Wall Orientation; see the Options Pages at the end of Catalog Section for diagram)

For (B) Back Wall (ADA Comp.):

- A1 Polished Front, Left Side, & Right Side
 A2 Polished Front & Right Side
 A3 Polished Front & Left Side
 A4 Polished Front only

For (L) Left Wall:

- B2 Polished Front & Right Side
 B3 Polished Front only

For (R) Right Wall:

- C2 Polished Front & Left Side
 C3 Polished Front only

4.) Valve Selection:

- NV No Valve
 PML1 Single Temp. Pneumatic Metering
 PML2 Dual Temp. Pneumatic Metering
 E1L1 Single Temp. Electronic (Pick Control)*
 E1L2 Dual Temp. Electronic (Pick Control)*
 PBV Pressure-Balancing Mixing Valve
 TPV Temp/Pressure-Balancing Mixing Valve
 TPLR Ligature-resistant Temp/Pressure-Balancing Mixing Valve

Valve Manifold Option:

*Pneumatic or Electronic Valves Only:
 (See the Manifold Option Page at the end of Catalog Section S5 for further information)*

MA2

5.) Diverter Valve:

- DV Diverter Valve
 DVLR Ligature-resistant Diverter Valve
 PML1-MA2 Two Single Temp. Pneumatic Metering Valves in Lieu of Diverter Valve

6.) Push Button Selection:

Pneumatic or Electronic Valves Only:

- PPB Pneumatic Push Buttons
 PBH Ligature-resistant Push Buttons
 EPB Electronic Push Buttons*
 EPBH Ligature-resistant Electronic Push Buttons*
 PZPB Piezo Push Buttons*

7.) Flow Rates:

- 2.5 GPM (Standard)
 2.0 GPM
 1.5 GPM

8.) Electronic Controls*

- (Must Use Electronic Push Button):**
 WUSC-2200 WUSC-2400
 Pneutronic WMS II

9.) Shower Head Selection:

- NPS Non-adjustable Penal Shower Head (Strnd.)
 FX Hand Held Flexshower w/ Quick Disconnect and Vacuum Breaker (Standard)
 APS Adjustable Penal Shower Head
 CSH Ligature-resistant Shower Head
 2HD (2) Fixed Shower Heads, Replaces (FX)

10.) Drain Selection:

- ICD Inside Caulk Cabinet Shower Drain (2") (Standard)

11.) Options:

- VG Ventilation Grille (Specify Free Area and Location; Standard Grille Dimensions: 8-3/4" x 8-3/4" with 15-3/4 in² open area)
 CP Closure Panels (Specify Dimensions and Locations)
 STC Sloping Top Closure
 CR Curtain Rod
 TH1 Release Towel Hook
 GBC Grab Bar Closure Plates
 RD Recessed Mounted Soap Dish (Standard)
 SD Surface Mounted Soap Dish
 TA Threshold Anchors
 TMV In-line Thermostatic Mixing Valve
 TF24H Hard-wired Transformer, 110VAC to 24VAC*
 TF24P Plug-in Transformer, 110VAC to 24VAC*
 LFSS Less Fold-up Stainless Steel Shower Seat (NOTE: LFSS Option will require (1) centered 48" back-wall grab bar, and (2) centered 24" side-wall grab bars (included))

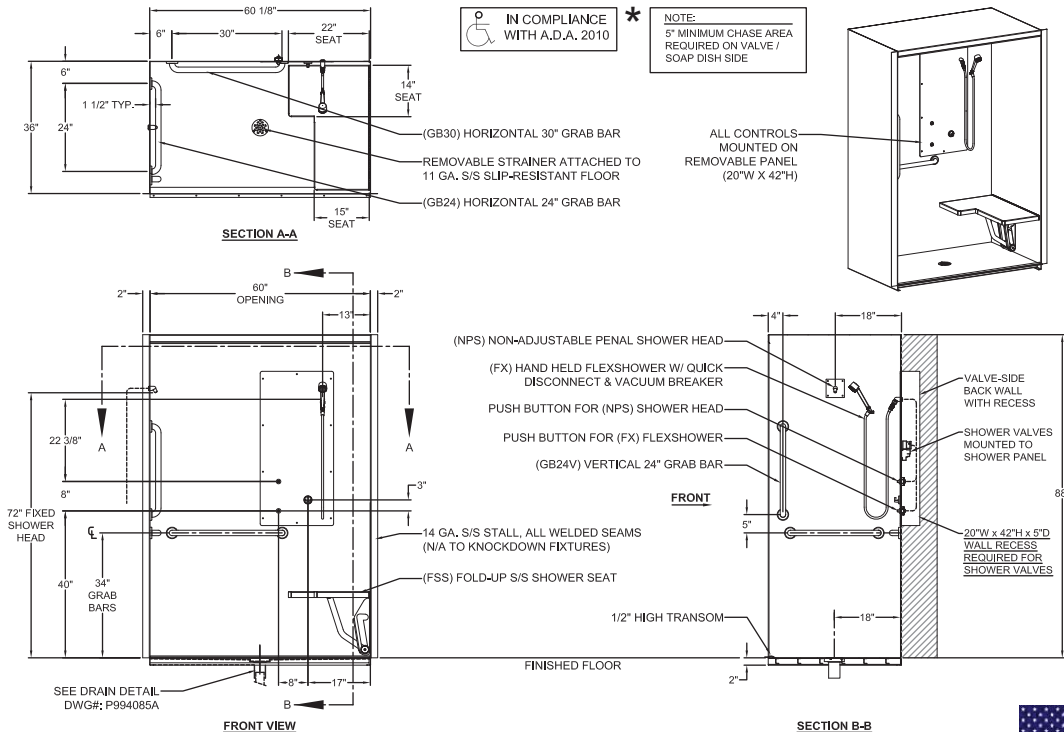
Other _____

Other _____
 *(Req. 110V power through ground fault interrupter (GFCI) receptacle)

***NOTE:** US/KS-3660-HC is in compliance with ADA 2010 standards when equipped with valve controls mounted on the Back Wall of the fixture, adjacent to the Fold-up Shower Seat. (Specify when ordering, contact your Willoughby representative for further details.)

Approved For Manufacturing By: _____ Date: _____ Company: _____
 Wall Thickness: _____ Wall Type: _____

VERIFY ALL DIMENSIONS WITH FACTORY PRIOR TO ROUGH-IN
 WILLOUGHBY RESERVES THE RIGHT TO MAKE CHANGES IN DESIGN AND DIMENSIONS WITHOUT FORMAL NOTICE AND WITHOUT INCURRING OBLIGATION.



visit our website at www.willoughby-ind.com
 5105 West 78th Street • Indianapolis, IN. 46268
 (317) 875-0830 • Fax: (317) 875-0837 • (800) 428-4065



MADE IN THE U.S.A.