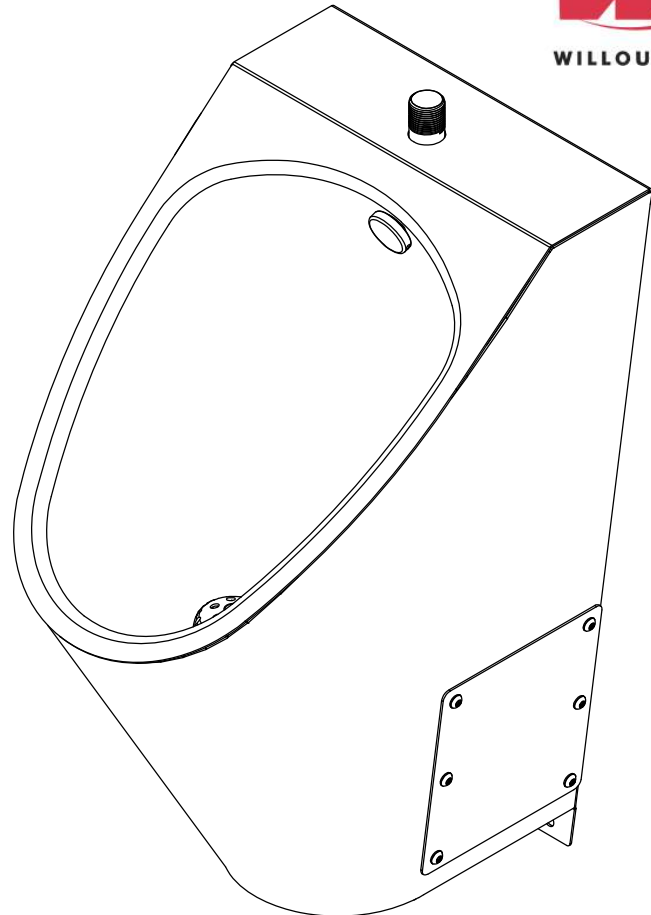




UW-1317-HEU-FA Single Person Front Access ADA-Compliant Contoured Washout Flush High Efficiency Urinal



(Unit may be shown with optional features)

To specify fixture and accessories, use the Model Number and Options page.

Example: To specify a Single Person, Front Access, ADA-Compliant, Contoured, Washout Flush, High Efficiency Urinal with top spud, 1/8 GPF, wall template, hydraulic flush valve, and ligature-resistant flush valve cover

Use the following Willoughby Model Number:
UW-1317-HEU-FA-TS-0.125-MT-FV-ASFVC

Recommended Specifications

Single Person, Front Access, ADA-Compliant, Contoured, Washout Flush, High Efficiency Urinal shall be:
Willoughby Model No. **UW-1317-HEU-FA-BS**
(Select from model number and options list on next page)

Fixture is fabricated from all 16 GA., Type 304 stainless steel. The construction shall be all-welded with exposed stainless steel surfaces polished to a satin finish. Contoured interior and exterior surfaces for ease of cleaning.

Standard equipment shall include:

- Machined stainless steel flush nozzle
- Beehive strainer
- Removable P-trap with 1-1/2" F.I.P. waste connection
- 3/4" N.P.T. male inlet connection
- Removable access cover

High Efficiency Urinal shall be washout type requiring 1/8 to 1/2 GPF flush valve and 25 PSI minimum flushing pressure. Trap shall be fully enclosed and maintain a 3" seal.

Mounting hardware by others.

Unit requires no chase area for installation and maintenance unless specified with any options requiring an accessible chase.

Urinals mounted at 17" rim height to comply with ANSI, ADA and UFAS accessibility requirements. Please consult local code as compliance is subject to the interpretation and requirements of the local code authority.

visit our website at www.willoughby-ind.com
5105 West 78th Street • Indianapolis, IN. 46268
(317) 875-0830 • Fax: (317) 875-0837 • (800) 428-4065



MADE IN THE U.S.A.

MODEL NUMBER AND OPTIONS:

1.) Base Model Number:

- UW-1317-HEU-FA Single Person, Front Access, ADA-Compliant, Contoured, Washout Flush, High Efficiency Urinal

2.) Inlet Location:

- BS Back Spud
 TS Top Spud

3.) Flush Valve GPF (Must Specify):

- 0.5 GPF High Efficiency (HEU)
 0.125 GPF High Efficiency (HEU)

4.) Options:

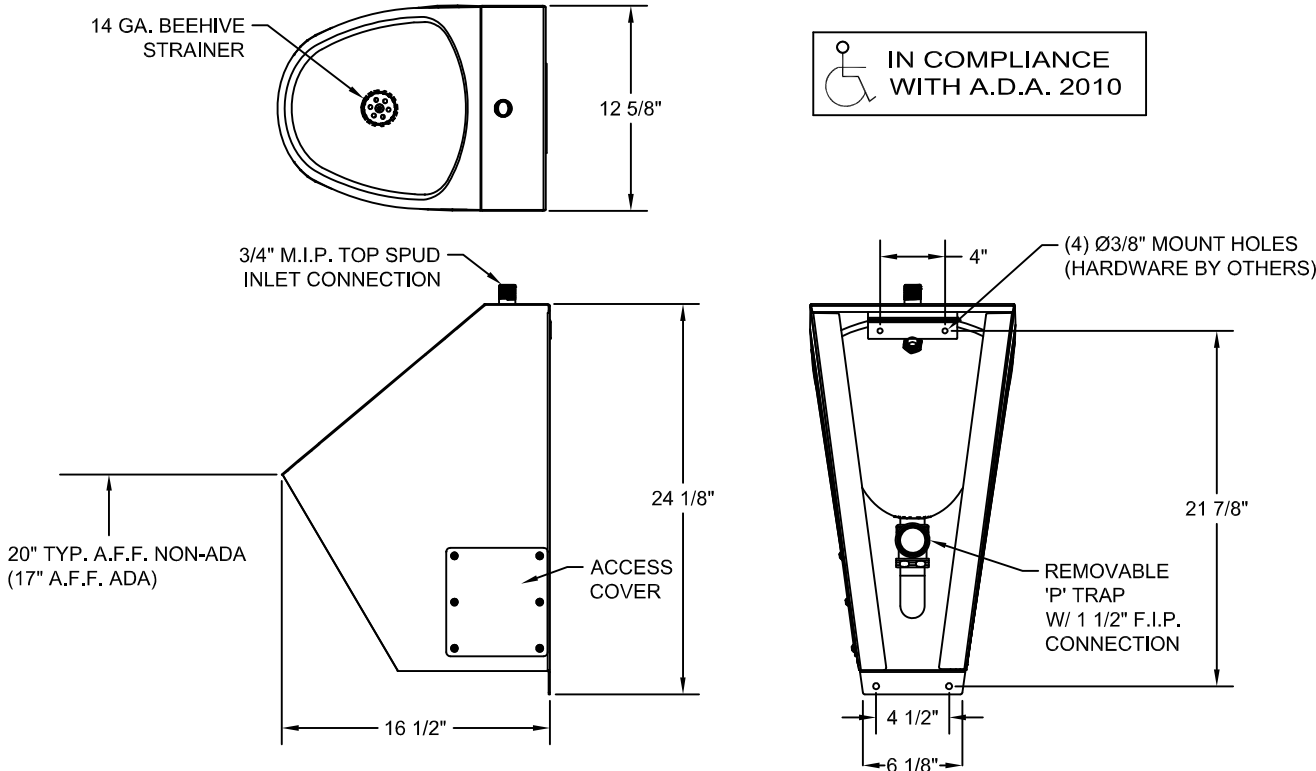
- MT Wall Template
 FV Hydraulic Flush Valve (Includes Actuator)
 EFV Electronic Flush Valve (Pick Control)*
 EFVP Electronic Flush Valve w/ (PZPB) Piezo Push Button (Pick Control)*
 ASUFVC Ligature-resistant Urinal Flush Valve Cover (Top Spud Only)
 AP Flush Valve Access Panel (Allows access to chase mounted flush valve from fixture side)
 TF24H Hard-wired Transformer, 110VAC to 24VAC*
 TF24P Plug-in Transformer, 110VAC to 24VAC*
 DC Decorator Color (Fixture exterior only - White)
 Other _____
 Other _____

5.) Electronic Controls* (Must Use Electronic Flush Valve):

- WUFC-4000 Pneutronic WMSII
 *(Req. 110V power through ground fault interrupter (GFCI) receptacle)

Approved For Manufacturing By: _____ Date: _____ Company: _____
 Wall Thickness: _____ Wall Type: _____

VERIFY ALL DIMENSIONS WITH FACTORY PRIOR TO ROUGH-IN
 WILLOUGHBY RESERVES THE RIGHT TO MAKE CHANGES IN DESIGN AND DIMENSIONS WITHOUT FORMAL NOTICE AND WITHOUT INCURRING OBLIGATION.



visit our website at www.willoughby-ind.com
 5105 West 78th Street • Indianapolis, IN. 46268
 (317) 875-0830 • Fax: (317) 875-0837 • (800) 428-4065



MADE IN THE U.S.A.