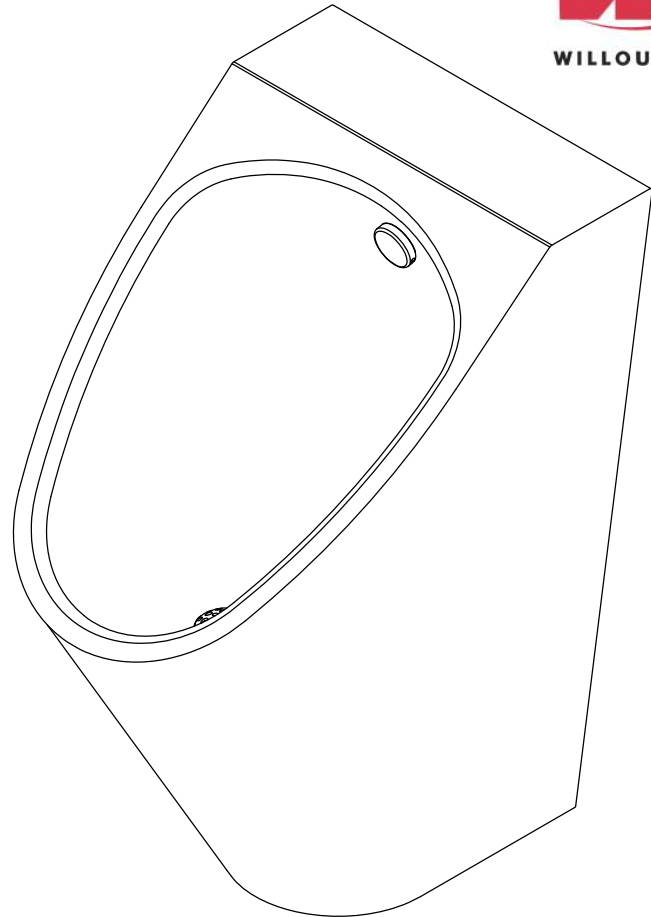




UW-1317-HEU Single Person Rear Mounted ADA-Compliant Contoured Washout Flush High Efficiency Urinal



(Unit may be shown with optional features)

To specify fixture and accessories, use the Model Number and Options page.

Example: To specify a Single Person, Rear Mounted, ADA-Compliant, Contoured, Washout Flush, High Efficiency Urinal with back spud, 1/8 GPF, wall sleeve, and hydraulic flush valve

Use the following Willoughby Model Number:

UW-1317-HEU-BS-0.125-WS-FV

Recommended Specifications

Single Person, Rear Mounted, ADA-Compliant, Contoured, Washout Flush, High Efficiency Urinal shall be:

Willoughby Model No. **UW-1317-HEU**

(Select from model number and options list on next page)

Fixture is fabricated from all 16 GA., Type 304 stainless steel. The construction shall be all-welded with exposed stainless steel surfaces polished to a satin finish. Contoured interior and exterior surfaces for ease of cleaning.

Standard equipment shall include:

- Machined stainless steel flush nozzle
- Beehive strainer
- Removable P-trap with 1-1/2" F.I.P. waste connection
- 3/4" N.P.T. male inlet connection

High Efficiency Urinal shall be washout type requiring 1/8 to 1/2 GPF flush valve and 25 PSI minimum flushing pressure. Trap shall be fully enclosed and maintain a 3" seal.

Anchoring shall be by a standard 4-point system: threaded rods, nuts and washers furnished for walls up to 8" thick.

Unit requires chase area for installation and maintenance.

Urinals mounted at 17" rim height to comply with ANSI, ADA and UFAS accessibility requirements. Please consult local code as compliance is subject to the interpretation and requirements of the local code authority.

visit our website at www.willoughby-ind.com

5105 West 78th Street • Indianapolis, IN. 46268

(317) 875-0830 • Fax: (317) 875-0837 • (800) 428-4065



MADE IN THE U.S.A.

MODEL NUMBER AND OPTIONS:

1.) Base Model Number:

- UW-1317-HEU Single Person, Rear Mounted, ADA-Compliant, Contoured, Washout Flush, High Efficiency Urinal

2.) Inlet Location:

- BS Back Spud
- TS Top Spud

3.) Flush Valve GPF (Must Specify):

- 0.5 GPF High Efficiency (HEU)
- 0.125 GPF High Efficiency (HEU)

4.) Options:

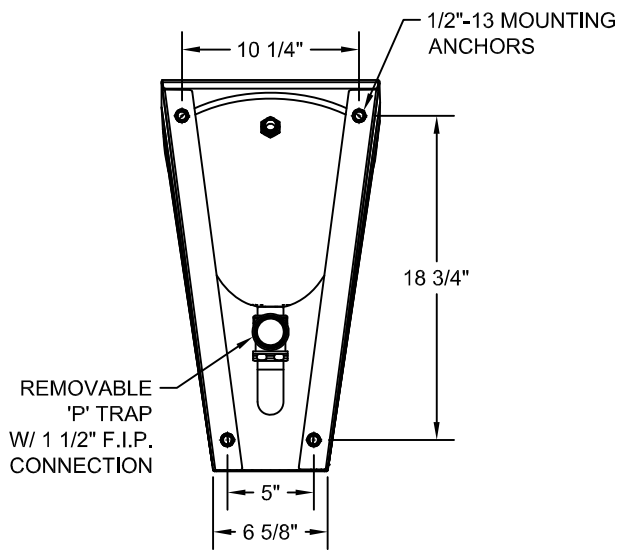
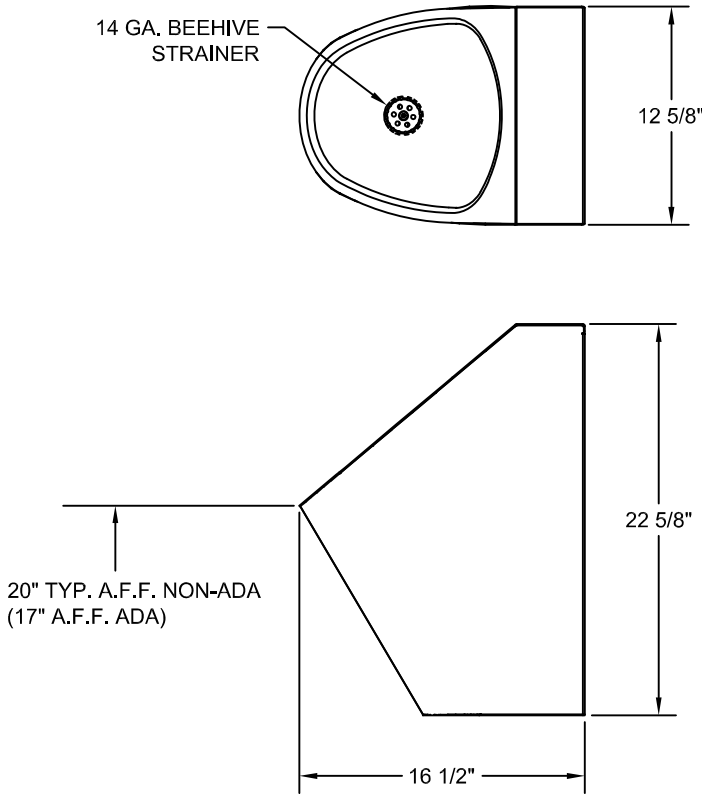
- MT Wall Template
- WS Wall Sleeve (Requires Accessible Chase)
- FV Hydraulic Flush Valve (Includes Actuator)
- EFV Electronic Flush Valve (Pick Control)*
- EFVP Electronic Flush Valve w/ (PZPB) Piezo Push Button (Pick Control)*
- ASUFVC Ligature-resistant Urinal Flush Valve Cover (Top Spud Only)
- AP Flush Valve Access Panel (Allows access to chase mounted flush valve from fixture side)
- TF24H Hard-wired Transformer, 110VAC to 24VAC*
- TF24P Plug-in Transformer, 110VAC to 24VAC*
- DC Decorator Color (Fixture exterior only - White)
- Other _____
- Other _____

5.) Electronic Controls* (Must Use Electronic Flush Valve):

- WUFC-4000 Pneutronic WMSII
- *(Req. 110V power through ground fault interrupter (GFCI) receptacle)

Approved For Manufacturing By: _____ Date: _____ Company: _____
 Wall Thickness: _____ Wall Type: _____

VERIFY ALL DIMENSIONS WITH FACTORY PRIOR TO ROUGH-IN
 WILLOUGHBY RESERVES THE RIGHT TO MAKE CHANGES IN DESIGN AND DIMENSIONS WITHOUT FORMAL NOTICE AND WITHOUT INCURRING OBLIGATION.



visit our website at www.willoughby-ind.com
 5105 West 78th Street • Indianapolis, IN. 46268
 (317) 875-0830 • Fax: (317) 875-0837 • (800) 428-4065



MADE IN THE U.S.A.