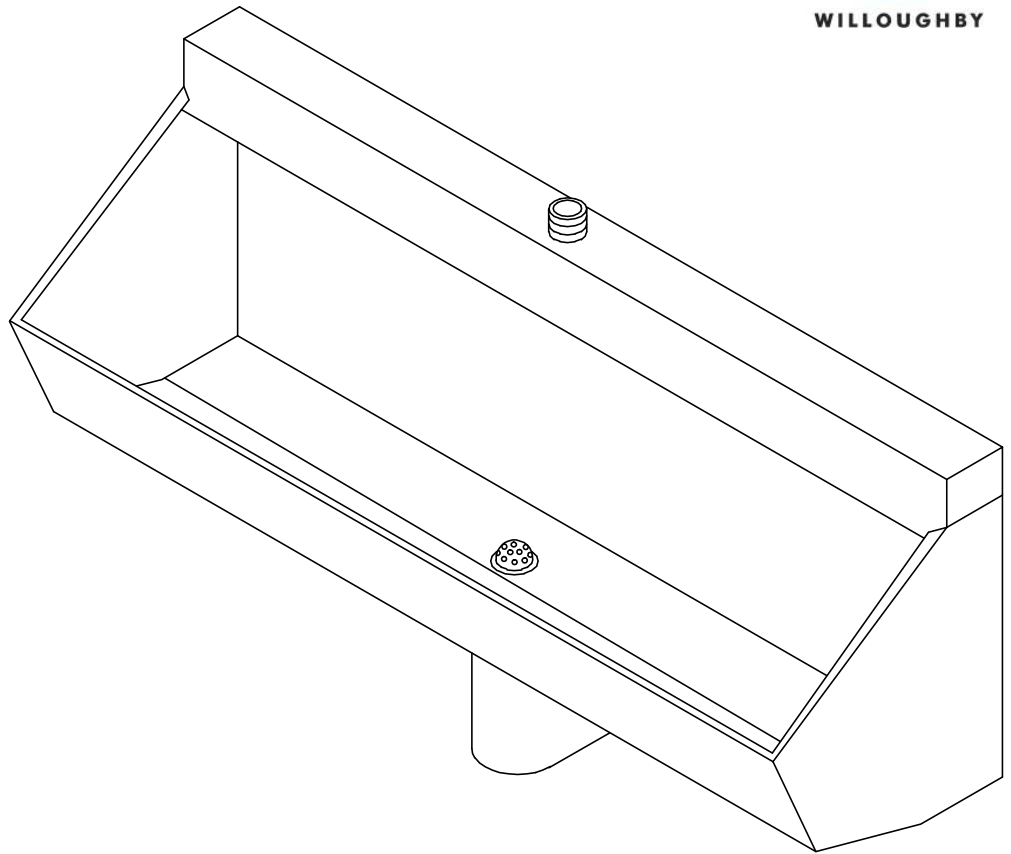


## UW-1800 Series Multi-Person Rear Mounted Washout Trough Urinal



*(Unit may be shown with optional features)*

To specify fixture and accessories, use the Model Number and Options page.

Example: To specify a Multi-Person, Rear Mounted, Washout Trough Urinal, 36" length with top spud, wall sleeve, and hydraulic flush valve

Use the following Willoughby Model Number:

**UW-1836-TS-WS-FV**

## Recommended Specifications

Multi-Person, Rear Mounted, Washout Trough Urinal shall be:  
Willoughby Model No. **UW-18**\_\_\_\_  
(Select from model number and options list on next page)

Fixture is fabricated from 14 GA., Type 304 stainless steel. The construction shall be all-welded with exposed stainless surfaces polished to a #4 satin finish.

Standard equipment shall include:

- Full perimeter 360° flushing rim
- Beehive strainer
- Integral stainless steel P-trap

Urinal shall be washout type which requires 25 PSI minimum flushing pressure. Trap shall be fully enclosed (with a removable access cover) and maintain a 3" seal.

Anchoring shall be by a standard 8-point system: threaded rods, nuts and washers furnished for walls up to 8" thick.

Unit requires chase area for installation and maintenance.

visit our website at [www.willoughby-ind.com](http://www.willoughby-ind.com)

5105 West 78th Street • Indianapolis, IN. 46268

(317) 875-0830 • Fax: (317) 875-0837 • (800) 428-4065



MADE IN THE U.S.A.

# MODEL NUMBER AND OPTIONS:

**1.) Base Model Number:**

- UW-1836      36" Multi-Person, Rear Mounted, Washout Trough Urinal (Wall Outlet)
- UW-1848      48" Multi-Person, "
- UW-1860      60" Multi-Person, "
- UW-1872      72" Multi-Person, "
- UW-1896      96" Multi-Person, "

**2.) Inlet Location:**

- BS      Back Spud
- TS      Top Spud

**3.) Flush Valve GPF (Must Specify):**

- 1.0 GPF Low Flow

**4.) Options:**

- MT      Wall Template
- WS      Wall Sleeve (Requires Accessible Chase)
- FV      Hydraulic Flush Valve (Includes Actuator)
- EFV      Electronic Flush Valve (Pick Control)\*
- EFVP      Electronic Flush Valve w/ (PZPB) Piezo Push Button (Pick Control)\*
- ASUFVC      Ligature-resistant Urinal Flush Valve Cover (Top Spud Only)
- FVT      Flush Valve Connection (Back Spud Only)
- AP      Flush Valve Access Panel (Allows access to chase mounted flush valve from fixture side)
- TF24H      Hard-wired Transformer, 110VAC to 24VAC\*
- TF24P      Plug-in Transformer, 110VAC to 24VAC\*
- Other \_\_\_\_\_

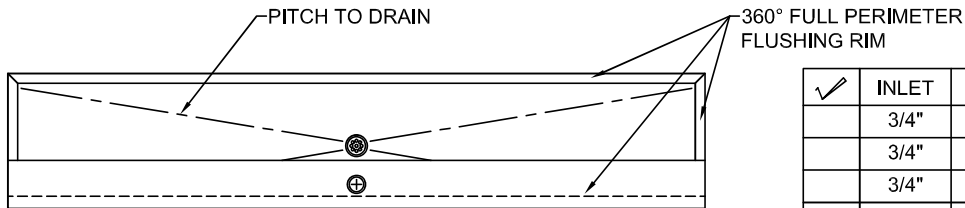
**5.) Electronic Controls\* (Must Use Electronic Flush Valve):**

- WUFC-4000       Pneutronic       WMSII

\*(Req. 110V power through ground fault interrupter (GFCI) receptacle)

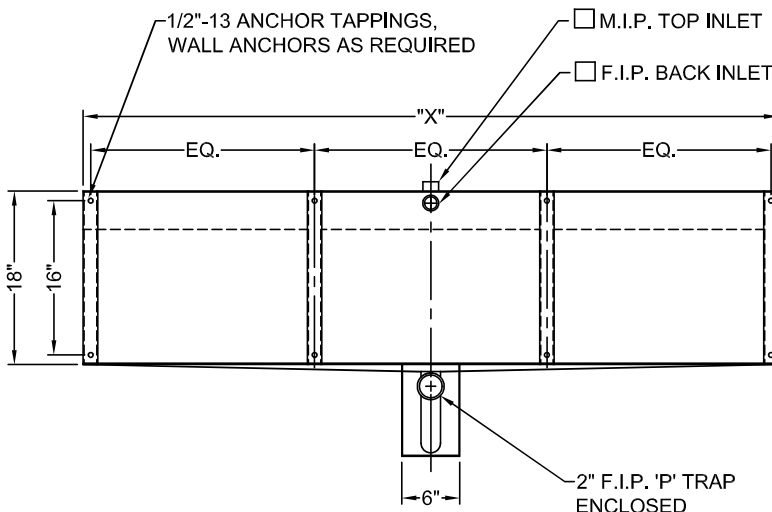
Approved For Manufacturing By: \_\_\_\_\_ Date: \_\_\_\_\_ Company: \_\_\_\_\_  
 Wall Thickness: \_\_\_\_\_ Wall Type: \_\_\_\_\_

**VERIFY ALL DIMENSIONS WITH FACTORY PRIOR TO ROUGH-IN**  
 WILLOUGHBY RESERVES THE RIGHT TO MAKE CHANGES IN DESIGN AND DIMENSIONS WITHOUT FORMAL NOTICE AND WITHOUT INCURRING OBLIGATION.

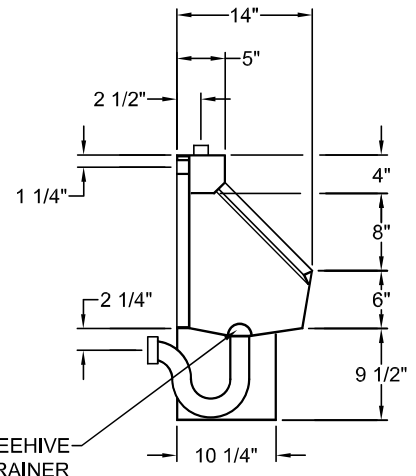


PLAN VIEW

	INLET	MODEL NO.	"X" DIM.
✓	3/4"	UW-1836	36"
	3/4"	UW-1848	48"
	3/4"	UW-1860	60"
	1-1/2"	UW-1872	72"
	1-1/2"	UW-1896	96"



REAR ELEVATION



TYP. SECTION

**visit our website at [www.willoughby-ind.com](http://www.willoughby-ind.com)**  
 5105 West 78th Street • Indianapolis, IN. 46268  
 (317) 875-0830 • Fax: (317) 875-0837 • (800) 428-4065



MADE IN THE U.S.A.