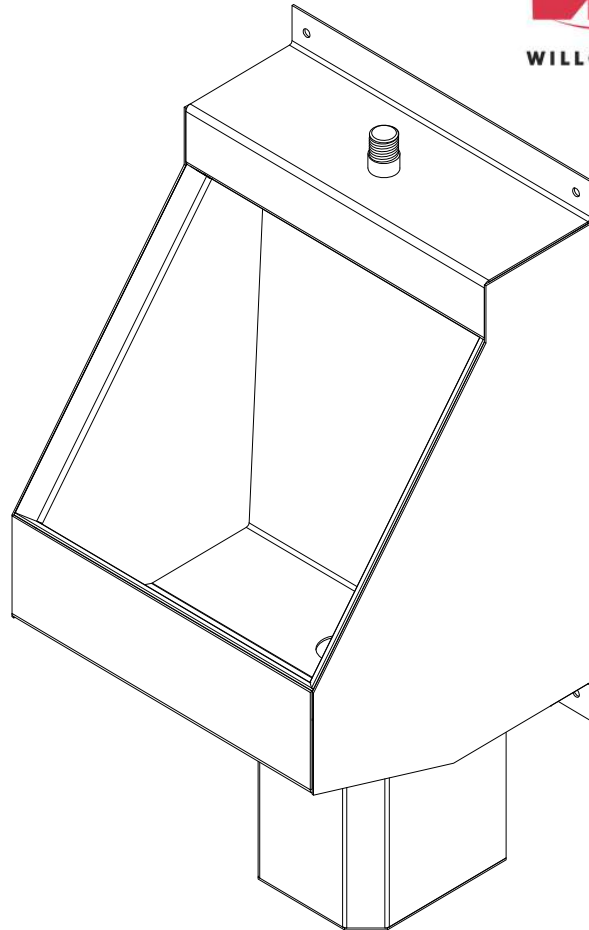


UW-1814-WO-FA Single Person Front Mounted Washout Flush Trough Urinal



(Unit may be shown with optional features)

To specify fixture and accessories, use the Model Number and Options page.

Example: To specify a Single Person, Front Mounted, Washout Flush Trough Urinal with top spud, 1.0 GPF, wall template, and hydraulic flush valve

Use the following Willoughby Model Number:
UW-1814-WO-FA-TS-1.0-MT-FV

Recommended Specifications

Single Person, Front Mounted, Washout Flush Trough Urinal shall be: Willoughby Model No. **UW-1814-WO-FA**
(Select from model number and options list on next page)

Fixture is fabricated from 14 GA., Type 304 stainless steel. The construction shall be all-welded with exposed stainless surfaces polished to a #4 satin finish.

Standard equipment shall include:

- Full perimeter 360° flushing rim
- Beehive strainer
- 1-1/2" slip-joint P-trap
- Removable P-trap access

Urinal shall be washout type which requires 25 PSI minimum flushing pressure. Trap shall be fully enclosed and maintain a 3" seal.

Anchoring shall be from 'Z' clip and anchoring holes provided. Anchoring hardware by others.

Unit requires no chase area for installation and maintenance unless specified with any options requiring an accessible chase.

MODEL NUMBER AND OPTIONS:

1.) Base Model Number:

UW-1814-WO-FA Single Person, Front Mounted, Washout Flush Trough Urinal

2.) Inlet Location:

BS Back Spud
 TS Top Spud

3.) Flush Valve GPF (Must Specify):

1.0 GPF Low Flow
 0.5 GPF High Efficiency (HEU)

4.) Options:

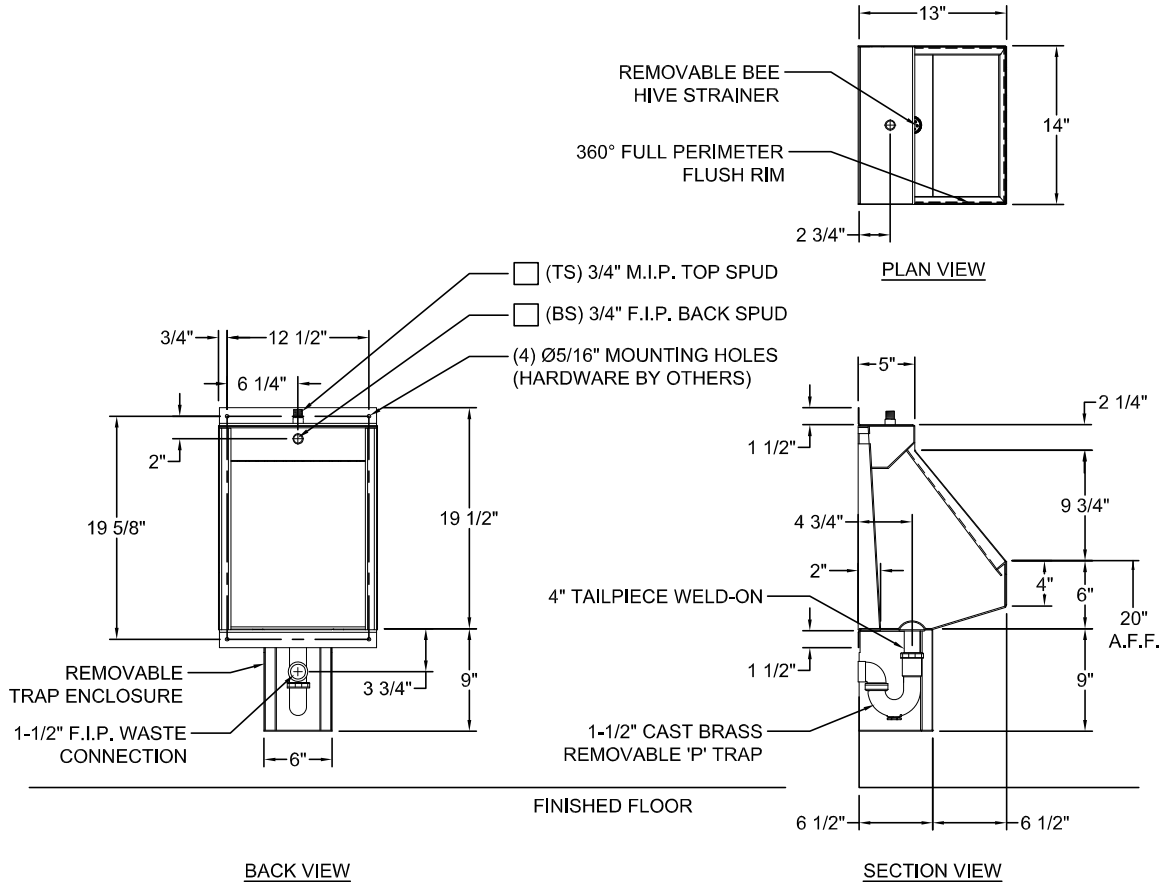
MT Wall Template
 FV Hydraulic Flush Valve (Includes Actuator)
 EFV Electronic Flush Valve (Pick Control)*
 EFVP Electronic Flush Valve w/ (PZPB) Piezo Push Button (Pick Control)*
 ASUFVC Ligature-resistant Urinal Flush Valve Cover (Top Spud Only)
 FVT Flush Valve Connection (Back Spud Only)
 AP Flush Valve Access Panel (Allows access to chase mounted flush valve from fixture side)
 TF24H Hard-wired Transformer, 110VAC to 24VAC*
 TF24P Plug-in Transformer, 110VAC to 24VAC*
 Other _____
 Other _____

5.) Electronic Controls* (Must Use Electronic Flush Valve):

WUFC-4000 Pneutronic WMSII
 *(Req. 110V power through ground fault interrupter (GFCI) receptacle)

Approved For Manufacturing By: _____ Date: _____ Company: _____
 Wall Thickness: _____ Wall Type: _____

VERIFY ALL DIMENSIONS WITH FACTORY PRIOR TO ROUGH-IN
 WILLOUGHBY RESERVES THE RIGHT TO MAKE CHANGES IN DESIGN AND DIMENSIONS WITHOUT FORMAL NOTICE AND WITHOUT INCURRING OBLIGATION.



visit our website at www.willoughby-ind.com
 5105 West 78th Street • Indianapolis, IN. 46268
 (317) 875-0830 • Fax: (317) 875-0837 • (800) 428-4065



MADE IN THE U.S.A.