

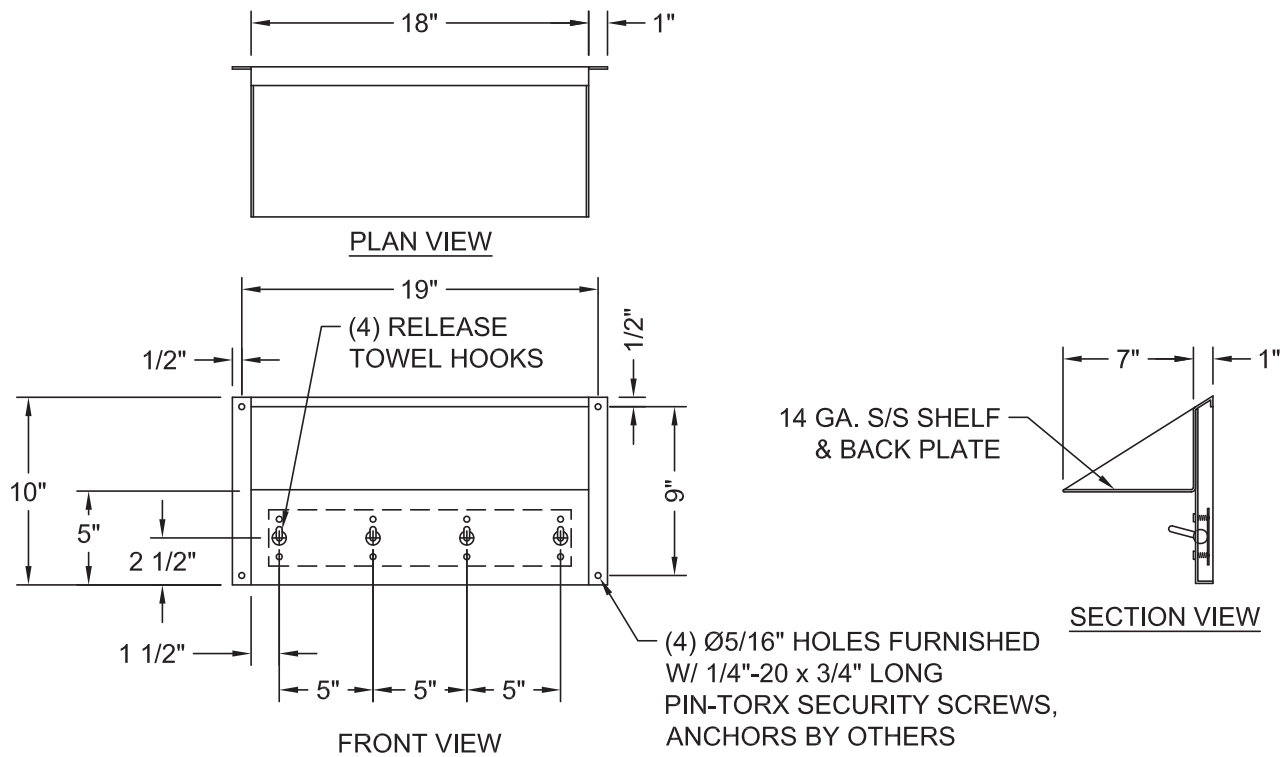
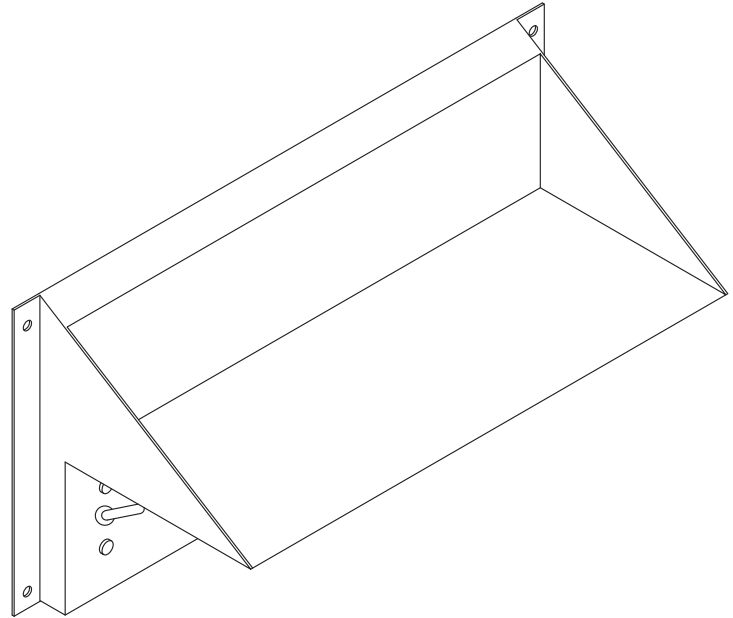
WA-1824-FA Release Towel Hook w/ Integral Shelf Front Mounted

✓	MODEL NUMBER	NUMBER OF HOOKS
	WA-1824-FA	4

WA-1824-FA release towel hook assembly with integral shelf shall be fabricated from type 304 stainless steel. Exposed stainless steel surfaces shall be polished to a #4 satin finish.

Pressure activated release towel hook(s) will support light clothing and towel loads, however, excessive hook loads will cause downward hook release.

WA-1824-FA hook assembly supplied with vandal-resistant stainless steel security screws. Wall anchors by others.



visit our website at www.willoughby-ind.com
 5105 West 78th Street • Indianapolis, IN. 46268
 (317) 875-0830 • Fax: (317) 875-0837 • (800) 428-4065



MADE IN THE U.S.A.