

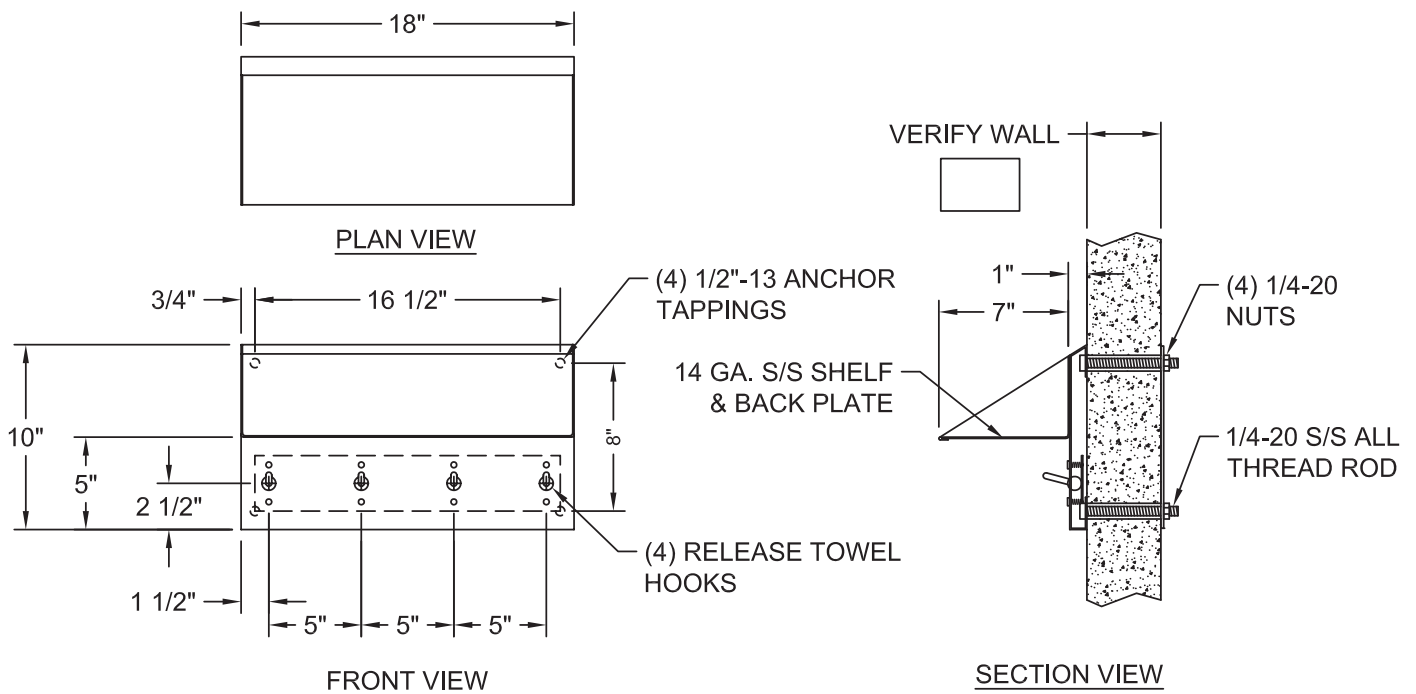
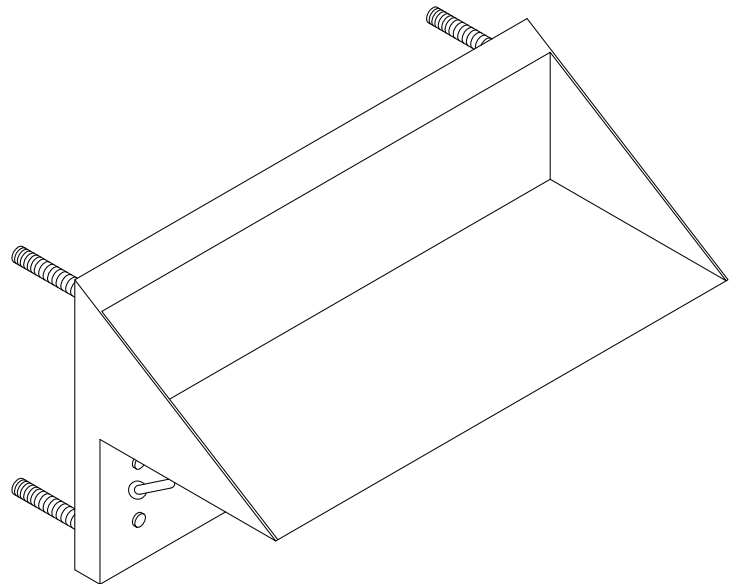
WA-1824 Release Towel Hook w/ Integral Shelf Rear Mounted

✓	MODEL NUMBER	NUMBER OF HOOKS
	WA-1824	4

WA-1824 release towel hook assembly with integral shelf shall be fabricated from type 304 stainless steel. Exposed stainless steel surfaces shall be polished to a #4 satin finish.

Pressure activated release towel hook(s) will support light clothing and towel loads, however, excessive hook loads will cause downward hook release.

WA-1824 hook assembly supplied with all thread rod, nuts and washers.



visit our website at www.willoughby-ind.com
5105 West 78th Street • Indianapolis, IN. 46268
(317) 875-0830 • Fax: (317) 875-0837 • (800) 428-4065



MADE IN THE U.S.A.