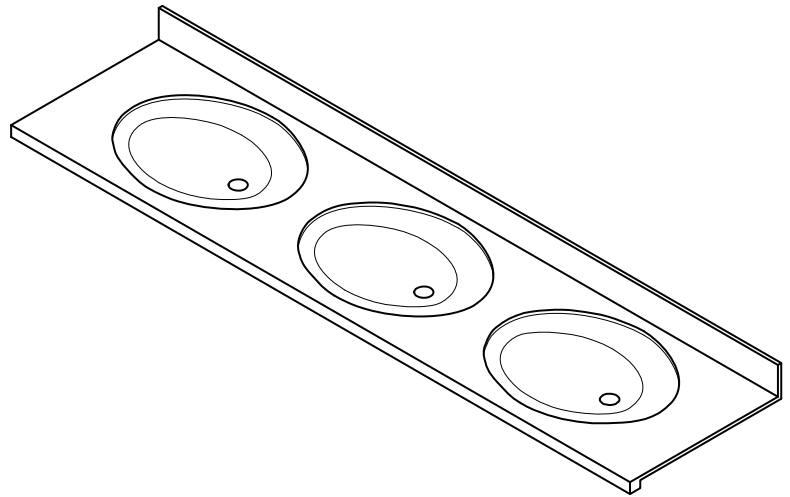


AquaDeck 2230 Series Square Front (1-1/2") Solid Surface Lavatory Deck



(Unit may be shown with optional features)

To specify fixture and accessories, use the Model Number and Options Guide.

Example: To specify an AquaDeck 2230 Series, Square Front (1-1/2"), Solid Surface Lavatory Deck with no faucet holes (standard), White Granite color, standard square-eased front edge, and right and left side splashes

Use the following Willoughby Model Number:

WAD-2230-3-NV-WG-WADSS-0422R-WADSS-0422L

Recommended Specifications

AquaDeck 2230 Series, Square Front (1-1/2"), Solid Surface Lavatory Deck shall be:

Willoughby Model No. **WAD-2230**

(Select from model number and options list on next page)

The lavatory deck shall be constructed of Aquasurf® molded cast polymer densified solid surface material composed of polyester/acrylic resin, UV stabilizer, aluminum trihydrate, and mineral fillers. The Aquasurf® solid surface material is resistant to stains, impact and burns. Surface damage can be easily repaired with everyday cleansers and/or fine grit abrasives.

AquaDeck lavatory deck shall be a modular cast component with standard integral features:

- Oval bowl with soap/faucet ledge
- 4" coved backsplash
- Straight sides
- 1-1/2" square-eased front edge
- Basin overflow
- Drain hole for 1-1/4" pop-up drain

Mounting:

Unit is designed to be supported by in-wall carriers (supplied by others). Optional stainless steel wall mounting brackets are available; specify left or right brackets when ordering.

ADA, TAS, and ANSI Compliant:

When the lavatory deck is mounted at the standard 34" adult rim height, it complies with applicable ADA, TAS, and ANSI Z124.3 and Z124.6 accessibility guidelines.

Optional Features:

AquaDeck lavatory decks offer liquid soap dispensers as optional accessories. AquaDeck lavatory decks can be ordered with Bullnosed or Beveled front edge styles instead of standard square-eased edges and/or 31" rim heights for juvenile use (JR).

visit our website at www.willoughby-ind.com
5105 West 78th Street • Indianapolis, IN. 46268
(317) 875-0830 • Fax: (317) 875-0837 • (800) 428-4065



MADE IN THE U.S.A.

MODEL NUMBER AND OPTIONS:

1.) Lavatory Model:

- WAD-2230 AquaDeck 2230 Series, Square Front (1-1/2"),
Solid Surface Lavatory Deck

2.) Number of Wash Stations:

- 1 2 3 4

3.) Hole Drilling Selection (Faucet by Others):

- NV No Faucet Holes (Standard)
 4CC 4" Centerset, Ø1-1/4" Holes (Specify 2 or 3 holes: _____)
 8CC 8" Centerset, Ø1-1/4" Holes (Specify 2 or 3 holes: _____)
 1CC Center Shank, (1) Ø1-1/4" Hole
 SP Special Drilling (Specify hole drilling dim.)
 SP: _____

4.) Solid Surface Colors:

- BN Bone
 GW Glacier White
 GG Gray Granite
 SS Sandstone
 WG White Granite
 BG Black Granite
 NB Nocturnal Blue
 RC Red Coral
 SG Sea Green

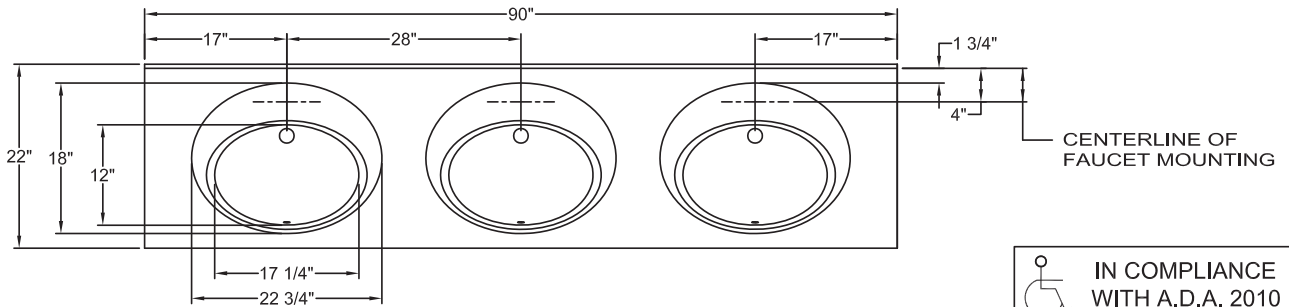
5.) Edge Style:

- Square-eased Front Edge (Standard)
 BLN Bullnosed
 BV Beveled

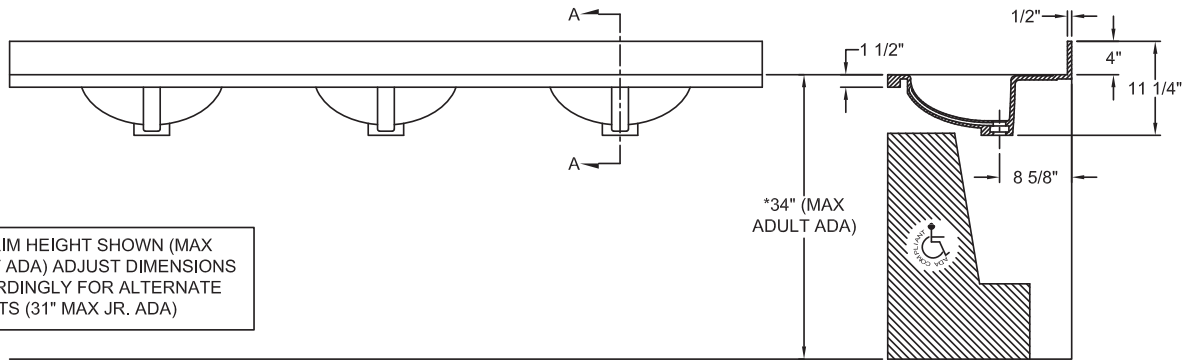
6.) Options:

- LSDM Liquid Soap Dispensers- Deck-mounted Spout and Bottle
 JR Junior Height, 31" Rim Height (JR. ADA Compliant)
 WADSS-BRKT-R Wall Mounting Bracket- Right
 WADSS-BRKT-L Wall Mounting Bracket- Left
 WADSS-0422R Right Side Splash
 WADSS-0422L Left Side Splash
 W-SS-DS Stainless Steel Modular Drain Shroud
 Other _____
 Other _____

Approved For Manufacturing By: _____ Date: _____ Company: _____
 Wall Thickness: _____ Wall Type: _____



PLAN VIEW



*NOTE: 34" RIM HEIGHT SHOWN (MAX ADULT ADA) ADJUST DIMENSIONS ACCORDINGLY FOR ALTERNATE HEIGHTS (31" MAX JR. ADA)

FRONT VIEW

FINISHED FLOOR

SECTION VIEW A-A

VERIFY ALL DIMENSIONS WITH FACTORY PRIOR TO ROUGH-IN
 WILLOUGHBY RESERVES THE RIGHT TO MAKE CHANGES IN DESIGN AND DIMENSIONS WITHOUT FORMAL NOTICE AND WITHOUT INCURRING OBLIGATION.

visit our website at www.willoughby-ind.com
 5105 West 78th Street • Indianapolis, IN. 46268
 (317) 875-0830 • Fax: (317) 875-0837 • (800) 428-4065



MADE IN THE U.S.A.