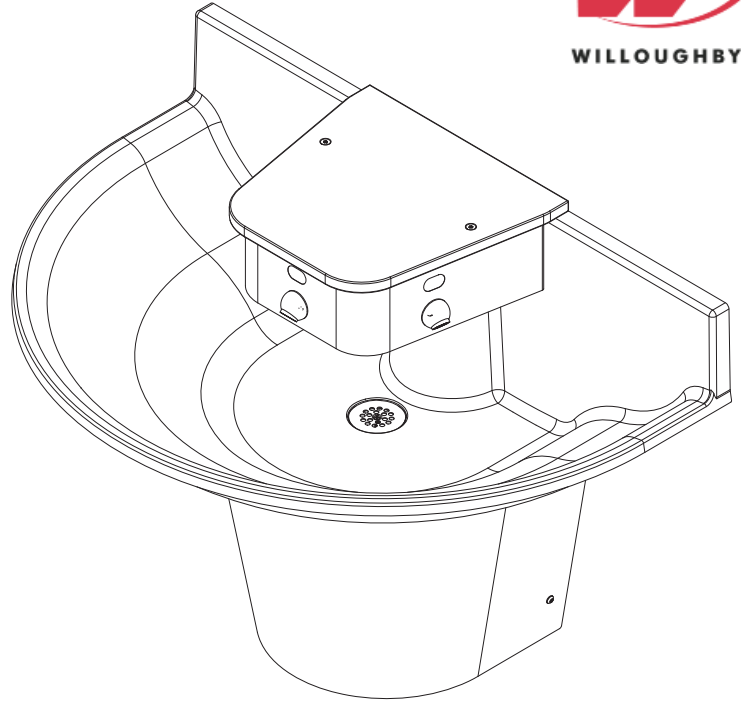


WAF-3603 AquaFount® Three Station Half Round 36" Solid Surface Deep Bowl Washfountain



(Unit may be shown with optional features)

To specify fixture and accessories, use the Model Number and Options page.

Example: To specify a three station half round 36" AquaFount® washfountain with standard wall mounting (34" rim height), hard-wired infrared sensors, in Bone color

Use the following Willoughby Model Number:
WAF-3603-WALL-IR-BN

Recommended Specifications

AquaFount® Half Round, 36" Solid Surface Washfountain shall be: Willoughby Model No. **WAF-3603** (select from model number and options list on next page)

AquaFount® washfountain shall accommodate from 1 to 3 users simultaneously. The washfountain bowl and cover are constructed of Aquasurf® molded cast polymer densified solid surface material composed of polyester/acrylic resin, UV stabilizer, aluminum trihydrate and mineral fillers. The pre-assembled water distribution heads and pedestal base shall be constructed of heavy gauge, type 304 stainless steel. Exposed stainless steel surfaces shall be polished to a #4 satin finish.

Push buttons and water spray nozzles shall be constructed of type 303 stainless steel. The drain grate shall be constructed of heavy gauge stainless steel. The pre-assembled sprayhead module shall be equipped with independent spray nozzles controlled by separate push buttons or infrared sensors. Flow restrictors shall maintain flow rates at 0.5 GPM per station.

AquaFount® washfountains shall be supplied with thermostatic mixing valves, integral checkstops, drain spuds, flexible supply hoses, control valves, color coded water lines, and Class II 120/24 VAC plug-in transformers (as needed)*. Operating supply water pressure range is 25-80 PSI.

Vandal resistance:

The spray nozzles, push buttons, infrared sensors, and escutcheons are secured to the unit from within the head kit. Valves, water supplies, and waste connections are concealed within the pedestal. Removable access panels are secured with vandal-resistant security Torx screws. The Aquasurf® solid surface material is resistant to stains, impact and burns. Surface damage can be easily repaired with everyday cleansers and/or fine grit abrasives.

ADA, TAS, and ANSI Compliant:

When the washfountain is mounted at the standard 34" adult rim height, it is designed to comply with all applicable ADA, TAS, and ANSI Z124.3 and Z124.6 accessibility guidelines.

Optional Features:

AquaFount® washfountains offer liquid soap dispensers as optional accessories. AquaFount® washfountains can be ordered with 31" rim heights for juvenile use (JR). A wall mounted stainless steel kick plate (KPWF) is available for wall-mounted pedestals with floor-based plumbing rough-ins.

* *Note:* Plug-in transformer must be used with a ground fault interrupter (GFCI) receptacle to prevent possible electrical shock.

visit our website at www.willoughby-ind.com
5105 West 78th Street • Indianapolis, IN. 46268
(317) 875-0830 • Fax: (317) 875-0837 • (800) 428-4065



MADE IN THE U.S.A.

MODEL NUMBER AND OPTIONS:

1.) Washfountain Model:

- WAF-3603 AquaFount® 3 Station 36" Half Round Deep Bowl
Solid Surface Washfountain

2.) Pedestal Type:

- WALL Wall Mounted (Standard)

3.) Junior Height Option:

- JR Junior Height (31" Rim Height, JR. ADA Compliant)

4.) Valve Actuation:

- PPB1 Standard Pneumatic Push Buttons for Single Temperature Pneumatic Metering
- PZPB1 Piezo Electronic Push Buttons for Single Temperature Electronic (w/ Pneutronic Control)*
- IR Infrared Sensors, Hard-wired*
- BO Infrared Sensors, Battery Operated

*(Req. 110V power through ground fault interrupter (GFCI) receptacle)

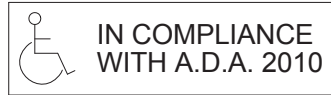
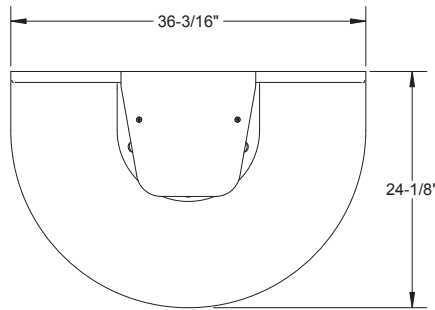
5.) Solid Surface Colors:

- BN Bone
- GW Glacier White
- GG Grey Granite
- SS Sandstone
- WG White Granite
- BG Black Granite
- NB Nocturnal Blue
- RC Red Coral
- SG Sea Green

6.) Other Options:

- LSD Liquid Soap Dispensers (2)
- TL Less In-line Thermostatic Mixing Valve
- KPWF Wall Mounted Stainless Steel Kick Plate
- LSH 1.5 gpm Laminar Flow Sprayheads
- Other _____
- Other _____

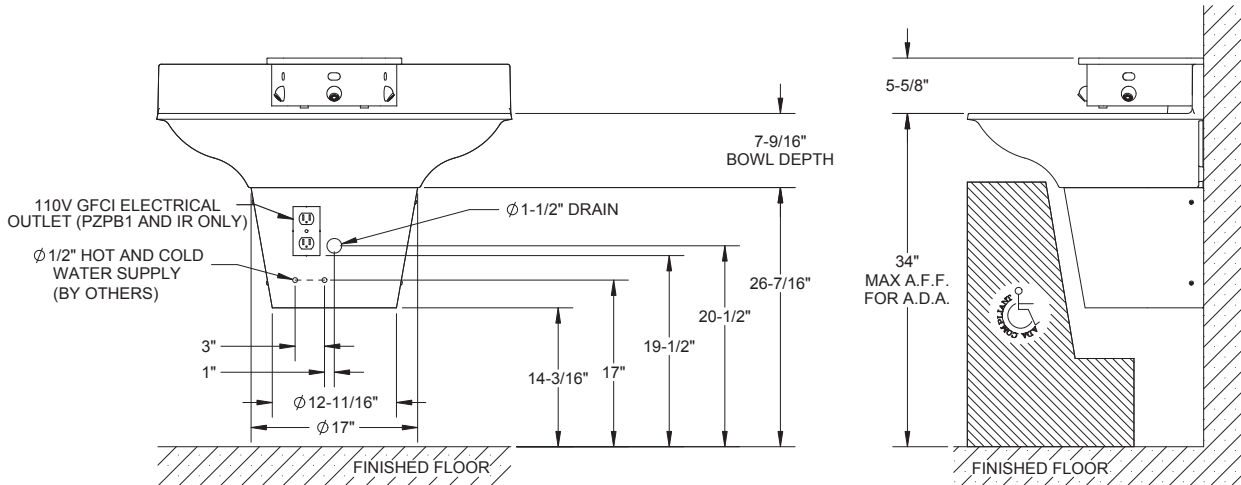
Approved For Manufacturing By: _____ Date: _____ Company: _____
 Wall Thickness: _____ Wall Type: _____



WALL MOUNTED ROUGH-IN SHOWN.
 FOR FLOOR MOUNTED ROUGH-IN,
 CONTACT FACTORY.

NOTE:
 ROUGH-IN DIMENSIONS ARE FOR A RIM
 HEIGHT OF 34" AFF.
 ADJUST DIMENSIONS ACCORDINGLY
 FOR ALTERNATE RIM HEIGHT.

VERIFY ALL DIMENSIONS WITH FACTORY PRIOR TO ROUGH-IN
 WILLOUGHBY RESERVES THE RIGHT TO MAKE CHANGES IN DESIGN AND
 DIMENSIONS WITHOUT FORMAL NOTICE AND WITHOUT INCURRING OBLIGATION.



visit our website at www.willoughby-ind.com
 5105 West 78th Street • Indianapolis, IN. 46268
 (317) 875-0830 • Fax: (317) 875-0837 • (800) 428-4065



MADE IN THE U.S.A.