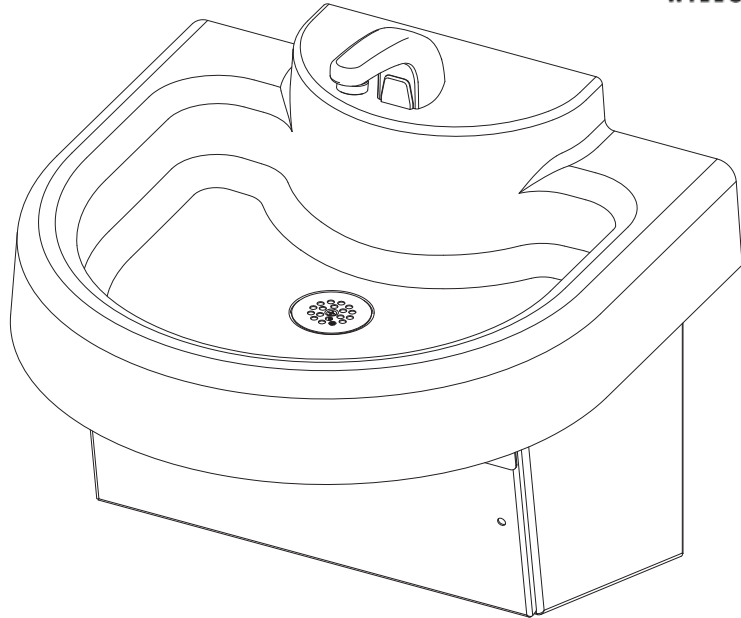


WAW-2311-DMF AquaWave® Single Station Solid Surface Lavatory System for (DMF) Deck Mounted Faucets



IN COMPLIANCE
WITH A.D.A. 2010

(FAUCETS SHOWN FOR ILLUSTRATIVE PURPOSES ONLY; FAUCETS SUPPLIED BY OTHERS)
(Unit may be shown with optional features)

To specify fixture and accessories, use the Model Number and Options page.

Example: To specify a single station AquaWave® lavatory for a deck mounted faucet with standard wall mounting, 31" junior ADA rim height, 1" Center Shank faucet hole, in Sandstone color

Use the following Willoughby Model Number:
WAW-2311-DMF-WALL-JR-1CC-SS

Recommended Specifications

AquaWave® Single Station, Solid Surface Lavatory System for use with Deck Mounted Faucet shall be:
Willoughby Model No. **WAW-2311-DMF**
(select from model number and options list on next page)

AquaWave® Lavatory System shall accommodate 1 user. The lavatory system bowl and pedestal panel are constructed of Aquasurf® molded cast polymer densified solid surface material composed of polyester/acrylic resin, UV stabilizer, aluminum trihydrate and mineral fillers. The pre-assembled low-profile pedestal base and included drain grate shall be constructed of heavy gauge, Type 304 stainless steel (the pedestal backplate is galvanized). Exposed stainless steel surfaces shall be polished to a #4 satin finish.

Vandal resistance:

Valve (by others), water supplies, and waste connection are concealed within the pedestal. Removable access panels are secured with vandal-resistant security Torx screws. The Aquasurf® solid surface material is resistant to stains, impact and burns. Surface damage can be easily repaired with everyday cleansers and/or fine grit abrasives.

ADA, TAS, and ANSI Compliant:

The lavatory is designed to comply with all applicable ADA, TAS, and ANSI Z124.3 and Z124.6 accessibility guidelines, whether mounted at standard adult rim height (34" Max AFF) or junior height (31" Max AFF).

Optional Features:

AquaWave® Lavatory Systems offer liquid soap dispensers as optional accessories.

visit our website at www.willoughby-ind.com

5105 West 78th Street • Indianapolis, IN. 46268
(317) 875-0830 • Fax: (317) 875-0837 • (800) 428-4065



MADE IN THE U.S.A.

MODEL NUMBER AND OPTIONS:

1.) Washfountain Model:

- WAW-2311-DMF AquaWave® 1 Station Solid Surface Lavatory System for Deck Mounted Faucet

2.) Pedestal Type:

- WALL Wall Mounted, Low-profile, with Solid Surface Panels (Standard)
- WSPS Wall Mounted, Low-profile, All-Stainless Steel Shroud

3.) Faucet Drilling:

- NV No Valve, No Faucet Holes (Standard)
- 4CC Set of 4" Centerset, Ø1-1/4" Holes (Specify 2 or 3 holes: ___)
- 8CC Set of 8" Centerset, Ø1-1/4" Holes (Specify 2 or 3 holes: ___)
- 1CC Center Shank, (1) Ø1-1/4" Hole
- SP Special Drilling (Specify hole diameter and dimensions)
SP: _____

4.) Solid Surface Colors:

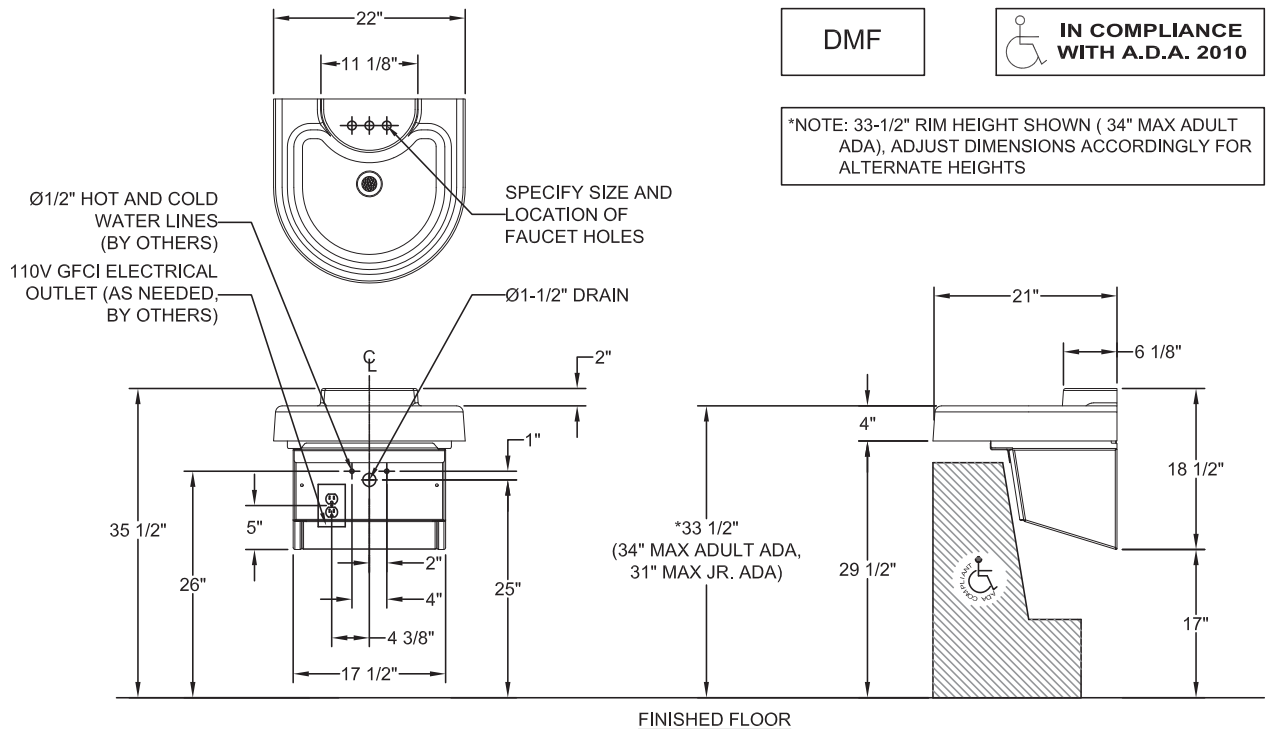
- BN Bone
- GW Glacier White
- GG Grey Granite
- SS Sandstone
- WG White Granite
- BG Black Granite
- NB Nocturnal Blue
- RC Red Coral
- SG Sea Green

5.) Other Options:

- LSDM Liquid Soap Dispenser- Deck-mounted Spout and Bottle
- Other _____
- Other _____

Approved For Manufacturing By: _____ Date: _____ Company: _____
 Wall Thickness: _____ Wall Type: _____

VERIFY ALL DIMENSIONS WITH FACTORY PRIOR TO ROUGH-IN
 WILLOUGHBY RESERVES THE RIGHT TO MAKE CHANGES IN DESIGN AND DIMENSIONS WITHOUT FORMAL NOTICE AND WITHOUT INCURRING OBLIGATION.



visit our website at www.willoughby-ind.com
 5105 West 78th Street • Indianapolis, IN. 46268
 (317) 875-0830 • Fax: (317) 875-0837 • (800) 428-4065



MADE IN THE U.S.A.