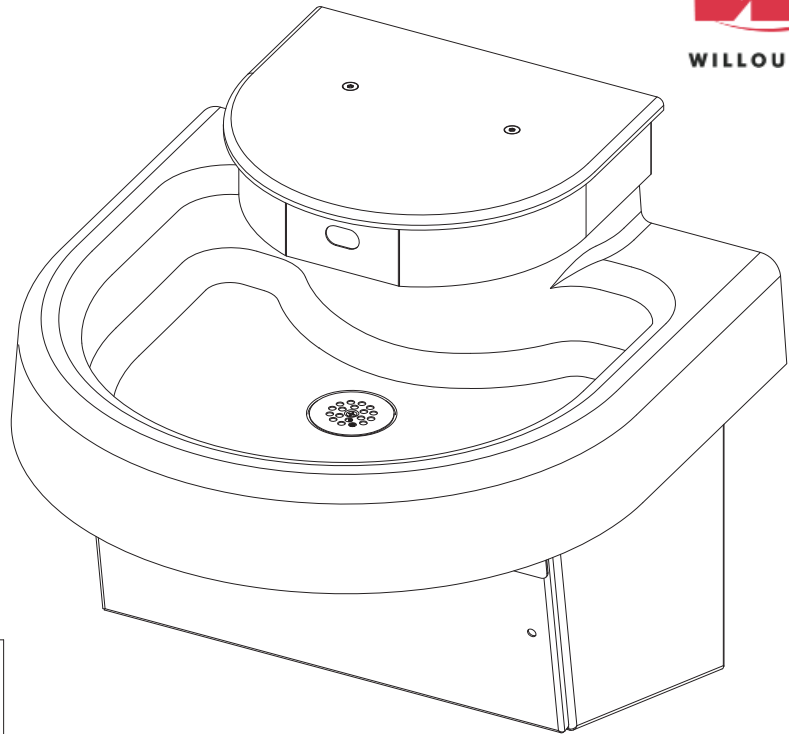


WAW-2311 AquaWave® Single Station Solid Surface Lavatory System



(Unit may be shown with optional features)

To specify fixture and accessories, use the Model Number and Options page.

Example: To specify a single station AquaWave® lavatory with wall mounting, hard-wired infrared sensor actuation, and Bone color

Use the following Willoughby Model Number:
WAW-2311-WALL-IR-BN

Recommended Specifications

AquaWave® Single Station, Solid Surface Lavatory System shall be: Willoughby Model No. **WAW-2311** (select from model number and options list on next page).

AquaWave® Lavatory System shall accommodate 1 user. The lavatory system bowl, top, and pedestal panel are constructed of Aquasurf® molded cast polymer densified solid surface material composed of polyester/acrylic resin, UV stabilizer, aluminum trihydrate and mineral fillers. The pre-assembled water distribution head and low-profile pedestal base shall be constructed of heavy gauge, Type 304 stainless steel (the pedestal backplate is galvanized). Exposed stainless steel surfaces shall be polished to a #4 satin finish.

Push button and water spray nozzle shall be constructed of type 303 stainless steel. The drain grate shall be constructed of heavy gauge stainless steel. The pre-assembled sprayhead module shall be equipped with independent spray nozzle controlled by a push button or infrared sensor. Flow restrictor shall maintain flow rates at 0.5 GPM per station.

AquaWave® Lavatory Systems shall be supplied with thermostatic mixing valves, integral checkstops, drain spuds, flexible supply hoses, control valves, color coded water lines, and Class II 120/24 VAC plug-in transformers (as needed)*. Operating supply water pressure range is 25-80 PSI.

Vandal resistance:

The spray nozzles, push buttons, infrared sensors, and escutcheons are secured to the unit from within the head kit. Valves, water supplies, and waste connections are concealed within the pedestal. Removable access panels are secured with vandal-resistant security Torx screws. The Aquasurf® solid surface material is resistant to stains, impact and burns. Surface damage can be easily repaired with everyday cleansers and/or fine grit abrasives.

ADA, TAS, and ANSI Compliant:

The lavatory is designed is designed to comply with all applicable ADA, TAS, and ANSI Z124.3 and Z124.6 accessibility guidelines, whether mounted at standard adult rim height (34" Max AFF) or junior height (31" Max AFF).

Optional Features:

AquaWave® Lavatory Systems offer liquid soap dispensers as optional accessories.

* *Note:* Plug-in transformer must be used with a ground fault interrupter (GFCI) receptacle to prevent possible electrical shock.

visit our website at www.willoughby-ind.com
5105 West 78th Street • Indianapolis, IN. 46268
(317) 875-0830 • Fax: (317) 875-0837 • (800) 428-4065



MADE IN THE U.S.A.

MODEL NUMBER AND OPTIONS:

1.) Washfountain Model:

- WAW-2311 AquaWave® 1 Station Solid Surface Lavatory System

2.) Pedestal Type:

- WALL Wall Mounted, Low-profile, with Solid Surface Panels (Standard)
 WSPS Wall Mounted, Low-profile, All-Stainless Steel Shroud

3.) Valve Actuation:

- PPB1 Standard Pneumatic Push Button for Single Temperature Pneumatic Metering
 PPB2 Standard Pneumatic Push Buttons for Dual Temperature Pneumatic Metering
 PZPB1 Piezo Electronic Push Button for Single Temperature Electronic (w/ Pneutronic Control)*
 PZPB2 Piezo Electronic Push Buttons for Dual Temperature Electronic (w/ Pneutronic Control)*
 IR Infrared Sensors, Hard-wired*
 BO Infrared Sensors, Battery Operated

4.) Solid Surface Colors:

- BN Bone
 GW Glacier White
 GG Grey Granite
 SS Sandstone
 WG White Granite
 BG Black Granite
 NB Nocturnal Blue
 RC Red Coral
 SG Sea Green

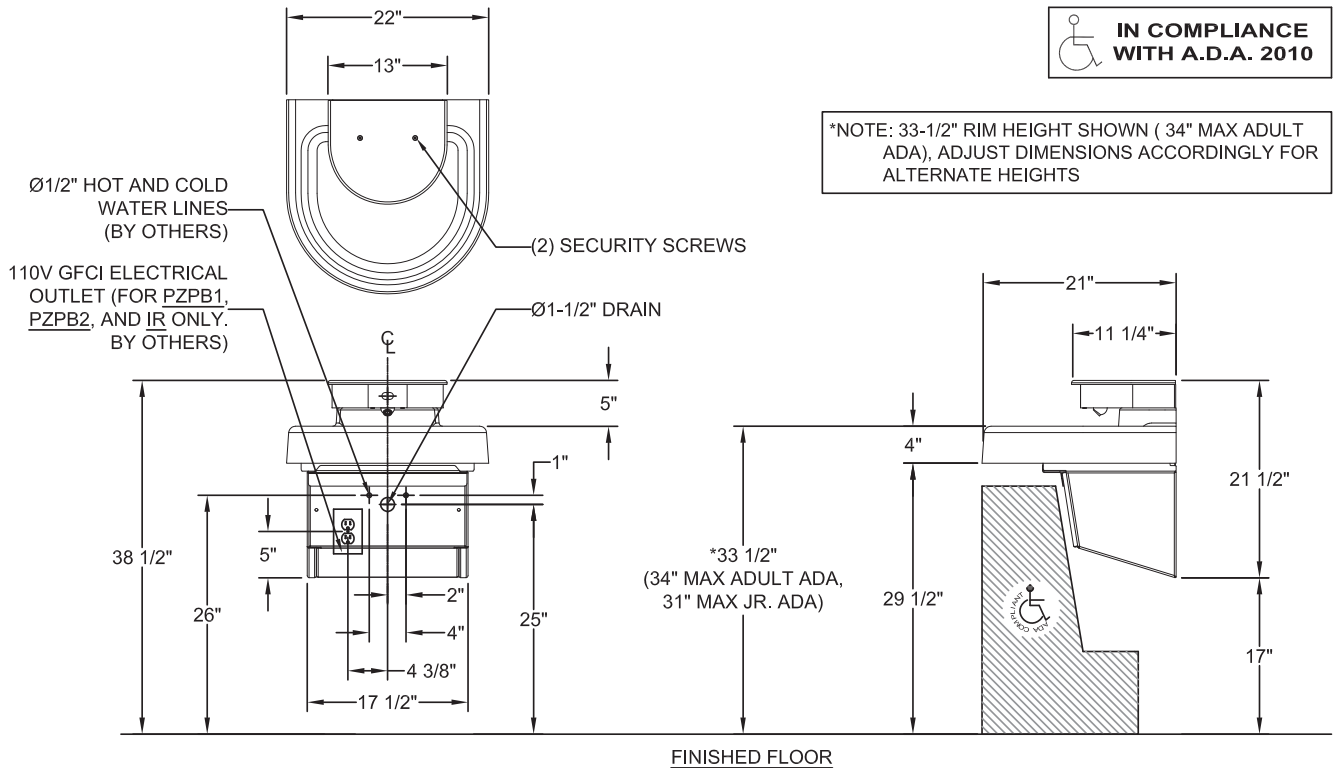
5.) Other Options:

- LSDM Liquid Soap Dispenser- Deck-mounted Spout and Bottle
 TL Less In-line Thermostatic Mixing Valve
 LSH 1.5 gpm Laminar Flow Sprayhead
 Other _____
 Other _____

*(Req. 110V power through ground fault interrupter (GFCI) receptacle)

Approved For Manufacturing By: _____ Date: _____ Company: _____
 Wall Thickness: _____ Wall Type: _____

VERIFY ALL DIMENSIONS WITH FACTORY PRIOR TO ROUGH-IN
 WILLOUGHBY RESERVES THE RIGHT TO MAKE CHANGES IN DESIGN AND DIMENSIONS WITHOUT FORMAL NOTICE AND WITHOUT INCURRING OBLIGATION.



visit our website at www.willoughby-ind.com
 5105 West 78th Street • Indianapolis, IN. 46268
 (317) 875-0830 • Fax: (317) 875-0837 • (800) 428-4065



MADE IN THE U.S.A.