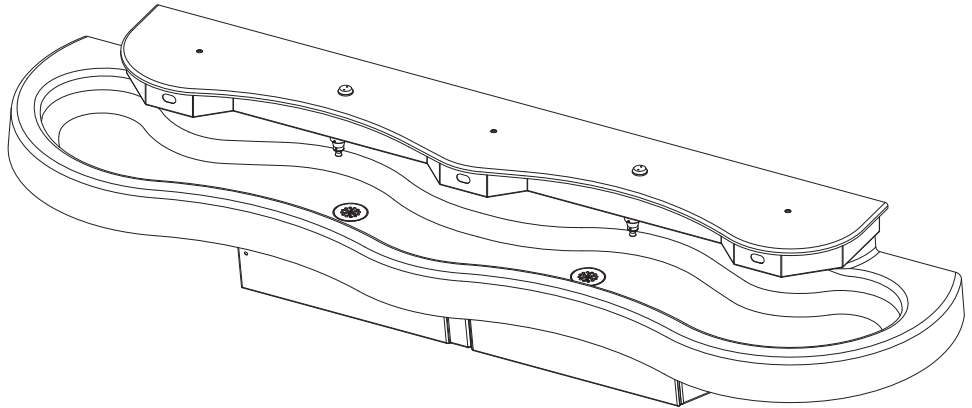


## WAW-2333 AquaWave® Three Station Solid Surface Lavatory System



*(Unit may be shown with optional features)*

To specify fixture and accessories, use the Model Number and Options page.

Example: To specify a three station AquaWave® lavatory with standard wall mounting (34" rim height), battery operated infrared sensors, Grey Granite color, and liquid soap dispensers

Use the following Willoughby Model Number:

**WAW-2333-WALL-BO-GG-LSD**

### Recommended Specifications

AquaWave® Three Station, Solid Surface Lavatory System shall be: Willoughby Model No. **WAW-2333** (select from model number and options list on next page)

AquaWave® Lavatory System shall accommodate 1-3 users simultaneously. The lavatory system bowl, top, and pedestal panels are constructed of Aquasurf® molded cast polymer densified solid surface material composed of polyester/acrylic resin, UV stabilizer, aluminum trihydrate and mineral fillers. The pre-assembled water distribution head and low-profile pedestal base shall be constructed of heavy gauge, Type 304 stainless steel (the pedestal backplate is galvanized). Exposed stainless steel surfaces shall be polished to a #4 satin finish.

Push buttons and water spray nozzles shall be constructed of type 303 stainless steel. The drain grates shall be constructed of heavy gauge stainless steel. The pre-assembled sprayhead module shall be equipped with independent spray nozzles controlled by push buttons or infrared sensors. Flow restrictors shall maintain flow rates at 0.5 GPM per station.

AquaWave® Lavatory Systems shall be supplied with thermostatic mixing valves, integral checkstops, drain spuds, flexible supply hoses, control valves, color coded water lines, and Class II 120/24 VAC plug-in transformers (as needed)\*. Operating supply water pressure range is 25-80 PSI.

#### Vandal resistance:

The spray nozzles, push buttons, infrared sensors, and escutcheons are secured to the unit from within the head kit. Valves, water supplies, and waste connections are concealed within the pedestal. Removable access panels are secured with vandal-resistant security Torx screws. The Aquasurf® solid surface material is resistant to stains, impact and burns. Surface damage can be easily repaired with everyday cleansers and/or fine grit abrasives.

#### ADA, TAS, and ANSI Compliant:

The lavatory is designed is designed to comply with all applicable ADA, TAS, and ANSI Z124.3 and Z124.6 accessibility guidelines, whether mounted at standard adult rim height (34" Max AFF) or (JR) junior height (31" Max AFF).

#### Optional Features:

AquaWave® Lavatory Systems offer liquid soap dispensers as optional accessories. A wall mounted stainless steel kick plate (KPWF) is available for installations with floor-based plumbing rough-ins.

\* *Note:* Plug-in transformer must be used with a ground fault interrupter (GFCI) receptacle to prevent possible electrical shock.

visit our website at [www.willoughby-ind.com](http://www.willoughby-ind.com)  
5105 West 78th Street • Indianapolis, IN. 46268  
(317) 875-0830 • Fax: (317) 875-0837 • (800) 428-4065



MADE IN THE U.S.A.

# MODEL NUMBER AND OPTIONS:

## 1.) Washfountain Model:

- WAW-2333 AquaWave® 3 Station Solid Surface Lavatory System

## 2.) Pedestal Type:

- WALL Wall Mounted, Low-profile, with Solid Surface Panels (Standard)  
 WSPS Wall Mounted, Low-profile, All-Stainless Steel Shroud

## 3.) Junior Height Option:

- JR Junior Height (31" Rim Height, JR. ADA Compliant)

## 4.) Valve Actuation:

- PPB1 Standard Pneumatic Push Buttons for Single Temperature Pneumatic Metering  
 PZPB1 Piezo Electronic Push Buttons for Single Temperature Electronic (w/ Pneumatic Control)\*  
 IR Infrared Sensors, Hard-wired\*  
 BO Infrared Sensors, Battery Operated

## 5.) Solid Surface Colors:

- BN Bone  
 GW Glacier White  
 GG Grey Granite  
 SS Sandstone  
 WG White Granite  
 BG Black Granite  
 NB Nocturnal Blue  
 RC Red Coral  
 SG Sea Green

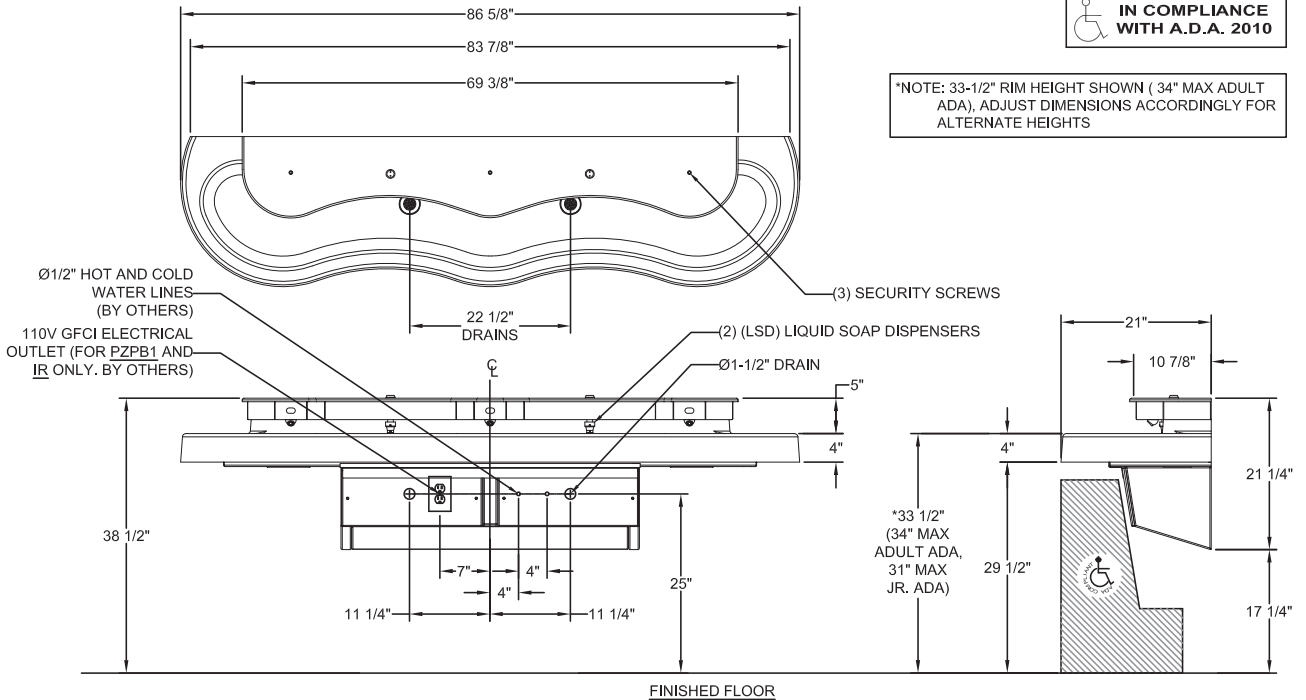
## 6.) Other Options:

- LSD Liquid Soap Dispensers (2)  
 TL Less In-line Thermostatic Mixing Valve  
 KPWW Wall Mounted Stainless Steel Kick Plate  
 LSH 1.5 gpm Laminar Flow Sprayheads  
 Other \_\_\_\_\_  
 Other \_\_\_\_\_

\*(Req. 110V power through ground fault interrupter (GFCI) receptacle)

Approved For Manufacturing By: \_\_\_\_\_ Date: \_\_\_\_\_ Company: \_\_\_\_\_  
 Wall Thickness: \_\_\_\_\_ Wall Type: \_\_\_\_\_

**VERIFY ALL DIMENSIONS WITH FACTORY PRIOR TO ROUGH-IN**  
 WILLOUGHBY RESERVES THE RIGHT TO MAKE CHANGES IN DESIGN AND DIMENSIONS WITHOUT FORMAL NOTICE AND WITHOUT INCURRING OBLIGATION.



visit our website at [www.willoughby-ind.com](http://www.willoughby-ind.com)  
 5105 West 78th Street • Indianapolis, IN. 46268  
 (317) 875-0830 • Fax: (317) 875-0837 • (800) 428-4065



MADE IN THE U.S.A.