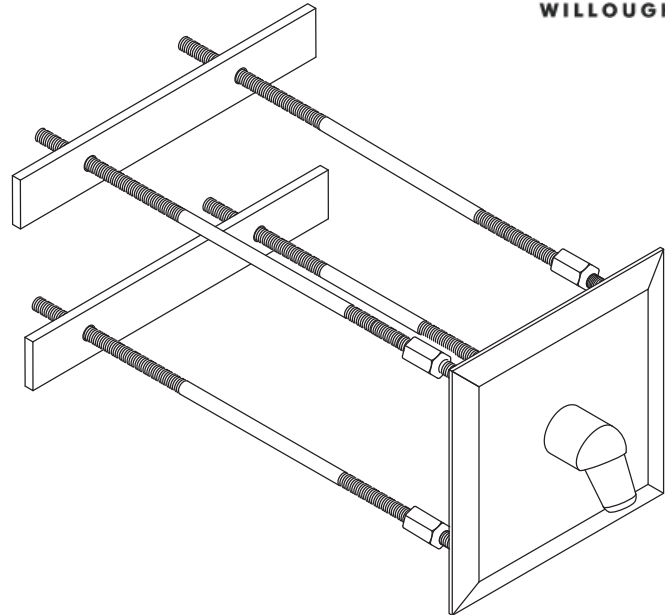


WBIS Series Rear Mounted Built-In Shower



Recommended Specifications

Rear Mounted Built-In Shower shall be:
Willoughby Model No. **WBIS**
(Select from model number and options list on next page)

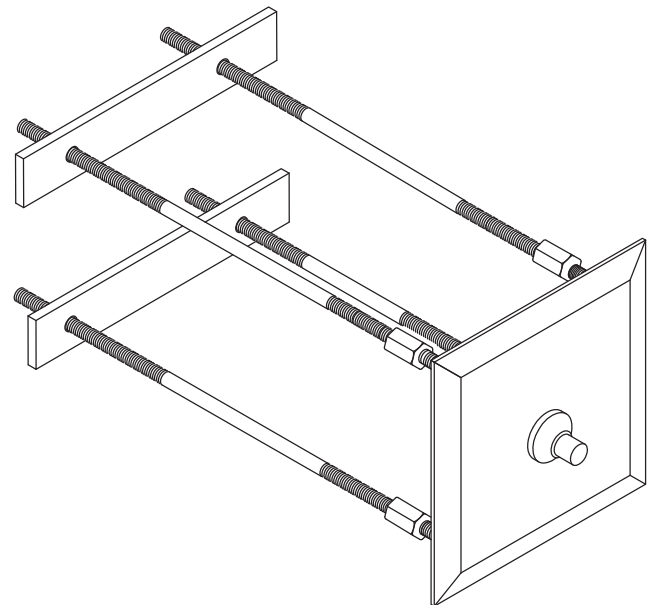
Shower head and valve push button face plates shall be fabricated from 14 gauge, Type 304 stainless steel with exposed stainless surfaces polished to a #4 satin finish.

Standard equipment shall include:
- Shower valve (Select from Valve Selection options list)
- (NPS) non-adjustable penal shower head

Anchoring of each component shall be by standard 4-point system: 1/4" threaded rods, nuts and backing bars furnished for walls up to 8" thick. Unit requires chase area for installation and maintenance.

Handicap Accessible:

The WBIS can be installed to conform to most ADA requirements.
(Compliance shall be subject to the requirements of the local code authority based on installation-specific details and is the responsibility of the installer.)



(Unit may be shown with optional features)

To specify fixture and accessories, use the Model Number and Options page.

Example: To specify a Rear Mounted Built-In Shower with single temp. pneumatic metering valve, standard pneumatic push button, 2.5 GPM flow rate, standard (NPS) shower head, in-line thermostatic mixing valve, and separate recessed mounted soap dish

Use the following Willoughby Model Number:
WBIS-PML1-PPB-2.5GPM-NPS-TMV-RSD1

visit our website at www.willoughby-ind.com
5105 West 78th Street • Indianapolis, IN. 46268
(317) 875-0830 • Fax: (317) 875-0837 • (800) 428-4065



MADE IN THE U.S.A.

MODEL NUMBER AND OPTIONS:

1.) Base Model Number:

- WBIS Rear Mounted Built-In Shower

2.) Valve Selection:

- NV No Valve
 PML1 Single Temp. Pneumatic Metering
 PML2 Dual Temp. Pneumatic Metering
 E1L1 Single Temp. Electronic (Pick Control)*
 E1L2 Dual Temp. Electronic (Pick Control)*
 MA2 **Valve Manifold Option** (Pneumatic or Electronic Valves Only):
(See the Manifold Option Page at the end of Catalog Section S5 for further information)

3.) Push Button Selection:

Pneumatic or Electronic Valves Only:

- PPB Pneumatic Push Buttons
 PBH Ligature-resistant Push Buttons
 EPB Electronic Push Buttons*
 EPBH Ligature-resistant Electronic Push Buttons*
 PZPB Piezo Push Buttons*

4.) Flow Rates:

- 2.5 GPM (Standard) 2.0 GPM 1.5 GPM

5.) Electronic Controls* (Must Use Electronic Push Button):

- WUSC-2200 WUSC-2400 Pneutronic WMS II

6.) Shower Head Selection:

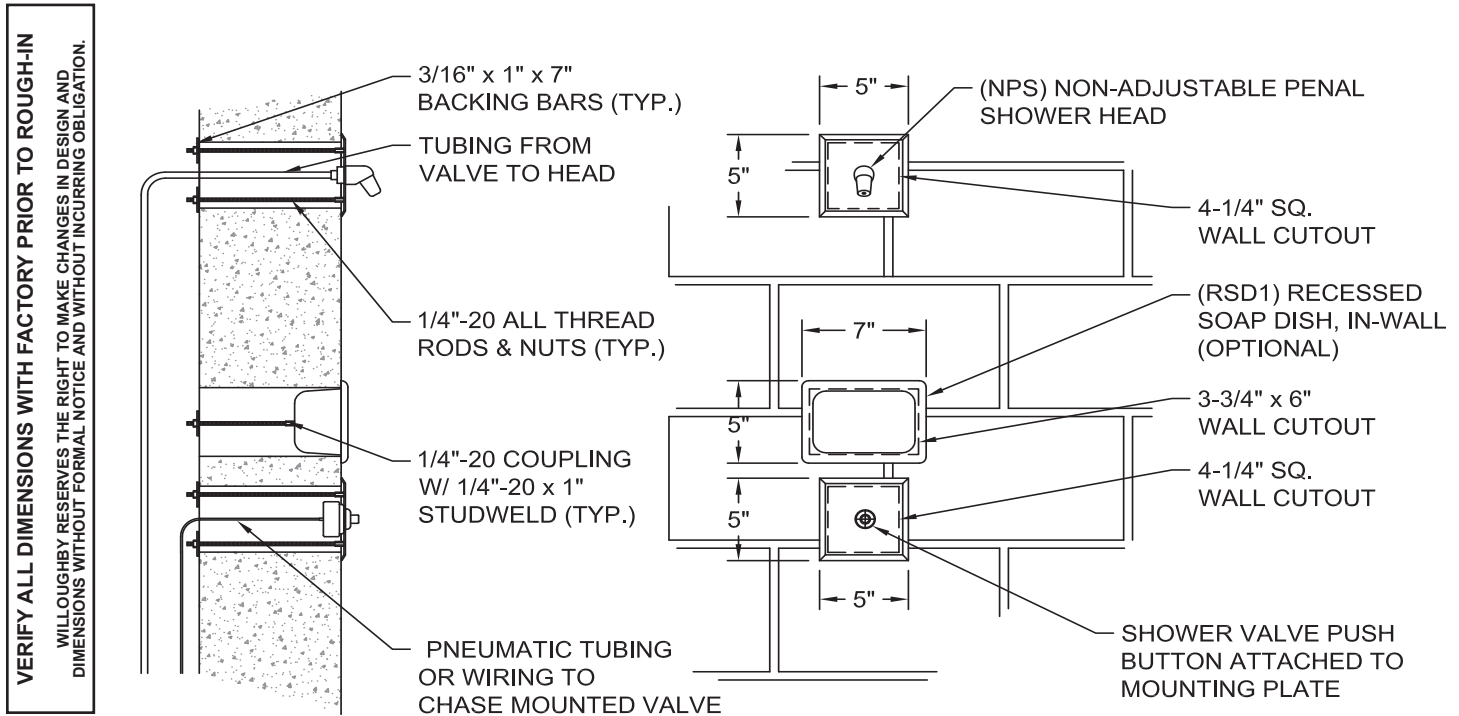
- NPS Non-adjustable Penal Shower Head (Standard)
 APS Adjustable Penal Shower Head
 CSH Ligature-resistant Shower Head

7.) Options:

- TMV In-line Thermostatic Mixing Valve
 TF24H Hard-wired Transformer, 110VAC to 24VAC*
 TF24P Plug-in Transformer, 110VAC to 24VAC*
 SD Surface Mounted Soap Dish (Wall Mounted)
 RSD1 Recessed Soap Dish (In-Wall Mounted)
 Other _____
 Other _____

* (Req. 110V power through ground fault interrupter (GFCI) receptacle)

Approved For Manufacturing By: _____ Date: _____ Company: _____
 Wall Thickness: _____ Wall Type: _____



visit our website at www.willoughby-ind.com
 5105 West 78th Street • Indianapolis, IN. 46268
 (317) 875-0830 • Fax: (317) 875-0837 • (800) 428-4065



MADE IN THE U.S.A.