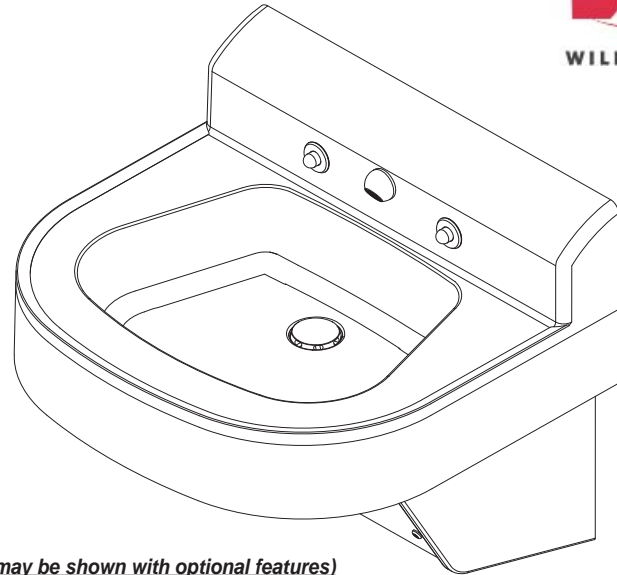




## WBL-2320 Ligature-resistant Solid Surface Behavioral Healthcare Lavatory



*(Unit may be shown with optional features)*



To specify fixture and accessories, use the Model Number and Options page.  
Example: To specify a single station Ligature-resistant, Solid Surface, Behavioral Healthcare Lavatory with dual temp. ligature-resistant electronic push buttons, in Sandstone color with Sansshade side panels  
Use the following Willoughby Model Number:  
**WBL-2320-EPBH2-SS-SN**

### Recommended Specifications

Ligature-resistant, Solid Surface, Behavioral Healthcare Lavatory shall be: Willoughby Model No. **WBL-2320**  
(Select from model number and options list on next page)

Wall-hung fixture shall accommodate one user and is designed to minimize ligature points. The lavatory bowl with integral sloped backsplash is constructed of Aquasurf<sup>®</sup> molded cast polymer densified solid surface material composed of polyester/acrylic resin, UV stabilizer, aluminum trihydrate and mineral fillers. Lavatory bowl shall be rounded to minimize its use as a ligature point.

The pre-assembled lavatory sprayhead shall be machined of stainless steel and shall be controlled by a push button or infrared sensor. Lavatory sprayhead shall provide non-aerated water stream. Exposed stainless steel surfaces shall be polished to a #4 satin finish and shall be fully-rounded to minimize use as a ligature point. Push button shall be machined of stainless steel and shall be fully rounded to minimize use as a ligature point. Flow restrictor shall maintain flow rates at 0.5 GPM.

WBL-2320 Lavatory shall be supplied with drain tailpiece, integral checkstops, drain spuds, flexible supply hoses, control valves, Class II 120/24 VAC plug-in transformers\*. Fixtures with factory valves shall be furnished with thermostatic mixing valve. Operating supply water pressure range is 30-75 psi.

Pedestal shall be welded stainless steel with solid polymer side panels to correspond to solid surface lavatory bowl. Trap cover shall be one piece formed stainless steel and attached with stainless steel security screws.

#### Vandal Resistance/Safety Features:

The sprayhead, push buttons, infrared sensor, drain and escutcheon are non-removable and are designed to minimize ligature points. Valve, water supplies and waste connection are concealed within trap enclosure. All exposed fasteners shall be vandal-resistant security type screws. The Aquasurf<sup>®</sup> solid surface material is resistant to stains, impact and burns. Surface damage can be easily repaired with everyday cleansers and/or fine grit abrasives.

#### ADA, TAS, UFAS, and ANSI Compliant:

When the lavatory is mounted at the standard adult rim height it is designed to comply with all applicable ADA, TAS, UFAS, and ANSI Z124.3 and Z124.6 accessibility guidelines.

#### Mounting:

The lavatory may be surface-mounted as supplied or supported by in-wall carriers supplied by others. Surface-mounted bracket also includes a locking device and leveling screws. Proper backing for surface-mounted lavatory provided by others.

#### Optional Features:

\* *Note: Plug-in transformer must be used with a ground fault interrupter (GFCI) receptacle to prevent possible electrical shock. (Not required on pneumatic valves)*

visit our website at [www.willoughby-ind.com](http://www.willoughby-ind.com)  
5105 West 78th Street • Indianapolis, IN. 46268  
(317) 875-0830 • Fax: (317) 875-0837 • (800) 428-4065



MADE IN THE U.S.A.

# MODEL NUMBER AND OPTIONS:

## 1.) Base Model Number:

- WBL-2320 Single Station Ligature-resistant, Solid Surface Behavioral Healthcare Lavatory

## 2.) Valve Actuation:

- PBH1 Ligature-resistant Push Button for Single Temperature Pneumatic Metering
- PBH2 Ligature-resistant Push Buttons for Dual Temperature Pneumatic Metering
- EPBH1 Ligature-resistant Electronic Push Button for Single Temperature Electronic (w/ Pneumatic Control)\*
- EPBH2 Ligature-resistant Electronic Push Buttons for Dual Temperature Electronic (w/ Pneumatic Control)\*
- IR Infrared Sensor, Hard-wired\*
- BO Infrared Sensor, Battery Operated

## 4.) Solid Polymer Side Panel Colors:

- SN Sansshade (Almond)
- SM Sea Foam
- WW White/White

## 5.) Options:

- TL Less In-line Thermostatic Mixing Valve
- Other \_\_\_\_\_
- Other \_\_\_\_\_

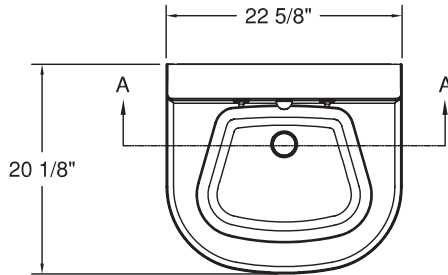
\*(Req. 110V power through ground fault interrupter (GFCI) receptacle)

\*\* Piezo Electronic Push Button valve actuation not available on WBL-2320

## 3.) Solid Surface Lav. Deck Colors:

- BN Bone
- GW Glacier White
- GG Gray Granite
- SS Sandstone
- WG White Granite
- BG Black Granite
- NB Nocturnal Blue
- RC Red Coral
- SG Sea Green

Approved For Manufacturing By: \_\_\_\_\_ Date: \_\_\_\_\_ Company: \_\_\_\_\_  
 Wall Thickness: \_\_\_\_\_ Wall Type: \_\_\_\_\_

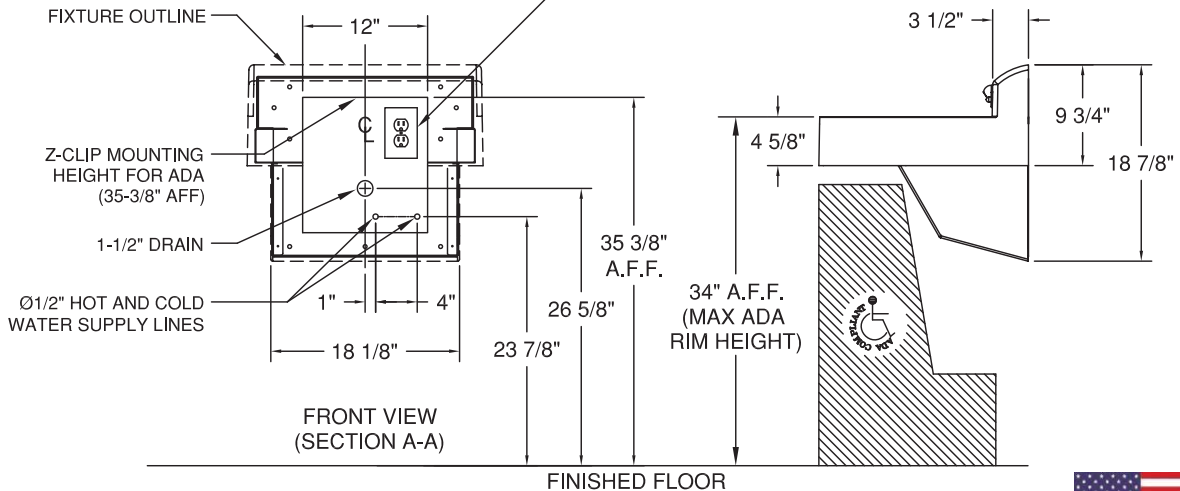


 **IN COMPLIANCE WITH A.D.A. 2010**

NOTE: ADEQUATE WALL BACKING REQ'D (BACKING SUPPLIED BY OTHERS)

FOR INFRARED UNITS ONLY:  
 110 V GFCI REQ'D. (GFCI PROVIDED BY OTHERS)  
 CONSULT LOCAL ELECTRICAL CODES.  
 PROVIDE 1" SPACE BETWEEN PERIMETER OF RECEPTACLE AND FIXTURE BRACKET

**VERIFY ALL DIMENSIONS WITH FACTORY PRIOR TO ROUGH-IN**  
 WILLOUGHBY RESERVES THE RIGHT TO MAKE CHANGES IN DESIGN AND DIMENSIONS WITHOUT FORMAL NOTICE AND WITHOUT INCURRING OBLIGATION.



visit our website at [www.willoughby-ind.com](http://www.willoughby-ind.com)

5105 West 78th Street • Indianapolis, IN. 46268

(317) 875-0830 • Fax: (317) 875-0837 • (800) 428-4065



MADE IN THE U.S.A.