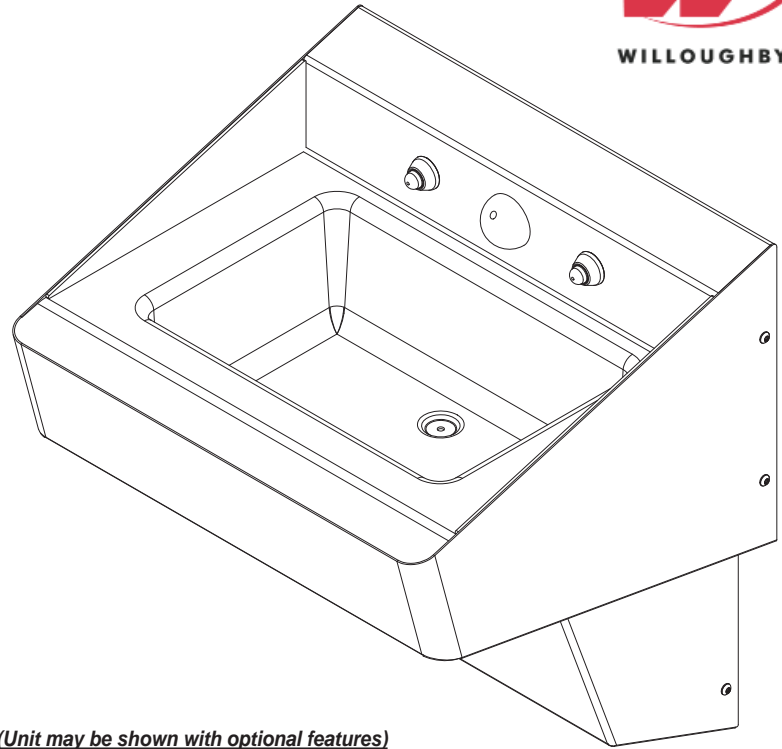


## WBLS-2018-HC-FA Ligature-resistant Front Access Stainless Steel Behavioral Lavatory



*(Unit may be shown with optional features)*



To specify fixture and accessories, use the Model Number and Options page.  
Example: To specify a Ligature-resistant Front Access Stainless Steel Behavioral Lavatory with ligature-resistant bubbler/filler, dual temp. pneumatic metering valve, ligature-resistant pneumatic push buttons, and removable P-trap  
Use the following Willoughby Model Number:  
**WBLS-2018-HC-FA-BPH-PML2-PBH-RPT**

### Recommended Specifications

Ligature-resistant Front Access Stainless Steel Behavioral Lavatory shall be: Willoughby Model No. **WBLS-2018-HC-FA** (Select from model number and options list on next page)

Wall-hung angular profile fixture shall accommodate one user and is designed to minimize ligature points. Fixture shall be fabricated from 14GA. Type 304 stainless steel. The construction shall consist of an all-welded lavatory cabinet and all-welded trap enclosure, with exposed stainless surfaces polished to a #4 satin finish.

Standard lavatory shall include:

- Rectangular bowl, 14" x 9" x 5" deep
- Stainless steel ligature-resistant bubbler/filler
- Slow drain w/ air vent
- Removable P-trap (1-1/2" F.I.P.)
- Angular profile with sloped top
- Removable trap enclosure attached with security screws

#### **Vandal Resistance/Safety Features:**

The bubbler, push buttons, and slow drain are non-removable from the user-side and are designed to minimize ligature points. Valve, water supplies, and waste connection are concealed within the trap enclosure. All exposed fasteners shall be vandal-resistant security type screws.

#### **ADA and ANSI Compliant:**

When the lavatory is mounted at the standard adult rim height it is designed to comply with all applicable ADA and ANSI (Z124.3 and Z124.6) accessibility guidelines.

#### **Mounting:**

Anchoring shall be from the front with mounting plate with anchoring holes. Unit does not require chase area for installation and maintenance; proper backing and anchoring hardware for lavatory mounting provided by others.

visit our website at [www.willoughby-ind.com](http://www.willoughby-ind.com)  
5105 West 78th Street • Indianapolis, IN. 46268  
(317) 875-0830 • Fax: (317) 875-0837 • (800) 428-4065



MADE IN THE U.S.A.

# MODEL NUMBER AND OPTIONS:

## 1.) Base Model Number:

- WBLS-2018-HC-FA      Ligature-resistant Front Access Stainless Steel Behavioral Lavatory

## 2.) Bubbler Selection:

- BPH    Ligature-resistant Bubbler/Filler (Standard)  
 FLH    Ligature-resistant Lav. Filler

## 3.) Lavatory Valve Selection:

- NV    No Valve  
 PML1    Single Temp. Pneumatic Metering  
 PML2    Dual Temp. Pneumatic Metering  
 E1L1    Single Temp. Electronic (pick control)\*  
 E1L2    Dual Temp. Electronic (pick control)\*

## 4.) Lavatory Valve Actuation:

- PBH    Ligature-resistant Push Buttons  
 EPBH    Ligature-resistant Electronic Push Buttons\*  
 PZPB    Piezo Electronic Push Buttons\*

## 5.) Electronic Controls\* (Must Use Electronic Push Button):

- WUCC-3010     Pneutronic     WMSII  
 (The WUCC-3010 Control can be used to pair a Lavatory with a Toilet)

## 6.) Lavatory Waste:

- RPT    Removable P-trap (Standard)  
 OV    Lavatory Overflow  
 SLOW    Slow Drain (Standard)

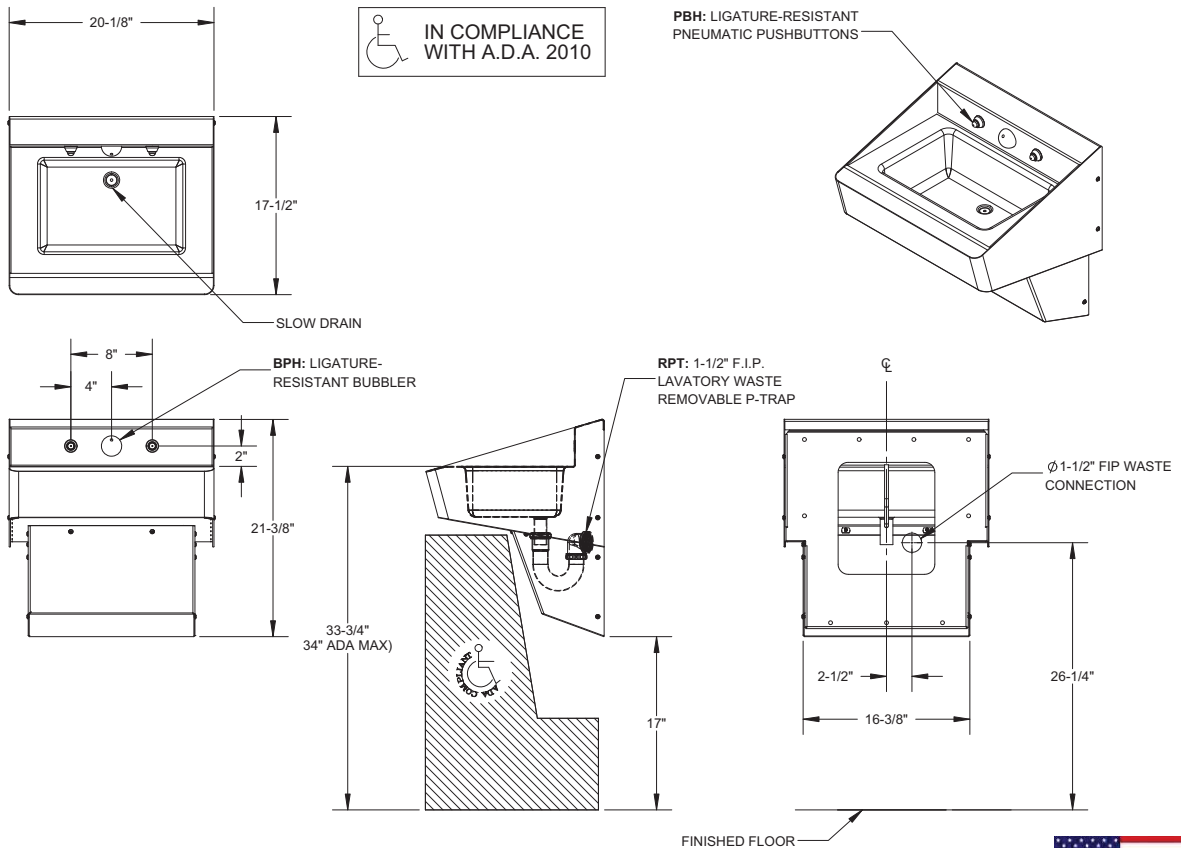
## 7.) Options:

- MT    Wall Template  
 TF24H    Hard-wired Transformer, 110VAC to 24VAC\*  
 TF24P    Plug-in Transformer, 110VAC to 24VAC\*  
 TH1    Single Towel Hook  
      Right                       Left  
 TH2    Dual Towel Hook  
      Right                       Left  
 DC    Decorator Color (Fixture exterior only - White)  
 Other: \_\_\_\_\_  
 Other: \_\_\_\_\_

\*(Req. 110V power through ground fault interrupter (GFCI) receptacle)

Approved For Manufacturing By: \_\_\_\_\_ Date: \_\_\_\_\_ Company: \_\_\_\_\_  
 Wall Thickness: \_\_\_\_\_ Wall Type: \_\_\_\_\_

**VERIFY ALL DIMENSIONS WITH FACTORY PRIOR TO ROUGH-IN**  
 WILLOUGHBY RESERVES THE RIGHT TO MAKE CHANGES IN DESIGN AND DIMENSIONS WITHOUT FORMAL NOTICE AND WITHOUT INCURRING OBLIGATION.



visit our website at [www.willoughby-ind.com](http://www.willoughby-ind.com)  
 5105 West 78th Street • Indianapolis, IN. 46268  
 (317) 875-0830 • Fax: (317) 875-0837 • (800) 428-4065



MADE IN THE U.S.A.