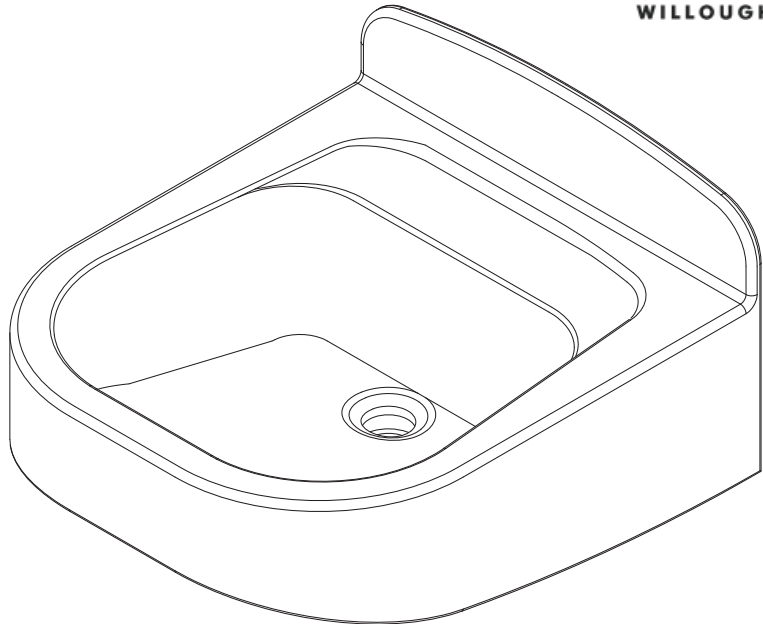


## WEL-2311 Aquasurf® Single Station Executive Lavatory



*(Unit may be shown with optional features)*

To specify fixture and accessories, use the Model Number and Options Guide.

Example: To specify an Aquasurf® Single Station Executive Lavatory with no faucet holes (standard), Sandstone color, and a stainless steel trap cover

Use the following Willoughby Model Number:

**WEL-2311-NV-SS-TE**

### Recommended Specifications

Aquasurf® Single Station Executive Lavatory shall be:  
Willoughby Model No. **WEL-2311**  
(Select from model number and options list on next page)

Aquasurf® Executive Lavatory bowl shall be constructed of molded cast polymer densified solid surface material composed of polyester/acrylic resin, UV stabilizer, aluminum trihydrate, and mineral fillers. The Aquasurf® solid surface material is resistant to stains, impact and burns. Surface damage can be easily repaired with everyday cleansers and/or fine grit abrasives.

Aquasurf® Executive Lavatory will accommodate one user at a time and features standard integral:

- Oval bowl with soap/faucet ledge
- 4" coved backsplash
- Wrap-around front edge
- Basin overflow

#### Mounting:

Heavy-gauge stainless steel mounting bracket shall be supplied standard with the lavatory (fasteners by others).

#### Faucet Holes:

Aquasurf® Executive Lavatory can be drilled for 4" Centerset (4CC) faucet, 8" Centerset (8CC) faucet, 1" Centershank (1CC) faucet, and/or deck-mounted soap dispensers/accessories (deck can be ordered with holes from the factory or without holes for later installation; faucets and accessories by others).

#### ADA, TAS, and ANSI Compliant:

When the deck is mounted at the standard 34" adult rim height, it complies with applicable ADA, TAS, and ANSI Z124.3 and Z124.6 accessibility guidelines without the need for an offset drain.

#### Optional Features:

Aquasurf® Executive Lavatories are available with an optional stainless steel trap cover.

visit our website at [www.willoughby-ind.com](http://www.willoughby-ind.com)

5105 West 78th Street • Indianapolis, IN. 46268

(317) 875-0830 • Fax: (317) 875-0837 • (800) 428-4065



MADE IN THE U.S.A.

# MODEL NUMBER AND OPTIONS:

**1.) Base Model Number:**

WEL-2311      Aquasurf® Single Station Executive Lavatory

**2.) Hole Drilling Selection (Faucet by Others):**

- NV      No Faucet Holes (Standard)
- 4CC    4" Centerset, Ø1-1/4" Holes (Specify 2 or 3 holes:\_\_\_)
- 8CC    8" Centerset, Ø1-1/4" Holes (Specify 2 or 3 holes:\_\_\_)
- 1CC    Center Shank, (1) Ø1-1/4" Hole
- SP      Special Drilling (Specify hole drilling dim.)  
SP: \_\_\_\_\_

**3.) Solid Surface Colors:**

- BN      Bone
- GW      Glacier White
- GG      Gray Granite
- SS      Sandstone
- WG      White Granite
- BG      Black Granite
- NB      Nocturnal Blue
- RC      Red Coral
- SG      Sea Green

**4.) Options:**

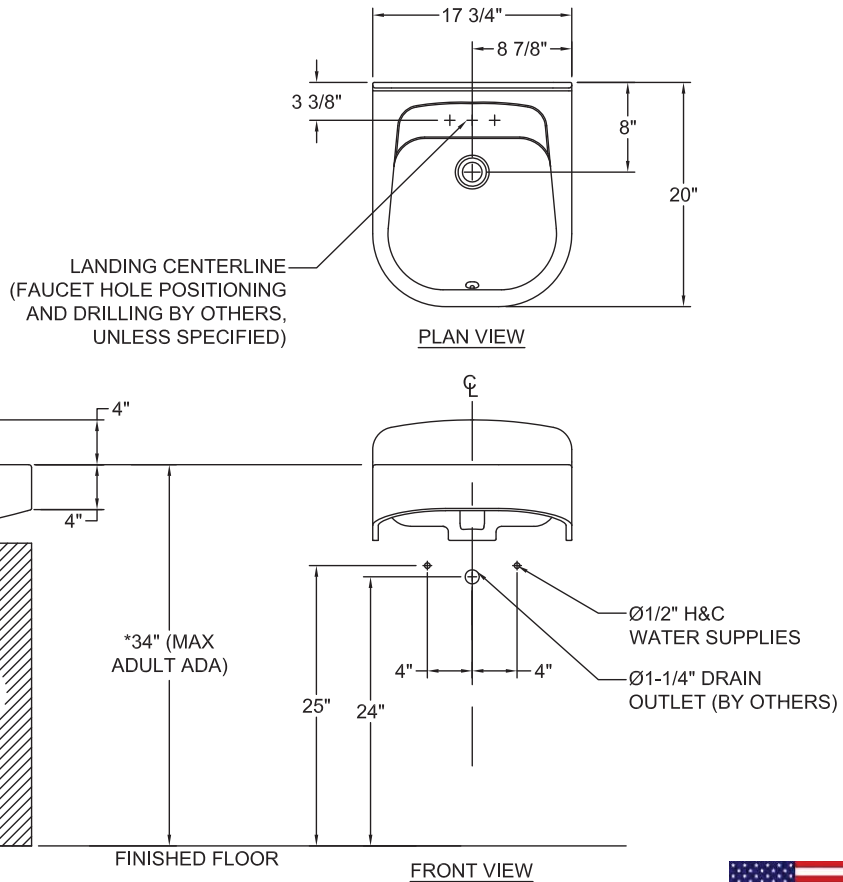
- TE      Trap Enclosure
- Other    \_\_\_\_\_
- Other    \_\_\_\_\_

Approved For Manufacturing By: \_\_\_\_\_ Date: \_\_\_\_\_ Company: \_\_\_\_\_  
 Wall Thickness: \_\_\_\_\_ Wall Type: \_\_\_\_\_



\*NOTE: 34" RIM HEIGHT SHOWN (MAX ADULT ADA) ADJUST DIMENSIONS ACCORDINGLY FOR ALTERNATE HEIGHTS

**VERIFY ALL DIMENSIONS WITH FACTORY PRIOR TO ROUGH-IN**  
 WILLOUGHBY RESERVES THE RIGHT TO MAKE CHANGES IN DESIGN AND DIMENSIONS WITHOUT FORMAL NOTICE AND WITHOUT INCURRING OBLIGATION.



**visit our website at [www.willoughby-ind.com](http://www.willoughby-ind.com)**  
 5105 West 78th Street • Indianapolis, IN. 46268  
 (317) 875-0830 • Fax: (317) 875-0837 • (800) 428-4065



**MADE IN THE U.S.A.**