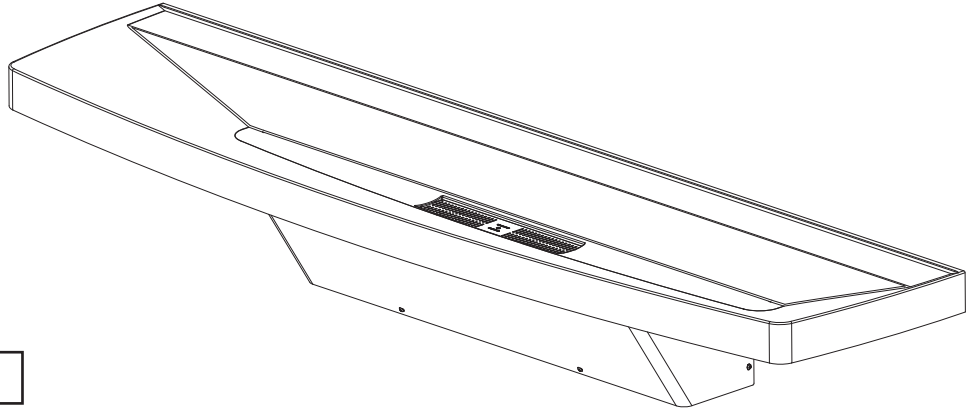


## WELS-2290 Envy Series Three Station Solid Surface Lavatory System



PATENT PENDING



IN COMPLIANCE  
WITH A.D.A. 2010

*(Unit may be shown with optional features)*

To specify fixture and accessories, use the Model Number and Options page.

Example: To specify an Envy Series Three Station Solid Surface Lavatory System with standard wall mounting (34" rim height), three sets of 1" Center Shank faucet holes, in Sandstone color

Use the following Willoughby Model Number:

**WELS-2290-WALL-1CC-SS**

### Recommended Specifications

Envy Series Three Station Solid Surface Lavatory System shall be: Willoughby Model No. **WELS-2290**  
(select from model number and options list on next page)

Envy Three Station Solid Surface Lavatory System shall accommodate 1 to 3 users simultaneously. The single-piece lavatory bowl is constructed of Aquasurf® molded cast polymer densified solid surface material, composed of polyester/acrylic resin, UV stabilizer, aluminum trihydrate, and mineral fillers.

Wall-mounted pedestal shall be fabricated entirely from T304 stainless steel, and will feature a removable shroud access panel for ease of fixture installation and maintenance. Included drain grate shall be constructed of heavy gauge stainless steel, and will secure directly to the drain assembly. All exposed stainless steel surfaces shall be polished to a #4 satin finish.

#### Vandal resistance:

Valves (by others), water supplies, and waste connections are concealed within the pedestal. Removable stainless steel access panel is secured with vandal-resistant security screws. The Aquasurf® solid surface material is resistant to stains, impact and burns. Surface damage can be easily repaired with everyday cleansers and/or fine grit abrasives.

#### ADA and ANSI Compliant:

The lavatory is designed to comply with all applicable ADA and ANSI Z124.3 and Z124.6 accessibility guidelines, whether mounted at standard adult rim height (34" Max A.F.F.) or (JR) junior height (31" Max A.F.F.)

#### Optional Features:

Envy Lavatory Systems offer a wall mounted stainless steel kick plate (KPWW) for installations with floor-based plumbing rough-ins.

visit our website at [www.willoughby-ind.com](http://www.willoughby-ind.com)

5105 West 78th Street • Indianapolis, IN. 46268

(317) 875-0830 • Fax: (317) 875-0837 • (800) 428-4065



MADE IN THE U.S.A.

# MODEL NUMBER AND OPTIONS:

## 1.) Washfountain Model:

- WELS-2290 Envy Series Three Station Solid Surface Lavatory System

## 2.) Pedestal Type:

- WALL Wall Mounted, Low-profile, All-Stainless Steel Shroud (Standard)

## 3.) Junior Height Option:

- JR Junior Height (31" Rim Height, JR. ADA Compliant)

## 4.) Faucet Drilling:

- NV No Valve, No Faucet Holes (Standard)  
 4CC Set of 4" Centerset, Ø1-1/4" Holes (Specify 2 or 3 holes: \_\_\_)  
 8CC Set of 8" Centerset, Ø1-1/4" Holes (Specify 2 or 3 holes: \_\_\_)  
 1CC Center Shank, (1) Ø1-1/4" Hole  
 SP Special Drilling (Specify hole diameter and dimensions)  
 SP: \_\_\_\_\_

## 5.) Solid Surface Colors:

- BN Bone  
 GW Glacier White  
 GG Grey Granite  
 SS Sandstone  
 WG White Granite  
 BG Black Granite  
 NB Nocturnal Blue  
 RC Red Coral  
 SG Sea Green

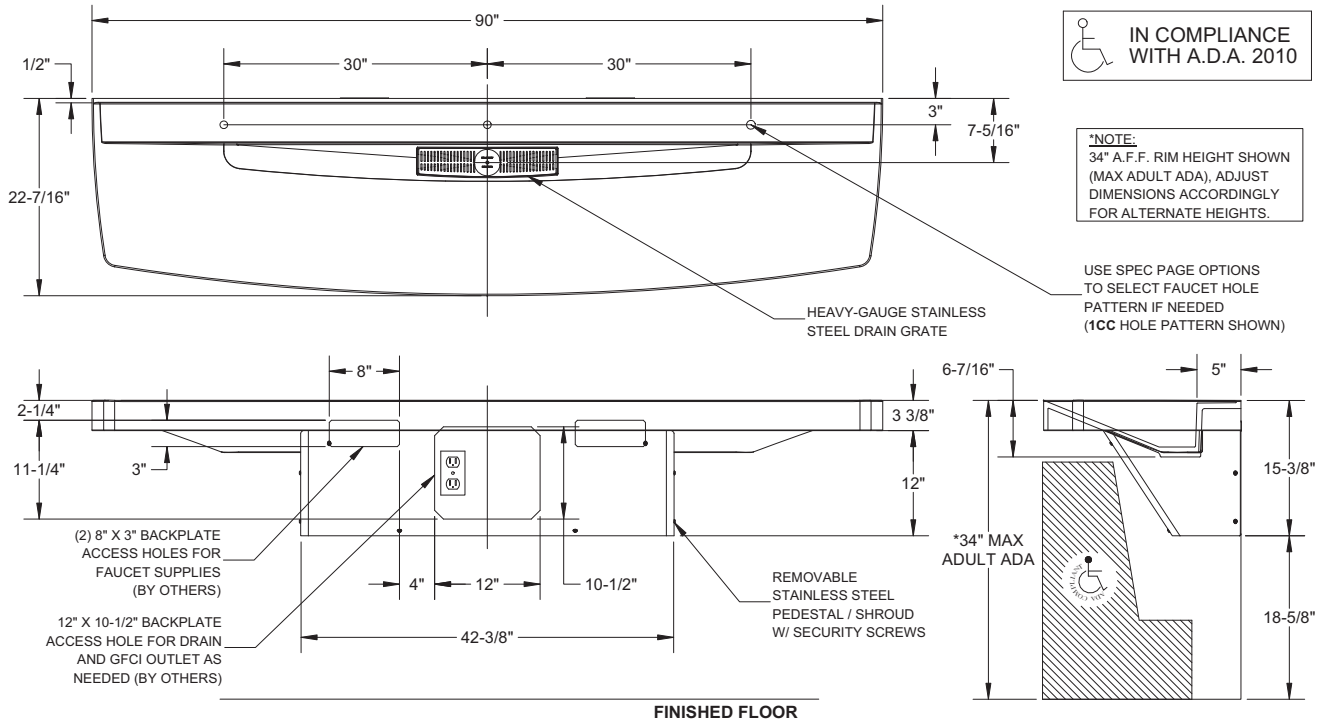
## 6.) Other Options:

- KPEV Wall Mounted Stainless Steel Kick Plate  
 Other \_\_\_\_\_  
 Other \_\_\_\_\_

**PATENT PENDING**

Approved For Manufacturing By: \_\_\_\_\_ Date: \_\_\_\_\_ Company: \_\_\_\_\_  
 Wall Thickness: \_\_\_\_\_ Wall Type: \_\_\_\_\_

**VERIFY ALL DIMENSIONS WITH FACTORY PRIOR TO ROUGH-IN**  
 WILLOUGHBY RESERVES THE RIGHT TO MAKE CHANGES IN DESIGN AND DIMENSIONS WITHOUT FORMAL NOTICE AND WITHOUT INCURRING OBLIGATION.



**IN COMPLIANCE WITH A.D.A. 2010**

**\*NOTE:**  
 34" A.F.F. RIM HEIGHT SHOWN (MAX ADULT ADA), ADJUST DIMENSIONS ACCORDINGLY FOR ALTERNATE HEIGHTS.

USE SPEC PAGE OPTIONS TO SELECT FAUCET HOLE PATTERN IF NEEDED (1CC HOLE PATTERN SHOWN)

visit our website at [www.willoughby-ind.com](http://www.willoughby-ind.com)  
 5105 West 78th Street • Indianapolis, IN. 46268  
 (317) 875-0830 • Fax: (317) 875-0837 • (800) 428-4065



MADE IN THE U.S.A.