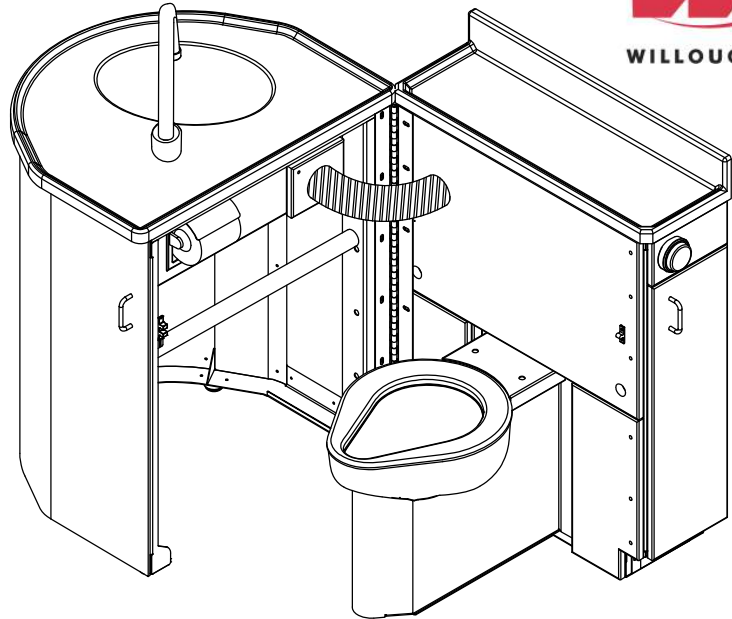


WH-2600 Patient Care Unit



LEFT HAND UNIT SHOWN
(Unit may be shown with optional features)

To specify fixture and accessories, use the Model Number and Options page.

Example: To specify a Patient Care Unit with left hinge/left lavatory, wall outlet with light grey cabinet, bone colored countertop, bone colored bowl, wristblade faucet, and antimicrobial white exterior toilet finish*

Use the following Willoughby Model Number:
WH-2600-L-1.6-WO-LG-AQCT-BN-BBN-WB-DC

Recommended Specifications

Modular Patient Care Unit with decorator cabinet shall be:
Willoughby Model No. **WH-2600**

(Select from model number and options list on next page)

Unit shall be free standing and shall include the following standard equipment and features:

Cabinet:

Modular Type 304 stainless steel welded cabinet shall include:

- Solid polymer exterior cabinet panels and doors
(Doors have rounded edges to enhance patient safety)
- Solid surface countertop and integral lavatory bowl
- Toilet tissue holder conveniently located within the cabinet
(Integral bedpan washer and dialysis box are available options.)

Toilet:

Standard siphon jet type toilet shall include:

- Elongated toilet bowl with contoured seat
- Integral crevice-free self-draining flushing rim w/ positive afterfill
- Fully enclosed 2-1/2" O.D. trap which shall maintain a minimum 2" seal and pass a 2-1/8" ball
- Bead blast finish bowl interior; exterior finished in an antimicrobial gloss white powder coat enamel finish*

Toilet shall require 35 psi min. flushing pressure and shall meet the requirements of ASME A112.19.3/CSA B45.4.

Lavatory:

Solid surface lavatory shall include:

- Oval-shaped bowl, 15" x 11-1/2", w/ grid drain
- Rigid gooseneck spout faucet w/ laminar flow nozzle

Optional Features:

- Lavatory waste traps and stops are available options
- Integral solid surface lav. bowl can be ordered in one of two contrasting colors to visually separate bowl from countertop
- Available code variance-specific equipment

Mounting:

Anchoring shall be through the front and through the floor (anchoring hardware provided by others). Unit requires no chase area for installation and maintenance. Standard siphon jet toilet shall have a minimum 17" rim height (less seat) and withstand loading up to 2000 lbs. with no measurable deflection and loading up to 5000 lbs. with no permanent damage.

On back to back fixture installations, do not use standard cross type waste fitting: cross flow may result due to blowout jet action. Use sanitary or offset type waste fittings.

Note: For HET 1.28 GPF, unit will pass a 2" ball.

visit our website at www.willoughby-ind.com

5105 West 78th Street • Indianapolis, IN. 46268

(317) 875-0830 • Fax: (317) 875-0837 • (800) 428-4065



MADE IN THE U.S.A.

MODEL NUMBER AND OPTIONS:

1.) Patient Care Unit Model Number:

- WH-2600-R (Center toilet, Right hinge/sink)
- WH-2600-L (Center toilet, Left hinge/sink)

2.) Flush Valve GPF (Must Specify):

- 1.28 GPF HET
- 1.6 GPF ULF (Standard)
- 3.5 GPF (3" waste tube required)

3.) Toilet Fixture (Stainless Steel):

- WO Floor Mounted Toilet/Wall Outlet
- FO Floor Mounted Toilet/Floor Outlet

4.) Toilet Waste

- TWC__ Toilet Waste Coupling, for (SWO) only (Must Specify Connection):
 - 3P Connecting to 3" PVC
 - 3C Connecting to 3" Cast Iron
 - 4P Connecting to 4" PVC
 - 4C Connecting to 4" Cast Iron
- TWG Toilet Waste Gasket, for (SFO) only

5.) Exterior Polymer Panel Color (Must Specify):

- AW Arctic White
- WW White/White
- LG Light Grey
- SN Sansshade (Almond)
- SM Seafoam
- DG Dolphin Grey

6.) Countertop Color (AQCT) (Must Specify):

- BN Bone
- GW Glacier White
- GG Grey Granite
- SS Sandstone
- WG White Granite
- BG Black Granite
- NB Nocturnal Blue
- RC Red Coral
- SG Sea Green

7.) Countertop Sink Bowl Color:

- BCM Countertop-matching (Standard)
- BBN Bone
- BGW Glacier White

8.) Backsplash Orientation:

- 1 Back Wall Only (1 Wall) (Standard)
- 2 Right Hand Corner (2 Wall)
- 3 Left Hand Corner (2 Wall)
- 4 Alcove (3 Wall)

9.) Faucet:

- WB Gooseneck Spout, Laminar Flow, Wristblade Handles, 4CC
- FPF Gooseneck Spout, Laminar Flow, Foot Pedal Valve
- SSF Gooseneck Sensor Spout, Center Shank IR Operated, Laminar Flow (12v transformer is required)
- SSFB Gooseneck Sensor Spout, Center Shank IR (Battery Operated), Laminar Flow

10.) Other Options:

- BWSEV Bedpan Washer & Elevated Atmospheric Vacuum Breaker
- BWSEV-VC Bedpan Washer, Elevated Atmospheric Vacuum Breaker & Volume Control
- BWSCV Bedpan Washer & Continuous Pressure Vacuum Breaker
- BWSCV-VC Bedpan Washer, Continuous Pressure Vacuum Breaker & Volume Control
- SDB Integral Cabinet Single Valve Dialysis Box
- DDB Integral Cabinet Dual Valve Dialysis Box
- DC Antimicrobial White Exterior Toilet Finish*
- BL Bedpan Lugs

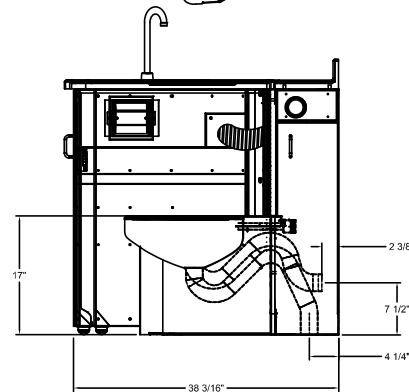
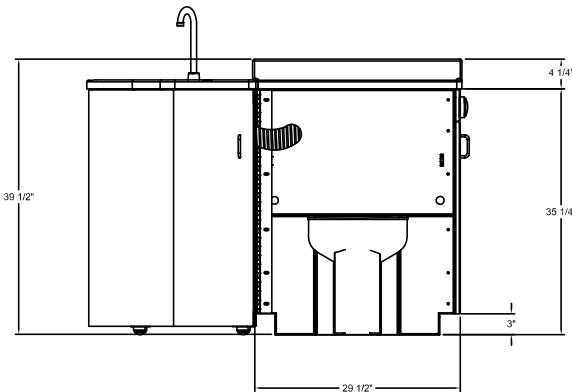
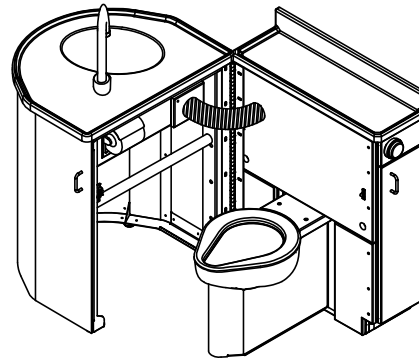
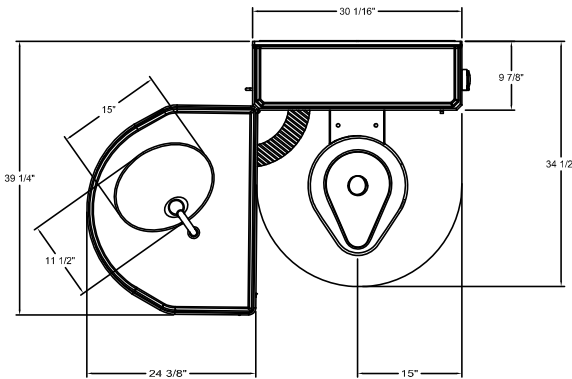
11.) Code Variances:

- TMV Inline Thermostatic Mixing Valve
- DBDRN Dialysis Box Drain /Trap
- PTC 'P' Trap w/Clean-out Plug
- LSS 1/2" x 3/8" Lavatory Supply Stops
- TF12PI 12v Plug-in Transformer (SSF faucet only)
- TF12HW 12v Hard-wire Transformer (SSF faucet only)
- Other _____
- Other _____

***Antimicrobial properties are built-in to inhibit the growth of bacteria that may affect this product. The antimicrobial properties do not protect users or others against bacteria, viruses, germs, or other disease organisms. Always use good hygienic cleaning practices.**

Approved For Manufacturing By: _____ Date: _____ Company: _____
 Wall Thickness: _____ Wall Type: _____

VERIFY ALL DIMENSIONS WITH FACTORY PRIOR TO ROUGH-IN
 WILLOUGHBY RESERVES THE RIGHT TO MAKE CHANGES IN DESIGN AND DIMENSIONS WITHOUT FORMAL NOTICE AND WITHOUT INCURRING OBLIGATION.



visit our website at www.willoughby-ind.com
 5105 West 78th Street • Indianapolis, IN. 46268
 (317) 875-0830 • Fax: (317) 875-0837 • (800) 428-4065



MADE IN THE U.S.A.