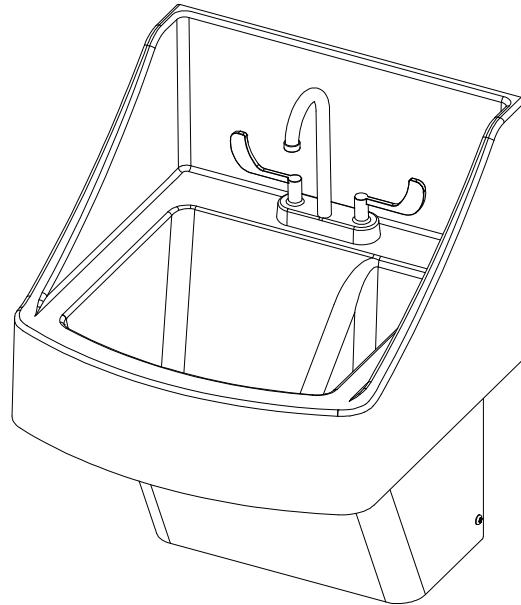


WICS-2222 Infection Control Hand Washing Sink A.D.A. Compliant



IN COMPLIANCE
WITH A.D.A. 2010

Recommended Specifications

Wall-hung Infection Control Hand Washing Sink shall accommodate one user and is designed to minimize spread of infectious disease. ADA compliant solid surface sink shall be: Willoughby Model No. **WICS-2222**

The sink bowl with integral side and rear splash-guards shall be constructed of Aquasurf® molded cast polymer densified solid surface material composed of polyester/acrylic resin, UV stabilizer, aluminum trihydrate and mineral fillers. The Aquasurf® solid surface material is resistant to stains, impact and burns. Surface damage can be easily repaired with everyday cleansers and/or fine grit abrasives.

WICS-2222 sink shall be supplied with:

- Antimicrobial drain and tailpiece* (trap by others, an optional antimicrobial trap (AMT) is available*)
- 1.5 gpm non-aerating laminar outlet, 4" CC, rigid 3-1/2" gooseneck, wristblade faucet** (optional infrared (IR) faucet models and thermostatic mixing valve available)
- Fully welded wall hung pedestals for surface mounting (mounting hardware by others)
- One piece formed stainless steel trap cover w/ stainless steel mounting hardware

To specify fixture and accessories, use the Model Number and Options page.

Example: To specify an infection control hand washing sink with a stainless steel pedestal, 1.5 gpm non-aerating laminar outlet, 4" CC, rigid 3-1/2" gooseneck, wristblade faucet, in sandstone color

Use the following Willoughby Model Number:

WICS-2222-WB2-SS

Infectious Control Features:

- Deep sink basin w/ sloped edges to minimize splashing
- Integral side and rear splash-guards to limit splash landing outside of bowl
- Offset sink drain to reduce aerosolization of trap contents
- Antimicrobial drain and tail piece to restrict growth and colonization of bacteria* (optional trap available)
- No overflow in sink basin to limit possible area for bacteria growth
- Engineered to meet or exceed requirements of CSA Z8000

ADA, TAS, UFAS, CSA Z8000 and Plumbing Standard

Compliant: When the lavatory is mounted at the standard adult rim height, it is designed to provide compliance with all applicable ADA, TAS, UFAS accessibility standards. Fixture complies to CSA Z8000. Fixture is certified to CSA B45, 5-11/IAPMO Z124-2011 harmonized plumbing standard.

Mounting:

The sink may be surface-mounted as supplied or supported by in-wall carriers supplied by others. Proper backing for surface-mounted sinks provided by others.

Optional Features:

Note: Plug-in transformer must be used with a ground fault interrupter (GFCI) receptacle to prevent possible electrical shock.

visit our website at www.willoughby-ind.com
5105 West 78th Street • Indianapolis, IN. 46268
(317) 875-0830 • Fax: (317) 875-0837 • (800) 428-4065



MADE IN THE U.S.A.

MODEL NUMBER AND OPTIONS:

1.) Lavatory Model:

- WICS-2222 Infection Control Hand Washing Sink

2.) Faucet**:

- WB2 1.5 gpm Laminar Flow, 4CC, Rigid 3-1/2" Gooseneck Wristblade Faucet (Standard)
- SSF Gooseneck Sensor Spout, Center Shank IR Operated, Laminar Flow (12v transformer is required)
- SSFB Gooseneck Sensor Spout, Center Shank IR (Battery Operated), Laminar Flow
- NV No Valve, No Faucet/Spout- Faucet by Others (Select Hole Punching if needed)

3.) Hole Drilling Selection (Faucet by Others):

NOTE: If hole drilling is required, please submit faucet for approval

- 4CC 4" Centerset, Ø1-1/4" Holes (Specify 2 or 3 holes:___)
- 8CC 8" Centerset, Ø1-1/4" Holes (Specify 2 or 3 holes:___)
- 1CC Center Shank, (1) Ø1-1/4" Hole
- SP Special Punching/Drilling (Specify hole punching dim.)
SP: _____

4.) Lavatory Deck Colors:

- BN Bone
- GW Glacier White
- GG Grey Granite
- SS Sandstone
- WG White Granite
- BG Black Granite
- NB Nocturnal Blue
- RC Red Coral
- SG Sea Green

5.) Options:

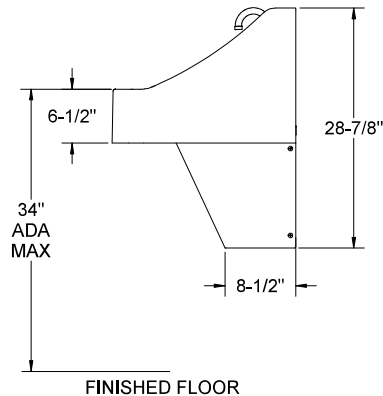
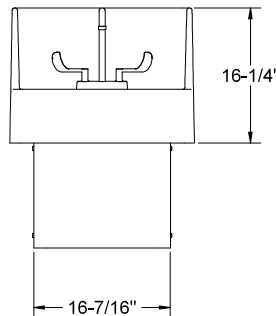
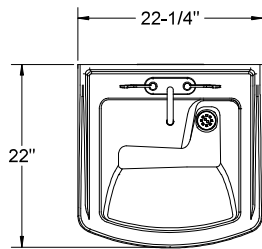
- TMV Inline Thermostatic Mixing Valve
- AMT Antimicrobial Trap*
- TF12PI 12v Plug-in Transformer (SSF faucet only)
- TF12HW 12v Hard-wire Transformer (SSF faucet only)

*Antimicrobial properties are built-in to inhibit the growth of bacteria that may affect this product. The antimicrobial properties do not protect users or others against bacteria, viruses, germs, or other disease organisms. Always use good hygienic cleaning practices.

****NOTICE: Faucet options for the WICS-2222 Infection Control Sink have been selected to specifically minimize splashing and aerosolization when used with the WICS-2222. Willoughby Industries will not be held liable for any unintended splashing resulting from use of a faucet not supplied by Willoughby Industries or without prior approval by Willoughby Industries.**

Approved For Manufacturing By: _____ Date: _____ Company: _____
Wall Thickness: _____ Wall Type: _____

VERIFY ALL DIMENSIONS WITH FACTORY PRIOR TO ROUGH-IN
WILLOUGHBY RESERVES THE RIGHT TO MAKE CHANGES IN DESIGN AND DIMENSIONS WITHOUT FORMAL NOTICE AND WITHOUT INCURRING OBLIGATION.



visit our website at www.willoughby-ind.com
5105 West 78th Street • Indianapolis, IN. 46268
(317) 875-0830 • Fax: (317) 875-0837 • (800) 428-4065



MADE IN THE U.S.A.