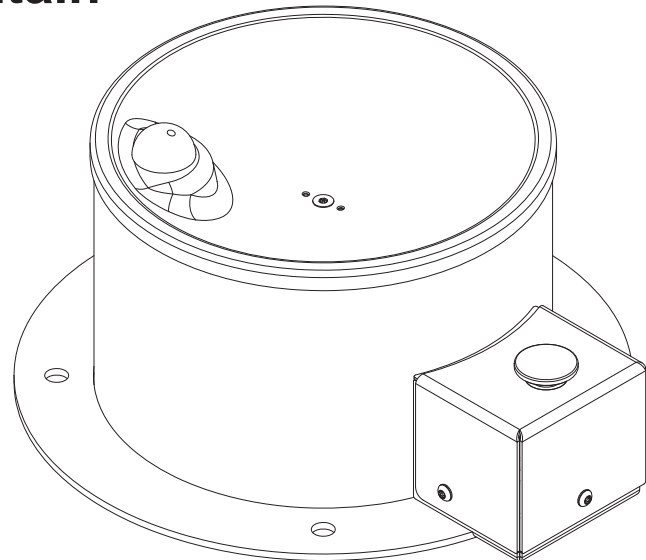


WODF-1-PET Series Outdoor Pet Drinking Fountain



Recommended Specifications

Willoughby Model **WODF-1-PET** outdoor pet drinking fountain is a single-level, vandal resistant drinking fountain with Type 304 stainless steel 10" Schedule-10 main column and 7 GA. flange.

Fountain shall have high-polished, 18 GA. stainless steel bowl with anti-rotation, anti-squirt, solid stainless steel bubbler. Bubbler shall be activated by pedestal mounted solid stainless steel foot-operated push button assembly, which controls a lead-free, self-closing valve.

Push button shall require less than 5 lbs. of force to operate. Push button shall be adjustable to ensure adequate flow without being wasteful. **WODF-1-PET** fountain shall be lead-free, adhering to ANSI/NSF 61, Section 9, ANSI A117.1.

Standard Features

- * Heavy duty Type 304 stainless steel 10" Schedule-10 main column and 7 GA. flange
- * Optional marine-grade Type 316 stainless steel body for installations near salt water
- * High polished stainless steel bowl
- * Solid stainless steel, anti-rotation bubbler
- * Serviceable mesh strainer on inlet water supply
- * Resistant to sunlight, heat and vandalism
- * Stainless steel adjustable push button
- * Integral slow drain

To specify fixture and color, use the Model Number and Options Guide.

Example: To specify a WODF-1-PET outdoor pet drinking fountain in Orange color

Use the following Willoughby Model Number:

WODF-1-PET-O

visit our website at www.willoughby-ind.com

5105 West 78th Street • Indianapolis, IN. 46268

(317) 875-0830 • Fax: (317) 875-0837 • (800) 428-4065



MADE IN THE U.S.A.

MODEL NUMBER AND OPTIONS:

1.) Outdoor Drinking Fountain Type:

WODF-1-PET Outdoor Pet Drinking Fountain

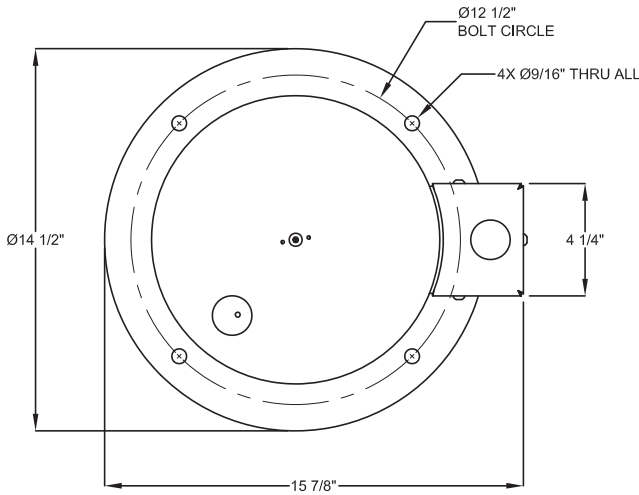
2.) Options:

- 316-1 316 Stainless Steel Body, Single
- CAR-1 Surface Carrier, Single
- SOV Shut Off Valve
- SCV Seasonal Bowl Cover (1)
- FRV-1 Freeze Resistant Valve System, Single

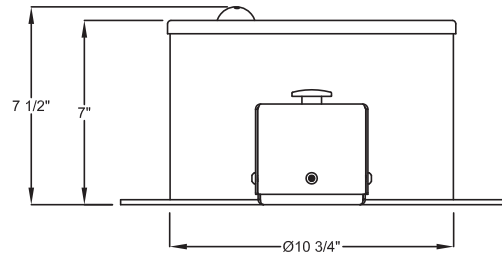
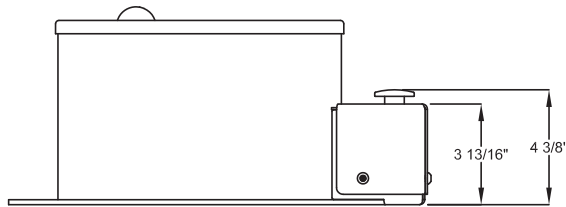
3.) Colors (select one):

- SL Silver (Silvadillo)
- G Green
- R Red
- BL Blue
- O Orange
- V Violet
- Y Yellow
- BR Brown
- BK Black
- BE Beige
- W White

Approved For Manufacturing By: _____ Date: _____ Company: _____
 Wall Thickness: _____ Wall Type: _____



VERIFY ALL DIMENSIONS WITH FACTORY PRIOR TO ROUGH-IN
 WILLOUGHBY RESERVES THE RIGHT TO MAKE CHANGES IN DESIGN AND DIMENSIONS WITHOUT FORMAL NOTICE AND WITHOUT INCURRING OBLIGATION.



visit our website at www.willoughby-ind.com
 5105 West 78th Street • Indianapolis, IN. 46268
 (317) 875-0830 • Fax: (317) 875-0837 • (800) 428-4065



MADE IN THE U.S.A.