

WODF-1 Series Outdoor Drinking Fountain

Recommended Specifications

Willoughby Model **WODF-1** outdoor drinking fountain is a single-level, vandal resistant drinking fountain with Type 304 stainless steel 10" Schedule-10 main column and 7 GA. flange.

Fountain shall have a high-polished, 18 GA. stainless steel bowl with anti-rotation, anti-squirt, solid stainless steel bubbler. Bubbler shall be activated by a pedestal-mounted solid stainless steel push button assembly, which controls a lead-free, self-closing valve.

Push button shall require less than 5 lbs. of force to operate. Push button shall be adjustable to ensure adequate flow without being wasteful. **WODF-1** fountain shall be lead-free, adhering to ANSI/NSF 61, Section 9 requirements.

Fountain is available in an ADA configuration that shall meet American Disabilities Act of 2010 (ADA) compliance requirements; see option (HC) on the following page.

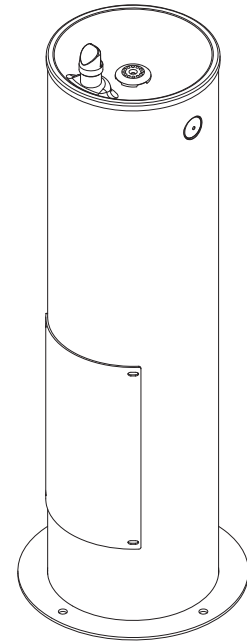
Standard Features

- * Heavy duty Type 304 stainless steel 10" Schedule-10 main column and 7 GA. flange
- * Optional marine-grade Type 316 stainless steel body for installations near salt water
- * High polished stainless steel bowl
- * Solid stainless steel, anti-rotation bubbler
- * Serviceable mesh strainer on inlet water supply
- * Heavy-duty main column access panel
- * Resistant to sunlight, heat and vandalism
- * Stainless steel adjustable push button

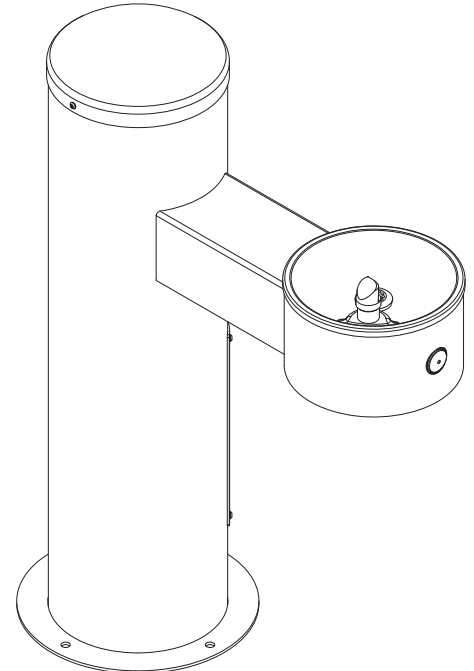
To specify fixture and color, use the Model Number and Options Guide.

Example: To specify a WODF-1 outdoor drinking fountain in Silver (Silvadillo) color

Use the following Willoughby Model Number:
WODF-1-SL



WODF-1



WODF-1-HC

MODEL NUMBER AND OPTIONS:

1.) Outdoor Drinking Fountain Type:

- WODF-1 Single-bowl Outdoor Drinking Fountain

2.) Options:

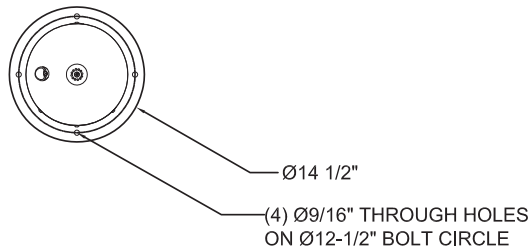
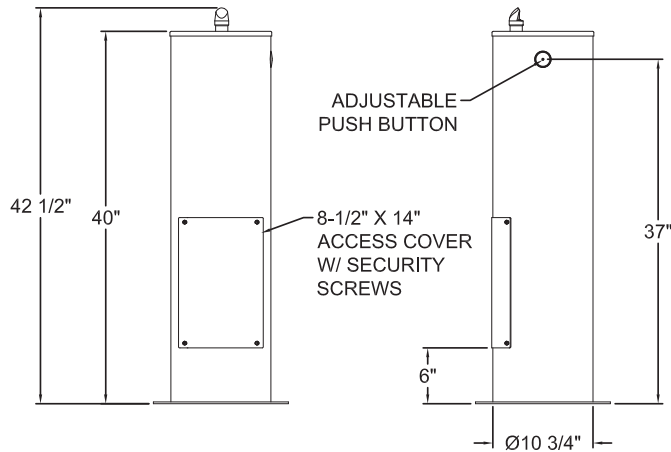
- HC Adult ADA Compliant Single-bowl Fountain
 316-1 316 Stainless Steel Body, Single
 CAR-1 Surface Carrier, Single
 SOV Shut Off Valve
 SCV Seasonal Bowl Cover (1)
 FRV-1 Freeze Resistant Valve System, Single
 JF Jug Filler
 HBE Hose Bibb Exposed
 HBLD Recessed Hose Bibb w/ Lock Door
 HBLD-SS Recessed Stainless Steel Hose Bibb w/ Lock Door
 FW Foot Wash

3.) Colors (select one):

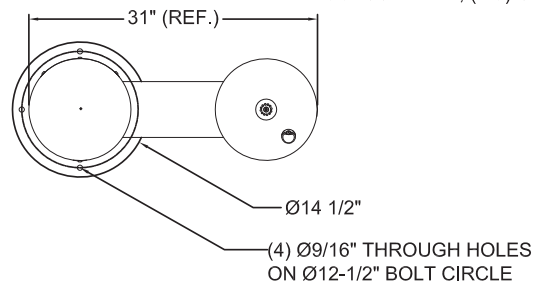
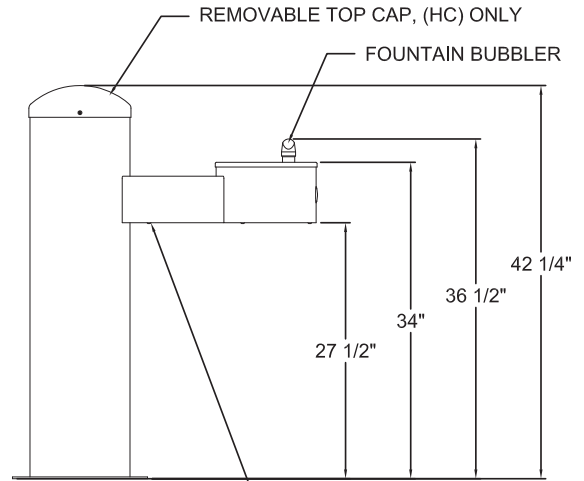
- SL Silver (Silvadillo)
 G Green
 R Red
 BL Blue
 O Orange
 V Violet
 Y Yellow
 BR Brown
 BK Black
 BE Beige
 W White

Approved For Manufacturing By: _____ Date: _____ Company: _____
 Wall Thickness: _____ Wall Type: _____

VERIFY ALL DIMENSIONS WITH FACTORY PRIOR TO ROUGH-IN
 WILLOUGHBY RESERVES THE RIGHT TO MAKE CHANGES IN DESIGN AND DIMENSIONS WITHOUT FORMAL NOTICE AND WITHOUT INCURRING OBLIGATION.



WODF-1



WODF-1-HC (ADA OPTION)

visit our website at www.willoughby-ind.com
 5105 West 78th Street • Indianapolis, IN. 46268
 (317) 875-0830 • Fax: (317) 875-0837 • (800) 428-4065



MADE IN THE U.S.A.