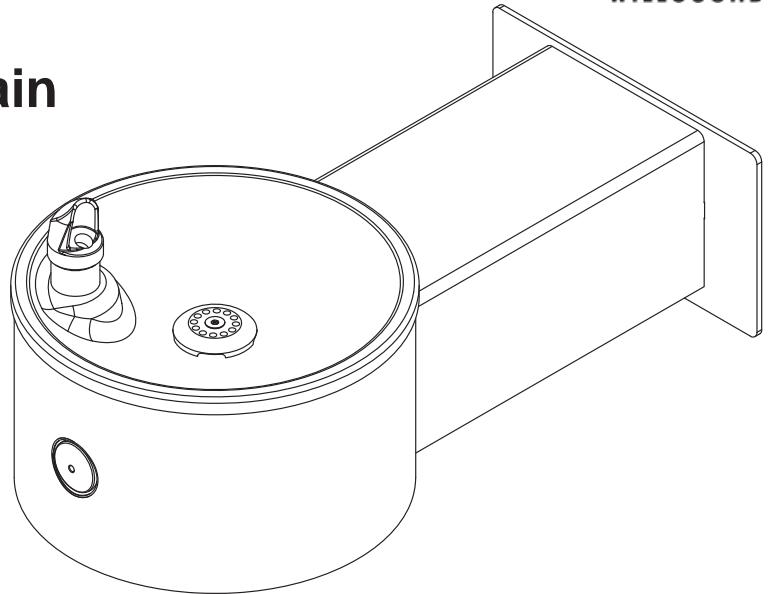


## WODF-1WM Series Wall Mounted Outdoor Drinking Fountain



### Recommended Specifications

Willoughby Model **WODF-1WM** wall mounted outdoor drinking fountain is a single-level, vandal resistant drinking fountain with Type 304 stainless steel 10" Schedule-10 main column and 7 GA. flange.

Fountain shall have high-polished, 18 GA. stainless steel bowl with anti-rotation, anti-squirt, solid stainless steel bubbler. Bubbler shall be activated by pedestal mounted solid stainless steel push button assembly, which controls a lead-free, self-closing valve.

Push button shall require less than 5 lbs. of force to operate. Push button shall be adjustable to ensure adequate flow without being wasteful. **WODF-1WM** fountain shall be lead-free, adhering to ANSI/NSF 61, Section 9, ANSIA117.1.

When the drinking fountain bowl is mounted at an appropriate height (34" max A.F.F. for Adult ADA, 31" max A.F.F. for JR. ADA), it shall meet American Disabilities Act of 2010 (ADA) compliance requirements.

### Standard Features

- \* Adult ADA or Child (JR.) ADA compliant
- \* 5/32" wall thickness stainless steel wall column
- \* Heavy duty Type 304 stainless steel 10" Schedule-10 main column and 7 GA. flange
- \* Optional marine-grade Type 316 stainless steel body for installations near salt water
- \* High polished stainless steel bowl
- \* Solid stainless steel, anti-rotation bubbler
- \* Serviceable mesh strainer on inlet water supply
- \* Heavy-duty main access panel
- \* Resistant to sunlight, heat and vandalism
- \* Stainless steel adjustable push button

To specify fixture and color, use the Model Number and Options Guide.  
Example: To specify a WODF-1WM wall mounted outdoor drinking fountain in Blue color  
Use the following Willoughby Model Number:  
**WODF-1WM-BL**

visit our website at [www.willoughby-ind.com](http://www.willoughby-ind.com)  
5105 West 78th Street • Indianapolis, IN. 46268  
(317) 875-0830 • Fax: (317) 875-0837 • (800) 428-4065



MADE IN THE U.S.A.

# MODEL NUMBER AND OPTIONS:

## 1.) Outdoor Drinking Fountain Type:

- WODF-1WM Wall Mounted Outdoor Drinking Fountain

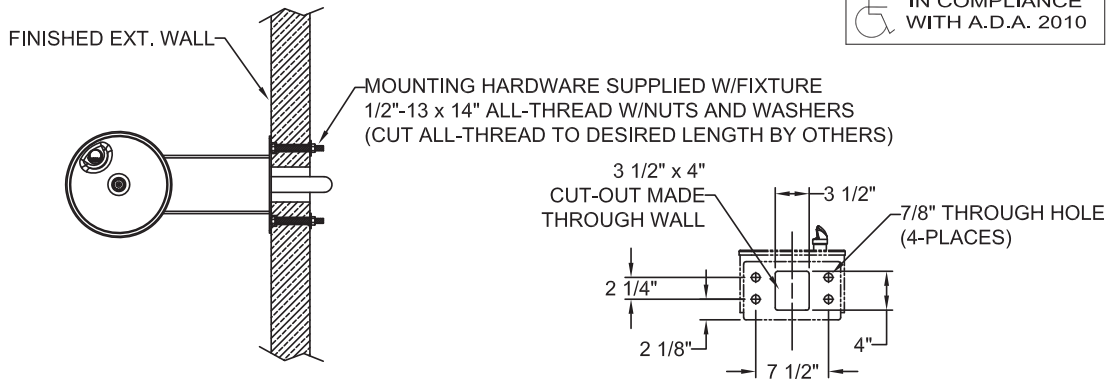
## 2.) Options:

- 316-1 316 Stainless Steel Body, Single  
 SCV Seasonal Bowl Cover (1)

## 3.) Colors (select one):

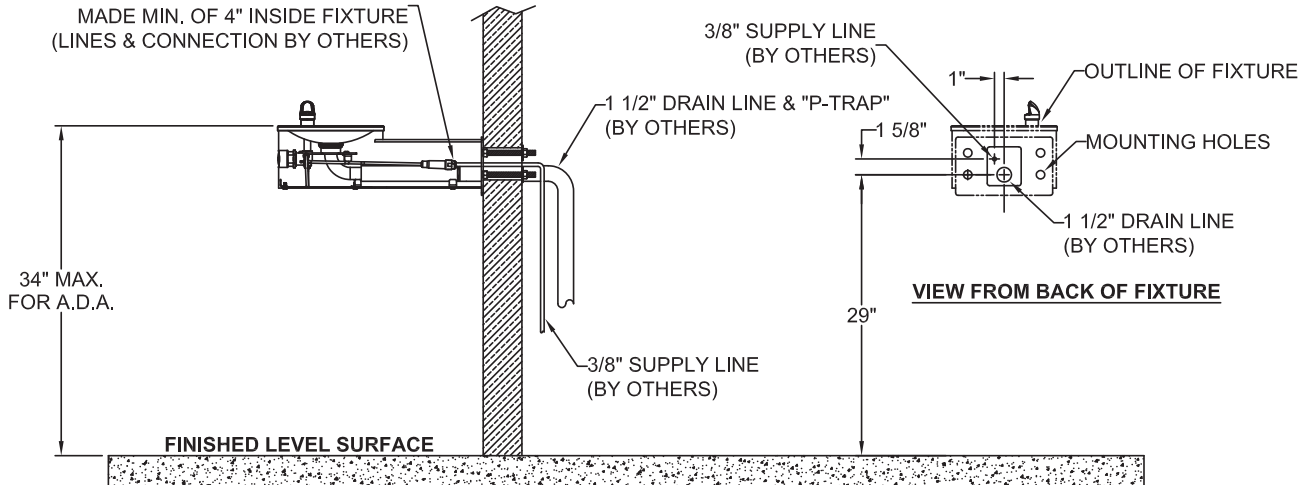
- SL Silver (Silvadillo)  
 G Green  
 R Red  
 BL Blue  
 O Orange  
 V Violet  
 Y Yellow  
 BR Brown  
 BK Black  
 BE Beige  
 W White

Approved For Manufacturing By: \_\_\_\_\_ Date: \_\_\_\_\_ Company: \_\_\_\_\_  
 Wall Thickness: \_\_\_\_\_ Wall Type: \_\_\_\_\_



**BOLT SPACING AND WALL CUT-OUT DETAILS**

NOTE: 3/8" SUPPLY LINE CONNECTION & 1 1/2" DRAIN LINE CONNECTION MADE MIN. OF 4" INSIDE FIXTURE (LINES & CONNECTION BY OTHERS)



**VIEW FROM BACK OF FIXTURE**

**VERIFY ALL DIMENSIONS WITH FACTORY PRIOR TO ROUGH-IN**  
 WILLOUGHBY RESERVES THE RIGHT TO MAKE CHANGES IN DESIGN AND DIMENSIONS WITHOUT FORMAL NOTICE AND WITHOUT INCURRING OBLIGATION.

visit our website at [www.willoughby-ind.com](http://www.willoughby-ind.com)  
 5105 West 78th Street • Indianapolis, IN. 46268  
 (317) 875-0830 • Fax: (317) 875-0837 • (800) 428-4065



MADE IN THE U.S.A.