

WODF-2 Series Outdoor Drinking Fountain

Recommended Specifications

Willoughby Model **WODF-2** outdoor drinking fountain is a dual-level, vandal resistant drinking fountain with Type 304 stainless steel 10" Schedule-10 main column and 7 GA. flange.

Fountain shall have high-polished, 18 GA. stainless steel bowls with anti-rotation, anti-squirt, solid stainless steel bubblers. Bubblers shall be activated by pedestal mounted solid stainless steel push button assemblies, which control lead-free, self-closing valves.

Push buttons shall require less than 5 lbs. of force to operate. Push buttons shall be adjustable to ensure adequate flow without being wasteful. **WODF-2** fountain shall be lead-free, adhering to ANSI/NSF 61, Section 9, ANSI A117.1. Fixtures in (HC) and (CHD) configurations shall meet American Disabilities Act of 2010 (ADA) compliance requirements.

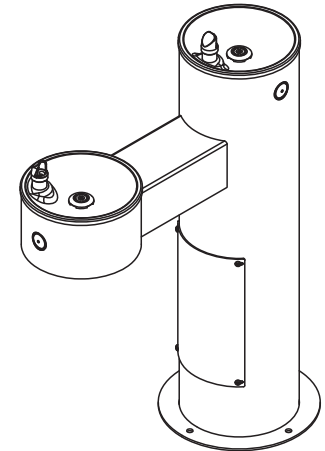
Standard Features

- * Adult ADA and Child (JR.) ADA compliant fixture configurations available
- * Heavy duty Type 304 stainless steel 10" Schedule-10 main column and 7 GA. flange
- * Optional marine-grade Type 316 stainless steel body for installations near salt water
- * High polished stainless steel bowls
- * Solid stainless steel, anti-rotation bubblers
- * Serviceable mesh strainer on inlet water supply
- * Heavy-duty main column access panel
- * Resistant to sunlight, heat and vandalism
- * Stainless steel adjustable push buttons

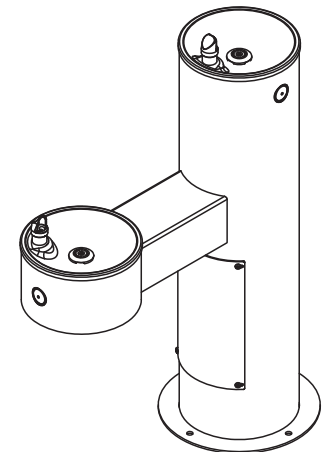
To specify fixture and color, use the Model Number and Options Guide.

Example: To specify a WODF-2 outdoor drinking fountain with Child-height (JR. ADA) bowl, in Green color

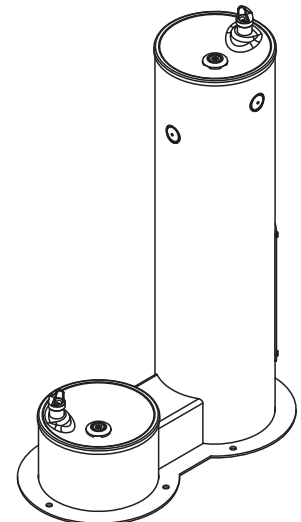
Use the following Willoughby Model Number:
WODF-2-CHD-G



WODF-2-HC



WODF-2-CHD



WODF-2-PET

MODEL NUMBER AND OPTIONS:

1.) Outdoor Drinking Fountain Type:

- WODF-2 Two-bowl Outdoor Drinking Fountain

2.) Bowl Height (other than main column bowl):

- HC Adult ADA Compliant
 CHD Child (JR. ADA Compliant)
 PET Pet

3.) Options:

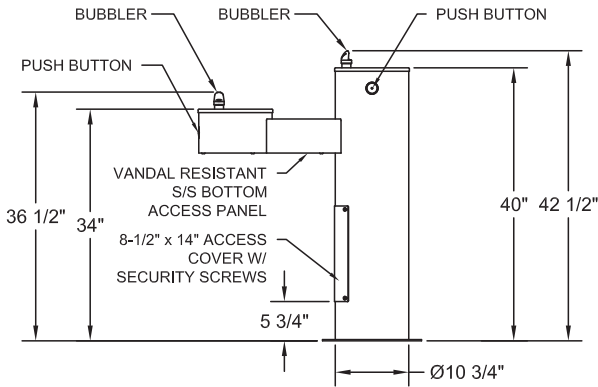
- 316-2 316 Stainless Steel Body, Double
 CAR-1 Surface Carrier, Single
 CAR-2 Surface Carrier, Double
 SOV Shut Off Valve
 SCV Seasonal Bowl Covers (2)
 FRV-2 Freeze Resistant Valve System, Double
 JF Jug Filler
 HBE Hose Bibb Exposed
 HBLD Recessed Hose Bibb w/ Lock Door
 HBLD-SS Recessed Stainless Steel Hose Bibb w/ Lock Door
 FW Foot Wash

4.) Colors (select one):

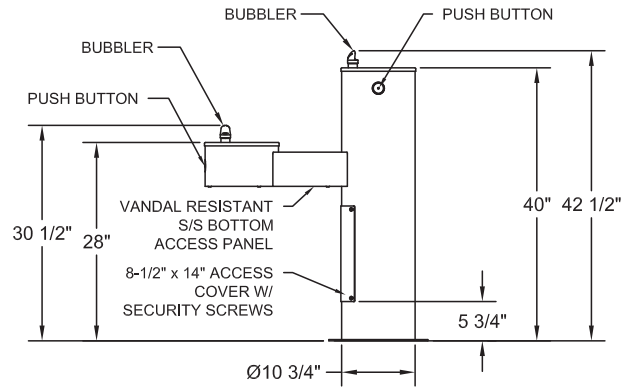
- SL Silver (Silvadillo)
 G Green
 R Red
 BL Blue
 O Orange
 V Violet
 Y Yellow
 BR Brown
 BK Black
 BE Beige
 W White

Approved For Manufacturing By: _____ Date: _____ Company: _____
 Wall Thickness: _____ Wall Type: _____

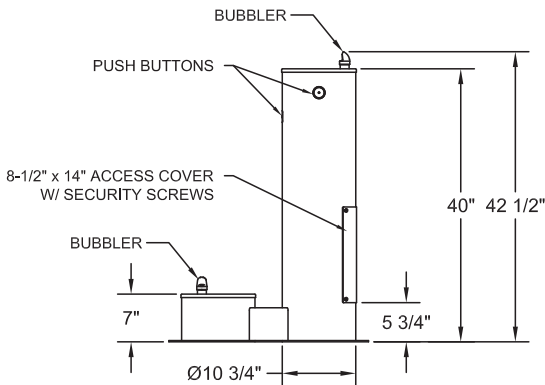
VERIFY ALL DIMENSIONS WITH FACTORY PRIOR TO ROUGH-IN
 WILLOUGHBY RESERVES THE RIGHT TO MAKE CHANGES IN DESIGN AND DIMENSIONS WITHOUT FORMAL NOTICE AND WITHOUT INCURRING OBLIGATION.



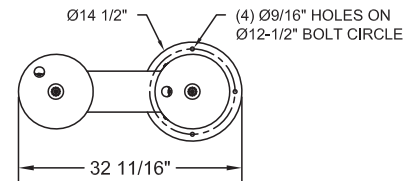
WODF-2-HC



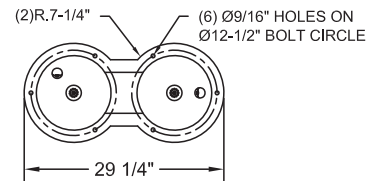
WODF-2-CHD



WODF-2-PET



WODF-2-HC &
WODF-2-CHD



WODF-2-PET

visit our website at www.willoughby-ind.com
 5105 West 78th Street • Indianapolis, IN. 46268
 (317) 875-0830 • Fax: (317) 875-0837 • (800) 428-4065



MADE IN THE U.S.A.