



## WODF-3 Series Outdoor Drinking Fountain

### Recommended Specifications

Willoughby Model **WODF-3** outdoor drinking fountain is a triple-level, vandal resistant drinking fountain with Type 304 stainless steel 10" Schedule-10 main column and 7 GA. flange.

Fountain shall have high-polished, 18 GA. stainless steel bowls with anti-rotation, anti-squirt, solid stainless steel bubblers. Bubblers shall be activated by pedestal mounted solid stainless steel push button assemblies, which control lead-free, self-closing valves.

Push buttons shall require less than 5 lbs. of force to operate. Push buttons shall be adjustable to ensure adequate flow without being wasteful. **WODF-3** fountain shall be lead-free, adhering to ANSI/NSF 61, Section 9, ANSIA117.1. Fixtures in (HC) and (CHD) configurations shall meet American Disabilities Act of 2010 (ADA) compliance requirements.

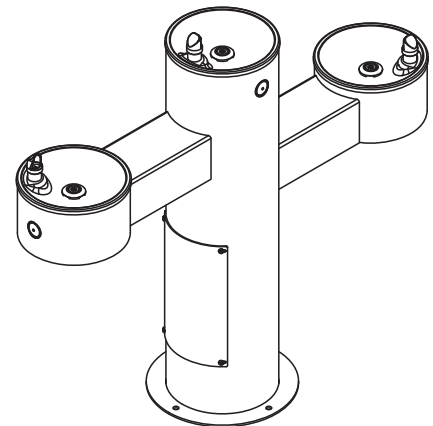
### Standard Features

- \* Adult ADA and Child (JR.) ADA compliant fixture configurations available
- \* Heavy duty Type 304 stainless steel 10" Schedule-10 main column and 7 GA. flange
- \* Optional marine-grade Type 316 stainless steel body for installations near salt water
- \* High polished stainless steel bowls
- \* Solid stainless steel, anti-rotation bubblers
- \* Serviceable mesh strainer on inlet water supply
- \* Heavy-duty main column access panel
- \* Resistant to sunlight, heat and vandalism
- \* Stainless steel adjustable push buttons

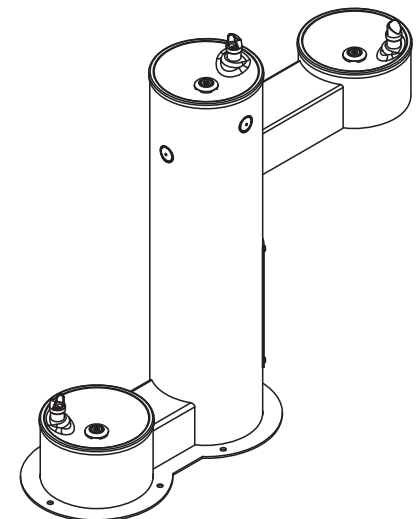
To specify fixture and color, use the Model Number and Options Guide.

Example: To specify a WODF-3 outdoor drinking fountain with Adult ADA and Child-height (JR. ADA) bowls, in Red color

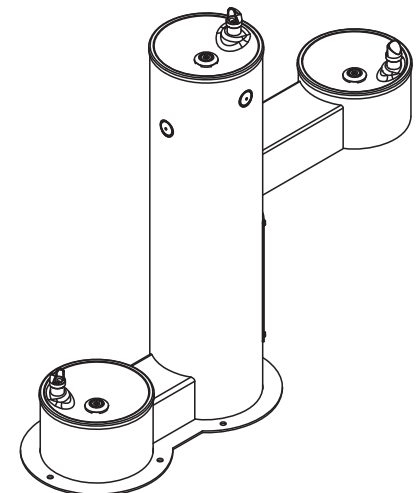
Use the following Willoughby Model Number:  
**WODF-3-HC-CHD-R**



WODF-3-HC-CHD



WODF-3-HC-PET



WODF-3-CHD-PET

visit our website at [www.willoughby-ind.com](http://www.willoughby-ind.com)  
5105 West 78th Street • Indianapolis, IN. 46268  
(317) 875-0830 • Fax: (317) 875-0837 • (800) 428-4065



MADE IN THE U.S.A.

# MODEL NUMBER AND OPTIONS:

## 1.) Outdoor Drinking Fountain Type:

- WODF-3 Three-bowl Outdoor Drinking Fountain

## 2.) Bowl Height (other than main column bowl, select two):

- HC Adult ADA Compliant  
 CHD Child (JR. ADA Compliant)  
 PET Pet

## 3.) Options:

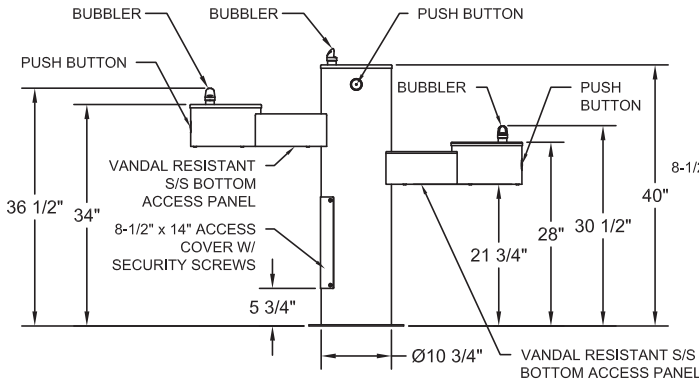
- 316-3 316 Stainless Steel Body, Triple  
 CAR-1 Surface Carrier, Single  
 CAR-2 Surface Carrier, Double  
 SOV Shut Off Valve  
 SCV Seasonal Bowl Covers (3)  
 FRV-3 Freeze Resistant Valve System, Triple  
 JF Jug Filler  
 HBE Hose Bibb Exposed  
 HBLD Recessed Hose Bibb W/Lock Door  
 HBLD-SS Recessed Stainless Steel Hose Bibb w/ Lock Door  
 FW Foot Wash

## 4.) Colors (select one):

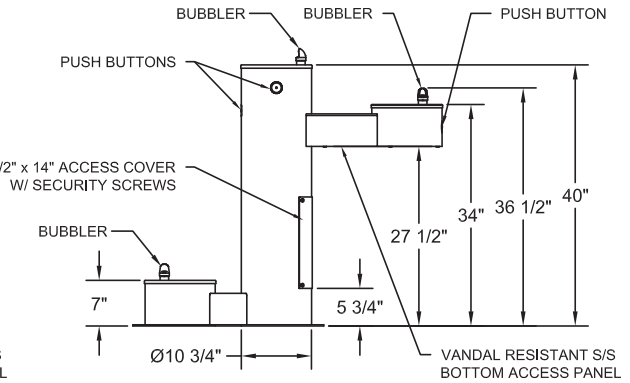
- SL Silver (Silvadillo)  
 G Green  
 R Red  
 BL Blue  
 O Orange  
 V Violet  
 Y Yellow  
 BR Brown  
 BK Black  
 BE Beige  
 W White

Approved For Manufacturing By: \_\_\_\_\_ Date: \_\_\_\_\_ Company: \_\_\_\_\_  
 Wall Thickness: \_\_\_\_\_ Wall Type: \_\_\_\_\_

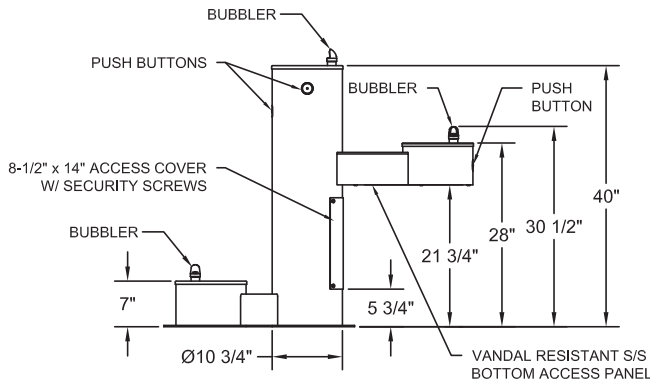
**VERIFY ALL DIMENSIONS WITH FACTORY PRIOR TO ROUGH-IN**  
 WILLOUGHBY RESERVES THE RIGHT TO MAKE CHANGES IN DESIGN AND DIMENSIONS WITHOUT FORMAL NOTICE AND WITHOUT INCURRING OBLIGATION.



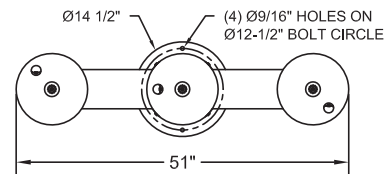
WODF-3-HC-CHD



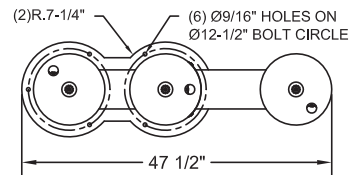
WODF-3-HC-PET



WODF-3-CHD-PET



WODF-3-HC-CHD



WODF-3-HC-PET &  
WODF-3-CHD-PET

visit our website at [www.willoughby-ind.com](http://www.willoughby-ind.com)  
 5105 West 78th Street • Indianapolis, IN. 46268  
 (317) 875-0830 • Fax: (317) 875-0837 • (800) 428-4065



MADE IN THE U.S.A.