

## WODFS Series Outdoor Foot Shower

To specify fixture and options, use the Model Number and Options page.

Example: To specify a WODFS outdoor foot shower with 2 foot shower heads, 1.5 GPM flow rate, 316 stainless steel body/cap/flange, in Silver color

Use the following Willoughby Model Number: **WODFS-2-1.5-316-SL**

### Recommended Specifications

Outdoor Foot Shower shall be:

Willoughby Model No. **WODFS-\_\_\_\_...**

(Select from model number and options list on next page)

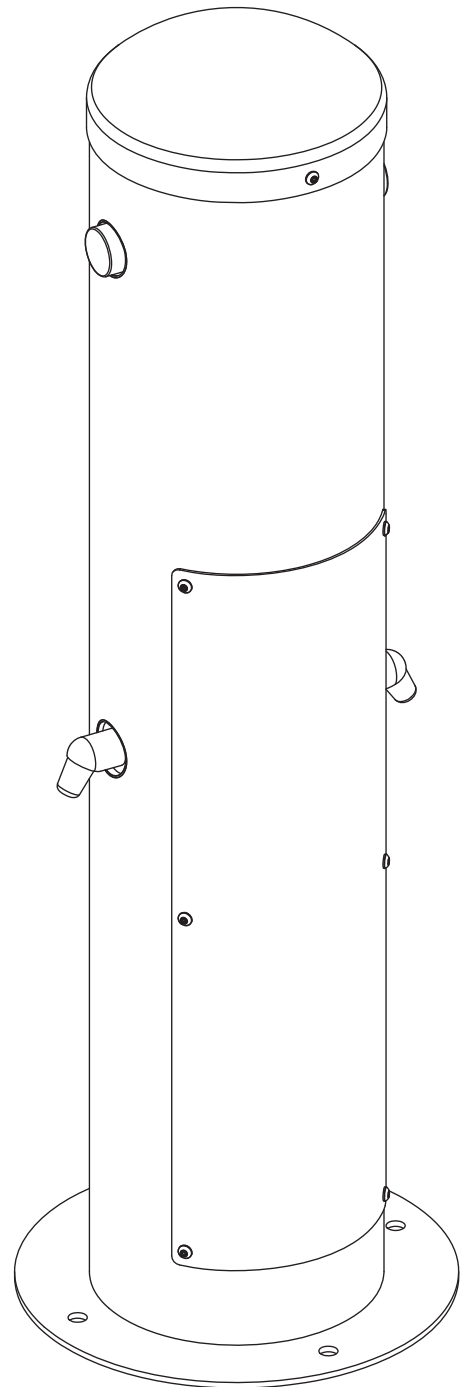
Model **WODFS** outdoor foot shower shall be vandal resistant with a 304 stainless steel 8" Sched. 10 main column and 11 Ga. flange.

Foot shower head(s) shall be activated by recessed mounted solid stainless steel push button assemblies controlling lead-free metering valves. Shower unit is easily winterized by turning off the fixture supply line (shut-off valve by others), disconnecting the flexible supply hoses from the valves, and removing the valves from within the body; all valves are secured using a single-point attachment nut.

Foot shower head(s) shall be Willoughby all-stainless steel (NPS) non-user adjustable shower heads.

Shower unit shall be factory assembled, tested for proper operation and ready for installation by a contractor. Unit to be anchored using 1/2"-13 anchoring bolts (by others).

Optional marine-grade type 316 stainless steel body (main column, flange, and cap) is available for applications in which the unit's exterior may come into contact with salt water.



visit our website at [www.willoughby-ind.com](http://www.willoughby-ind.com)

5105 West 78th Street • Indianapolis, IN. 46268

(317) 875-0830 • Fax: (317) 875-0837 • (800) 428-4065



MADE IN THE U.S.A.

# MODEL NUMBER AND OPTIONS:

## 1.) Outdoor Shower Type:

WODFS Outdoor Foot Shower

## 2.) Foot Showers:

1 Single (1) Foot Shower Head  
 2 Dual (2) Foot Shower Heads

## 3.) Flow Rates:

1.5 GPM (Standard)  
 2.0 GPM  
 2.5 GPM

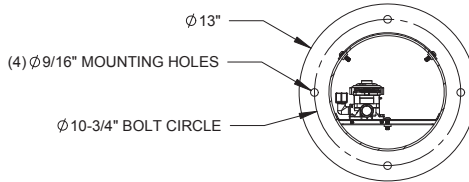
## 4.) Options:

316-ODS 316 Stainless Steel Body For Outdoor Shower  
 HBE Hose Bibb Exposed  
 HBLD Recessed Hose Bibb w/Lock Door  
 HBLD-SS Recessed Stainless Steel Hose Bibb w/Lock Door  
 JF Jug Filler  
 CAR-ODS Surface Carrier For Outdoor Shower

## 5.) Colors (select one):

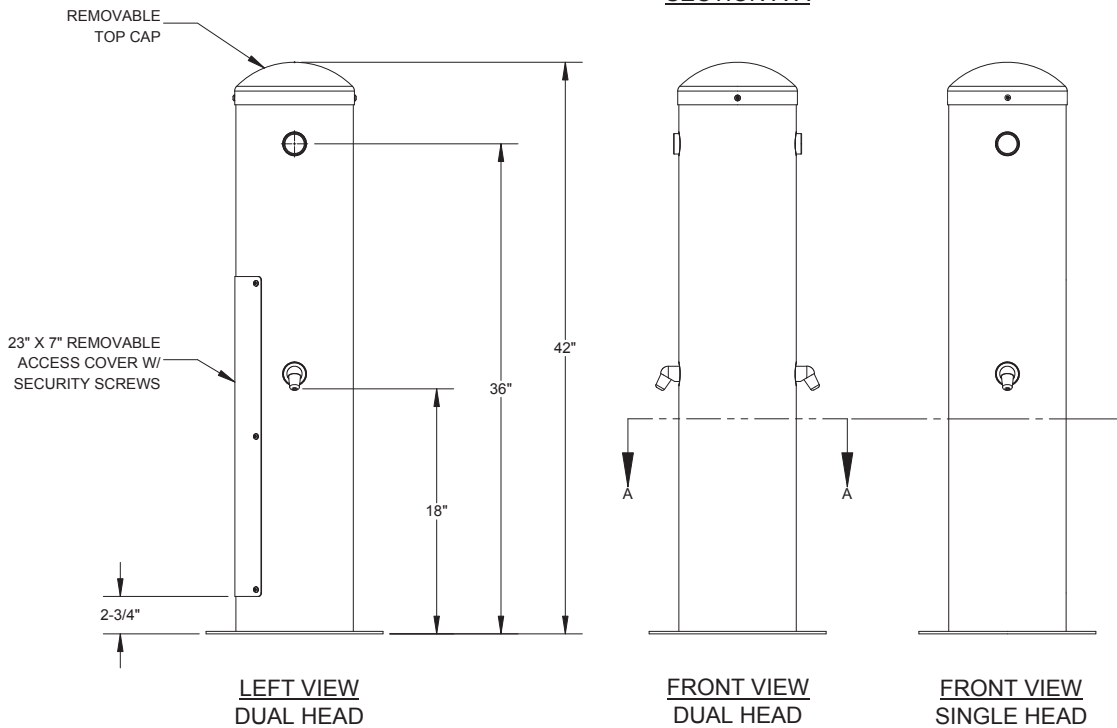
SL Silver (Silvadillo)  
 G Green  
 R Red  
 BL Blue  
 O Orange  
 V Violet  
 Y Yellow  
 BR Brown  
 BK Black  
 BE Beige  
 W White

Approved For Manufacturing By: \_\_\_\_\_ Date: \_\_\_\_\_ Company: \_\_\_\_\_  
 Wall Thickness: \_\_\_\_\_ Wall Type: \_\_\_\_\_



SECTION A-A

**VERIFY ALL DIMENSIONS WITH FACTORY PRIOR TO ROUGH-IN**  
 WILLOUGHBY RESERVES THE RIGHT TO MAKE CHANGES IN DESIGN AND DIMENSIONS WITHOUT FORMAL NOTICE AND WITHOUT INCURRING OBLIGATION.



visit our website at [www.willoughby-ind.com](http://www.willoughby-ind.com)

5105 West 78th Street • Indianapolis, IN. 46268

(317) 875-0830 • Fax: (317) 875-0837 • (800) 428-4065



MADE IN THE U.S.A.