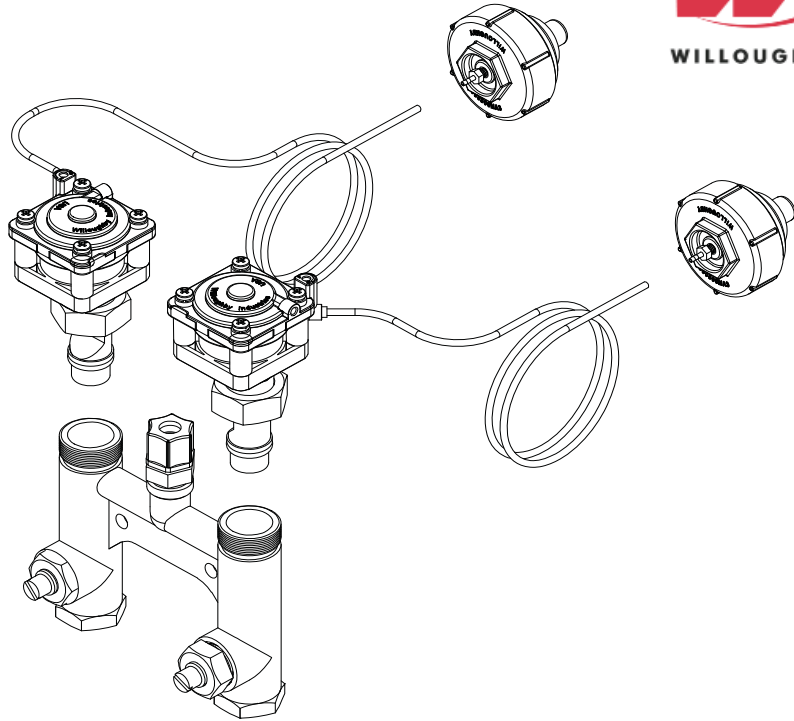


WRMV / WRSCV Retrofit Valve Assemblies



Recommended Specifications

Retrofit Valve Assembly shall be:
Willoughby Model No. **WR__V-__** (Select from options list)

The Willoughby Retrofit Metering Valve Assembly (WRMV) and Willoughby Retrofit Non-metering Valve Assembly (WRSCV) are designed to easily convert single and dual temperature mechanical valve cartridges, pushrods, and toggles to state-of-the-art pneumatically operated metering or non-metering valve assemblies.

Existing Willoughby valve cartridges manufactured since 1985 can be directly replaced with WRMV and WRSCV retrofit valve assembly kits, specifically Willoughby valve models:

- WM-1 (Single temperature mechanical metering)
- WM-2 (Dual temperature mechanical metering)
- WSC-1 (Single temperature mechanical non-metering)
- WSC-2 (Dual temperature mechanical non-metering)

Certain existing competitors' valves may also be converted to pneumatic operation using the Willoughby WRMV or WRSCV retrofit valve assembly kits. However, conversions may require field modification of existing push button holes in fixture; consult with a Willoughby factory representative for additional details.

The WRMV and WRSCV valve assembly kits shall include:

- Push button-operated pneumatic diaphragm pumps
- Non-hold-open metering (5-90 seconds) or non-metering pneumatic valve cartridges
- 5' of 1/8" tubing for each valve

(All components for both the WRMV and WRSCV kits are the same except for the integral pneumatic valves.)

Vandal-resistant stainless steel push buttons attached to the diaphragm pumps activate the integral pneumatic valve within each valve cartridge via 1/8" pneumatic tubing. The vandal-resistant push buttons shall be keyed/non-removable from the front of the fixture and shall require less than 5 lbs of force to operate.

The pneumatic system is entirely self-contained and requires no outside air supply, eliminating traditional mechanical toggles and pushrod components. Recommended operating pressure will be 35-70 psi. Valves shall withstand pressures up to 90 psi.

Model Number:

- WRMV-1B Single Temp. Metering Valves
- WRMV-2B Dual Temp. Metering Valves
- WRSCV-1B Single Temp. Non-metering Valves
- WRSCV-2B Dual Temp. Non-metering Valves