

## WRS-BF-FA Series Front Mounted Recessed Handicap Shower Panel w/ Hand Held Flexshower Head



### Recommended Specifications

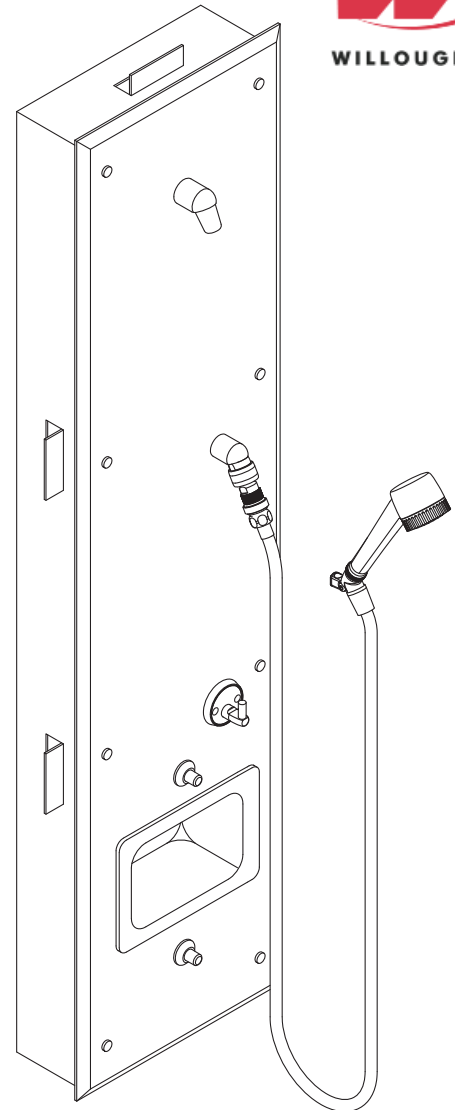
Front Mounted, Recessed Handicap Shower Panel w/  
Hand Held Flexshower Head shall be:  
Willoughby Model No. **WRS-BF-FA**  
(Select from model number and options list on next page)

Shower panel shall be fabricated from 14 gauge, Type 304  
stainless steel with exposed stainless surfaces polished to  
a #4 satin finish. Mounting frame shall be fabricated from  
18 gauge galvanized steel.

Standard equipment shall include:

- Shower valve (Select from Valve Selection options list)
- (NPS) non-adjustable penal shower head
- (FX) Hand held Flexshower head (w/ quick  
disconnect, vacuum breaker, and (1) hook)

Shower panel shall attach to mounting frame with vandal  
resistant stainless steel screws. Unit requires no chase  
area for installation and maintenance.



*(Unit may be shown with optional features)*

To specify fixture and accessories, use the Model Number and Options page.

Example: To specify a Front Mounted, Recessed Handicap Shower Panel w/ Hand Held Flexshower Head with left hand controls, single temp. pneumatic metering valves(manifolded), standard pneumatic push buttons, standard 2.5 GPM flow rate, standard (NPS) and (FX) shower heads, in-line thermostatic mixing valve, and recessed mounted soap dish

Use the following Willoughby Model Number:

**WRS-BF-FA-L-PML1-MA2-PPB-2.5GPM-NPS-FX-TMV-RD**

# MODEL NUMBER AND OPTIONS:

## 1.) Base Model Number:

- WRS-BF-FA Front Mounted, Recessed Handicap Shower Panel  
w/ Hand Held Flexshower Head

## 2.) Panel Orientation (Must Specify):

- L Left Hand Controls  
 R Right Hand Controls

## 3.) Valve Selection:

- NV No Valve  
 PML1 Single Temp. Pneumatic Metering  
 PML2 Dual Temp. Pneumatic Metering  
 E1L1 Single Temp. Electronic (Pick Control)\*  
 E1L2 Dual Temp. Electronic (Pick Control)\*

### Valve Manifold Option:

*Pneumatic or Electronic Valves Only:*

**(See the Manifold Option Page at the end of  
Catalog Section S5 for further information)**

- MA2

## 4.) Push Button Selection:

*Pneumatic or Electronic Valves Only:*

- PPB Pneumatic Push Buttons  
 EPB Electronic Push Buttons\*  
 PZPB Piezo Push Buttons\*

## 5.) Flow Rates:

- 2.5 GPM (Standard)  
 2.0 GPM  
 1.5 GPM

## 6.) Electronic Controls\* (Must Use Electronic Push Button):

- WUSC-2200  WUSC-2400  Pneumatic  WMS II

## 7.) Shower Head Selection:

- NPS Non-adjustable Penal Shower Head (Standard)  
 FX Hand Held Flexshower w/ Quick Disconnect and  
Vacuum Breaker (Standard)  
 APS Adjustable Penal Shower Head

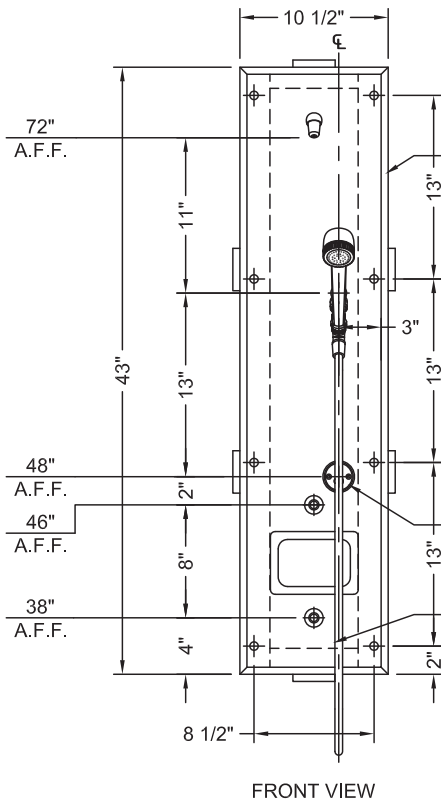
## 8.) Options:

- TMV In-line Thermostatic Mixing Valve  
 TF24H Hard-wired Transformer, 110VAC to 24VAC\*  
 TF24P Plug-in Transformer, 110VAC to 24VAC\*  
 RD Recessed Mounted Soap Dish  
 SD Surface Mounted Soap Dish  
 Other \_\_\_\_\_  
 Other \_\_\_\_\_

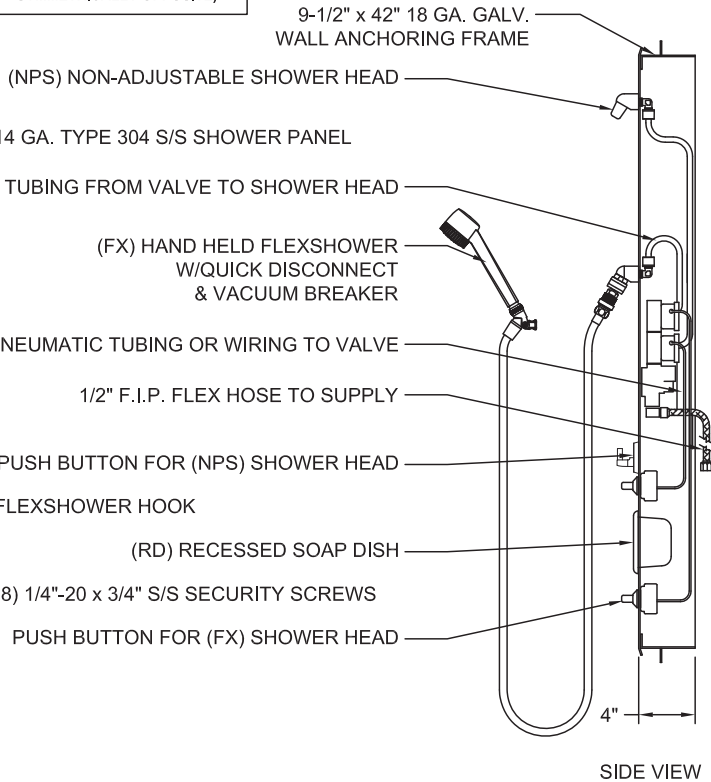
\*(Req. 110V power through ground fault interrupter (GFCI) receptacle)

Approved For Manufacturing By: \_\_\_\_\_ Date: \_\_\_\_\_ Company: \_\_\_\_\_  
Wall Thickness: \_\_\_\_\_ Wall Type: \_\_\_\_\_

VERIFY ALL DIMENSIONS WITH FACTORY PRIOR TO ROUGH-IN  
WILLOUGHBY RESERVES THE RIGHT TO MAKE CHANGES IN DESIGN AND  
DIMENSIONS WITHOUT FORMAL NOTICE AND WITHOUT INCURRING OBLIGATION.



**LEFT HAND CONTROL  
FIXTURE SHOWN**  
(RIGHT HAND FIXTURE IS  
SYMMETRICALLY OPPOSITE)



FRONT VIEW

SIDE VIEW

visit our website at [www.willoughby-ind.com](http://www.willoughby-ind.com)  
5105 West 78th Street • Indianapolis, IN. 46268  
(317) 875-0830 • Fax: (317) 875-0837 • (800) 428-4065



MADE IN THE U.S.A.