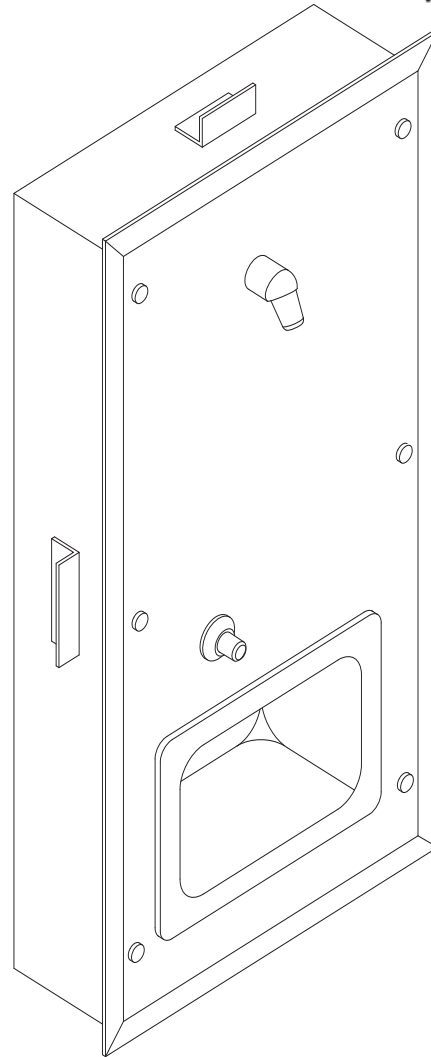


## WRS-FA Series Front Mounted Recessed Shower Panel



*(Unit may be shown with optional features)*

### Recommended Specifications

Front Mounted Recessed Shower Panel shall be:  
Willoughby Model No. **WRS-FA**  
(Select from model number and options list on next page)

Shower panel shall be fabricated from 14 gauge, Type 304 stainless steel with exposed stainless surfaces polished to a #4 satin finish. Mounting frame shall be fabricated from 18 gauge galvanized steel.

Standard equipment shall include:  
- Shower valve (Select from Valve Selection options list)  
- (NPS) non-adjustable penal shower head

Shower panel shall attach to mounting frame with vandal resistant stainless steel screws. Unit requires no chase area for installation and maintenance.

To specify fixture and accessories, use the Model Number and Options page.

Example: To specify a Front Mounted Recessed Shower Panel with single temp. pneumatic metering valve, standard pneumatic push button, standard 2.5 GPM flow rate, standard (NPS) shower head, in-line thermostatic mixing valve, and recessed mounted soap dish

Use the following Willoughby Model Number:  
**WRS-FA-PML1-PPB-2.5GPM-NPS-TMV-RD**

visit our website at [www.willoughby-ind.com](http://www.willoughby-ind.com)

5105 West 78th Street • Indianapolis, IN. 46268  
(317) 875-0830 • Fax: (317) 875-0837 • (800) 428-4065



MADE IN THE U.S.A.

# MODEL NUMBER AND OPTIONS:

## 1.) Base Model Number:

- WRS-FA Front Mounted Recessed Shower Panel

## 5.) Electronic Controls\* (Must Use Electronic Push Button):

- WUSC-2200  WUSC-2400  Pneutronic  WMS II

## 2.) Valve Selection:

- NV No Valve  
 PML1 Single Temp. Pneumatic Metering  
 PML2 Dual Temp. Pneumatic Metering  
 E1L1 Single Temp. Electronic (Pick Control)\*  
 E1L2 Dual Temp. Electronic (Pick Control)\*

## 6.) Shower Head Selection:

- NPS Non-adjustable Penal Shower Head (Standard)  
 APS Adjustable Penal Shower Head

## 3.) Push Button Selection:

*Pneumatic or Electronic Valves Only:*

- PPB Pneumatic Push Buttons  
 EPB Electronic Push Buttons\*  
 PZPB Piezo Push Buttons\*

## 7.) Options:

- TMV In-line Thermostatic Mixing Valve  
 TF24H Hard-wired Transformer, 110VAC to 24VAC\*  
 TF24P Plug-in Transformer, 110VAC to 24VAC\*  
 RD Recessed Mounted Soap Dish  
 SD Surface Mounted Soap Dish  
 Other \_\_\_\_\_  
 Other \_\_\_\_\_

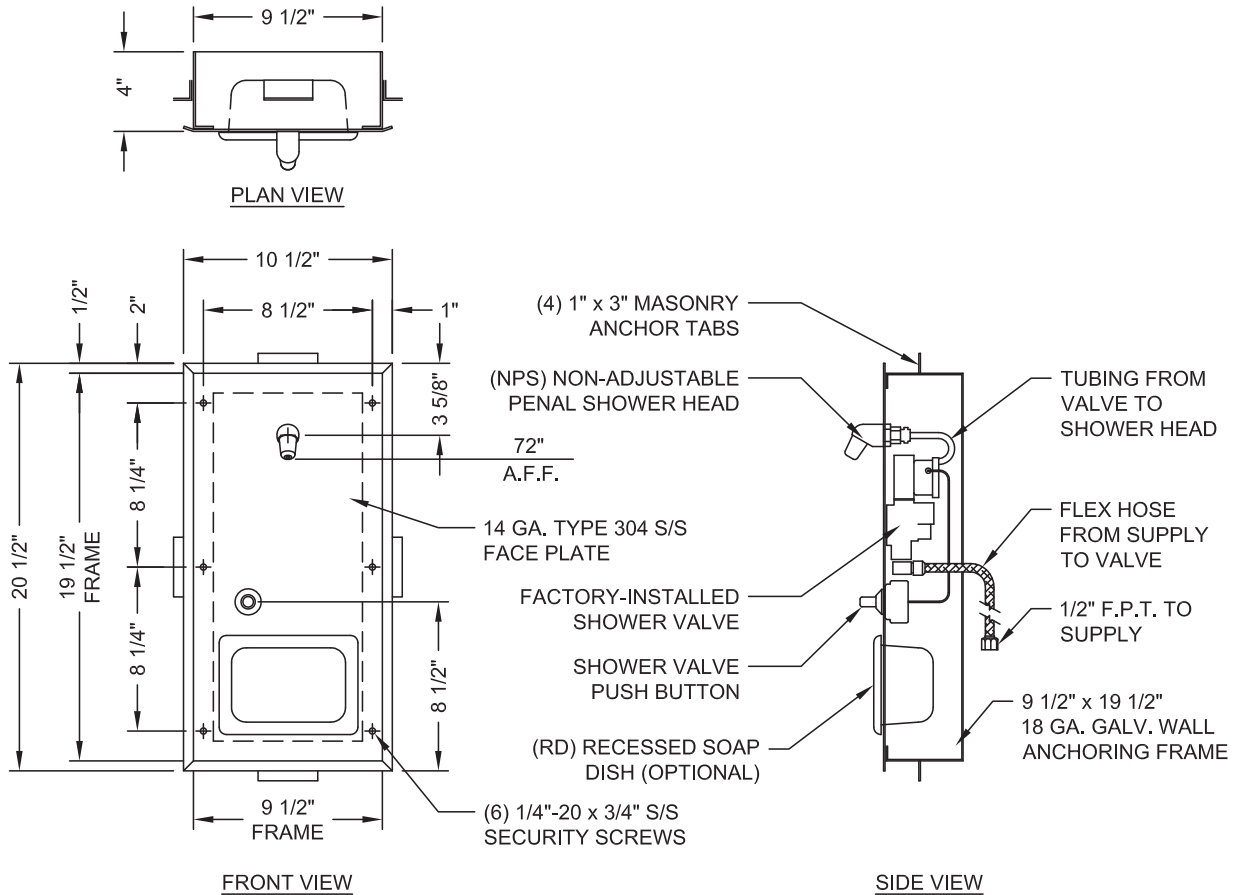
\*(Req. 110V power through ground fault interrupter (GFCI) receptacle)

## 4.) Flow Rates:

- 2.5 GPM (Standard)  
 2.0 GPM  
 1.5 GPM

Approved For Manufacturing By: \_\_\_\_\_ Date: \_\_\_\_\_ Company: \_\_\_\_\_  
 Wall Thickness: \_\_\_\_\_ Wall Type: \_\_\_\_\_

**VERIFY ALL DIMENSIONS WITH FACTORY PRIOR TO ROUGH-IN**  
 WILLOUGHBY RESERVES THE RIGHT TO MAKE CHANGES IN DESIGN AND DIMENSIONS WITHOUT FORMAL NOTICE AND WITHOUT INCURRING OBLIGATION.



visit our website at [www.willoughby-ind.com](http://www.willoughby-ind.com)  
 5105 West 78th Street • Indianapolis, IN. 46268  
 (317) 875-0830 • Fax: (317) 875-0837 • (800) 428-4065



MADE IN THE U.S.A.