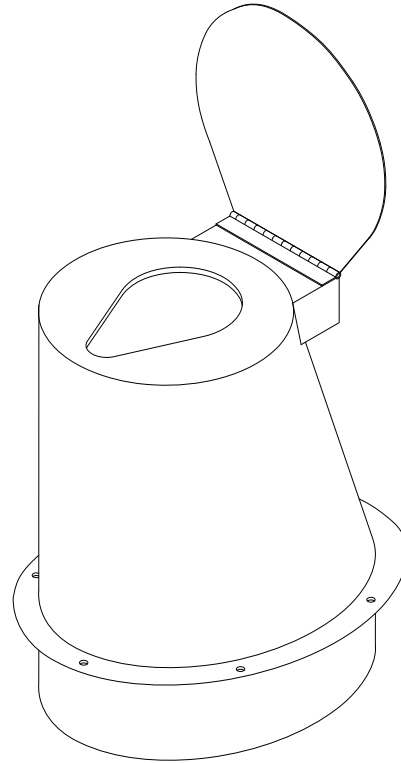


WT-2016 Waterless Toilet



To specify fixture and options, use the Model Number and Options page.

Example: To specify a WT-2016 unit with a white hinged plastic seat:

Use the following Willoughby Model Number: WT-2016-HS-White

Recommended Specifications

Waterless toilet shall be Willoughby Model No. **WT-2016**.

This unit is designed for use in parks, campgrounds, farms and wilderness areas where traditional waste systems are not available. Unit is designed for installation over vented pits. Fixture body shall be fabricated from 18 gauge type 304 stainless steel. Below floor extension is fabricated from 24 gauge type 304 stainless steel.

The construction shall be spot welded with exposed stainless surfaces polished to a #4 finish.

Waterless toilet shall include: 18 gauge stainless steel seat with piano hinge and 1 1/2" wide floor flange with 3/8" anchor holes. Anchoring hardware by others.

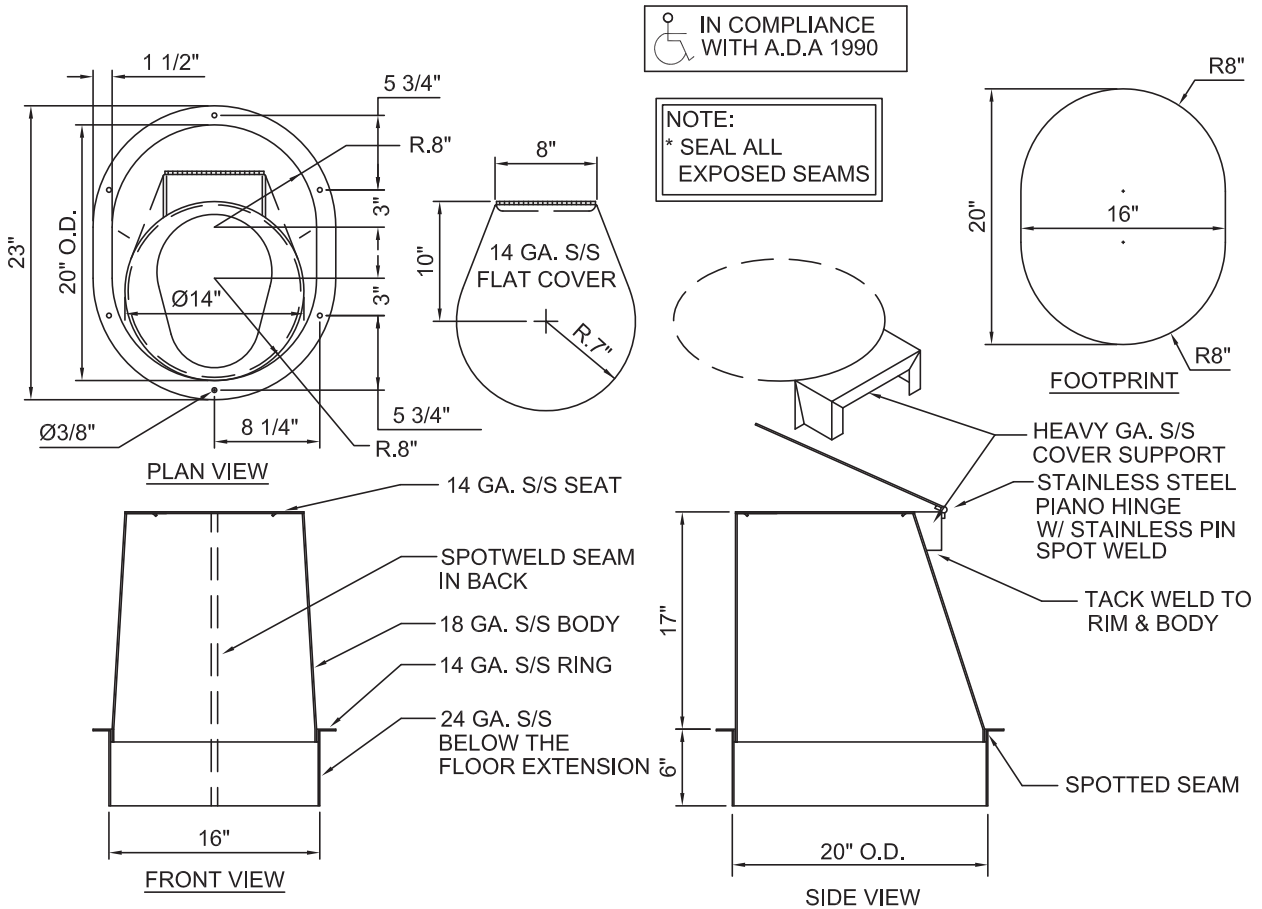
MODEL NUMBER AND OPTIONS:

1.) Options:

HS Hinged White Plastic Seat

Approved For Manufacturing By: _____ Date: _____ Company: _____
 Wall Thickness: _____ Wall Type: _____

VERIFY ALL DIMENSIONS WITH FACTORY PRIOR TO ROUGH-IN
 WILLOUGHBY RESERVES THE RIGHT TO MAKE CHANGES IN DESIGN AND DIMENSIONS WITHOUT FORMAL NOTICE AND WITHOUT INCURRING OBLIGATION.



visit our website at www.willoughby-ind.com
 5105 West 78th Street • Indianapolis, IN. 46268
 (317) 875-0830 • Fax: (317) 875-0837 • (800) 428-4065



MADE IN THE U.S.A.