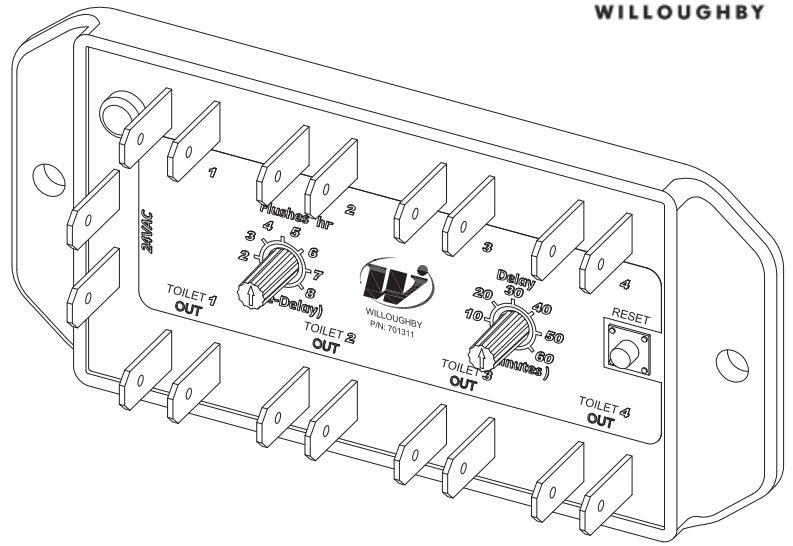


## WUFC-4000 Electronic Water Usage Flush Controller



### Recommended Specifications

Electronic Water Usage Flush Controller shall be Willoughby Model: **WUFC-4000**

Flush Controller is a stand-alone electronic module designed to control the operation of an electronic push button toilet flush valve on a Toilet fixture from the utility chase.

Each Flush Controller shall be capable of controlling up to 4 low-voltage solenoid flush valves.

Controller manufacturer shall supply a hard-wire 120/24 VAC 40VA step down transformer (option TF24H) with each controller. A plug-in transformer is also available (option TF24P). Flush Controller shall retain all functional settings after the event of power interruption. All electronic circuitry shall be encased in a water-resistant, epoxied enclosure. As with all electrical and electronic equipment, avoid contact with water, especially once connected to the power supply.

### Standard Features

Each valve activation shall be controlled by a vandal-resistant, stainless steel push button (sold separately). Each push button shall require less than 5 lbs. of force to activate.

All solenoid valves shall be non-hold-open and all metering times shall be adjustable using the Flushes (Pre-delay) and Flush Delay control dials:

- (1 to 8 flushes, within 60 minute time period, before delay)  
A preset re-initiate delay feature shall be provided to control amount of fixture toilet use within a 60 minute time period. Once a fixture flush valve has been activated the maximum number of flushes within a 60 minute time period, flushing function will be locked-out for the Pre-delay time period between 0 to 60 minutes.
- (4 sec. to 60 min. flush delay) Standard parallel pre-initiate delay feature shall insert a 4 second time delay between toilet flushes, with a maximum time delay of 60 minutes.

All input, output, and power functions of the Flush Controller shall have corresponding LED diagnostic lights for testing and monitoring. A reset push button on the controller will enable maintenance personnel to reset functionality from the chase.

# MODEL NUMBER AND OPTIONS:

**1.) Control System:**

- WUFC-4000      Electronic Water Usage Flush Controller  
(Contains Controller and all necessary cabling for installation, P/N: WUFC-KIT)

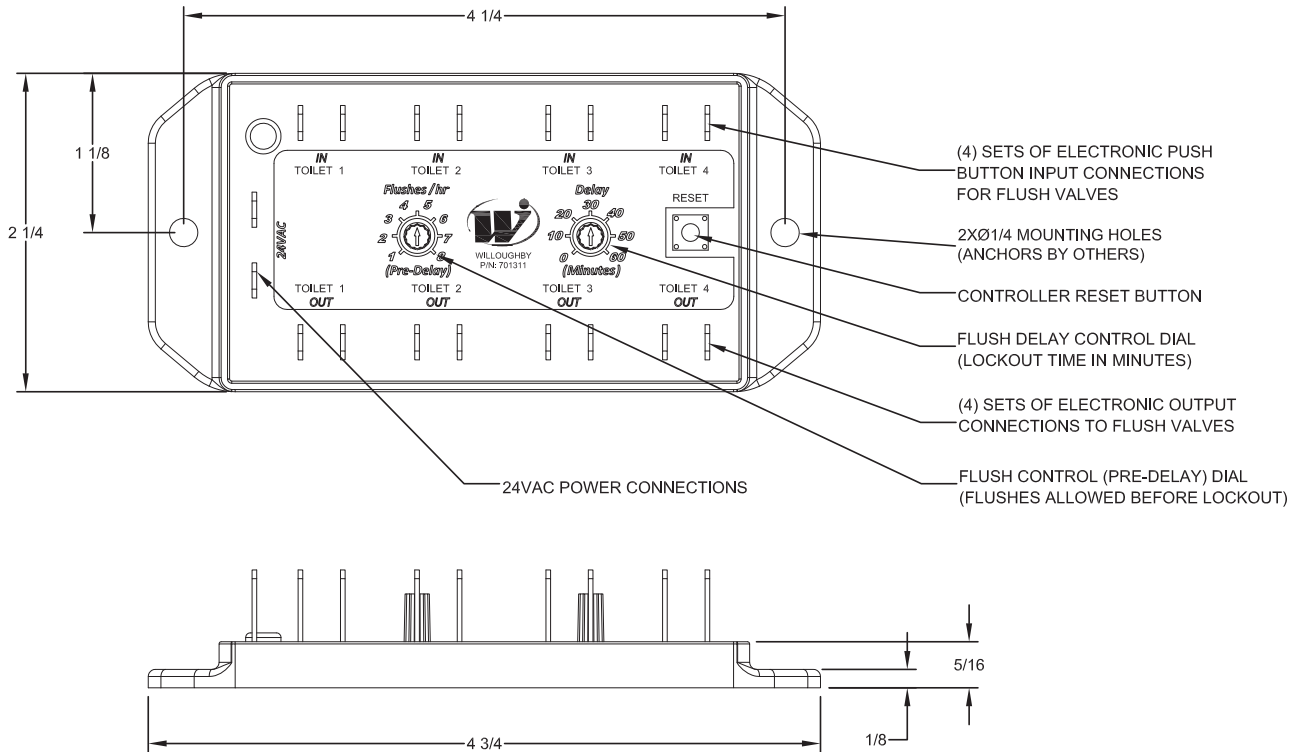
**2.) Other Options:**

- TF24H      Hard-wired Transformer, 110VAC to 24VAC\* (Standard)
- TF24P      Plug-in Transformer, 110VAC to 24VAC\*
- Other \_\_\_\_\_
- Other \_\_\_\_\_

\*(Req 110V power through ground fault interrupter (GFCI) receptacle)

Approved For Manufacturing By: \_\_\_\_\_ Date: \_\_\_\_\_ Company: \_\_\_\_\_  
 Wall Thickness: \_\_\_\_\_ Wall Type: \_\_\_\_\_

**VERIFY ALL DIMENSIONS WITH FACTORY PRIOR TO ROUGH-IN**  
 WILLOUGHBY RESERVES THE RIGHT TO MAKE CHANGES IN DESIGN AND DIMENSIONS WITHOUT FORMAL NOTICE AND WITHOUT INCURRING OBLIGATION.



visit our website at [www.willoughby-ind.com](http://www.willoughby-ind.com)  
 5105 West 78th Street • Indianapolis, IN. 46268  
 (317) 875-0830 • Fax: (317) 875-0837 • (800) 428-4065



MADE IN THE U.S.A.