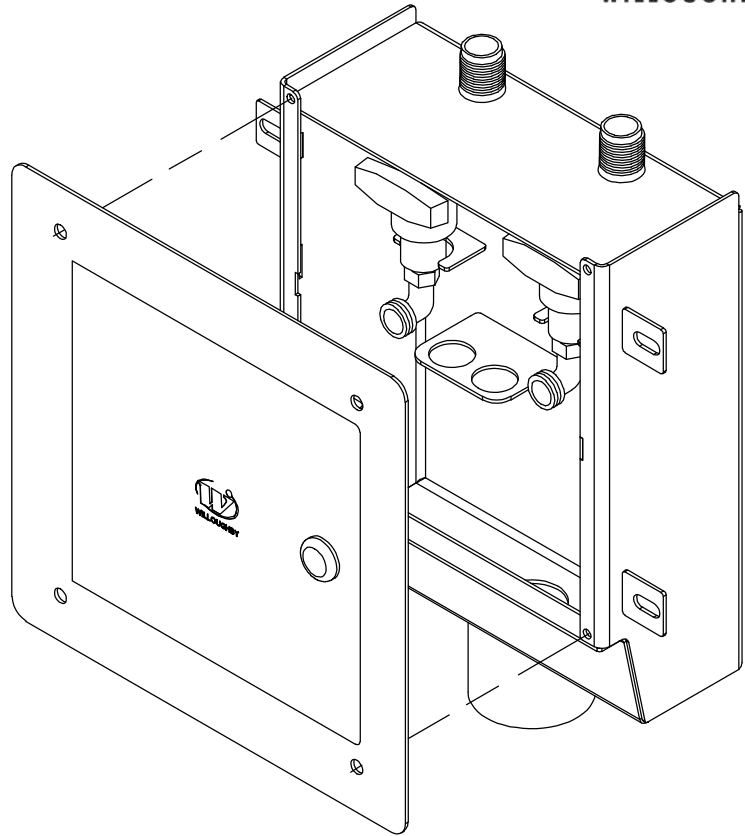


DB Series Dialysis Supply and Waste Box



Recommended Specifications

Dialysis Supply and Waste Box shall be: Willoughby Model No. **DB-**_____ (Select from model number and options list on next page)

The Dialysis Box shall be fabricated from Type 316 stainless steel with continuous-welded seams. Wall flange and door shall be Type 316 stainless steel. Ball valves and fittings shall be NSF-61 PVC (polyvinyl chloride) and nylon for corrosion resistance with seals in the ball valve. Fittings shall be provided to enable flushing of the supply line.

Technical Data

Dialysis Supply:

Standard supply valves and fittings are PVC (polyvinyl chloride) and nylon (Stainless steel valves and fittings are an available option). The ball-type valves included with the box will have O-ring seals and shall be securely anchored to the box. The valves are furnished with flushing fittings for connecting to the valve outlets when the supply line is flushed into the waste receptor.

Waste Box / Receptor:

All Dialysis Box components that come into contact with waste water are fabricated using Type 316 stainless steel with continuous-welded seams. Both the interior of the box as well as exposed parts of the waste receptor will have a standard satin finish. The rigid, welded hose bracket can hold up to two discharge hoses. The waste outlet is a 2-3/8" O.D. stainless steel tail-piece and can be connected directly to a nominal 2" glass or plastic drain line with a mechanical coupling.

Wall Flange and Door:

An adjustable wall flange is provided to cover any space between the wall and box and is securely anchored with phillips head screws at each corner. A lockable door with cylinder lock and two keys is an available option. Both the wall flange and door are fabricated from Type 316 stainless steel.

visit our website at www.willoughby-ind.com
5105 West 78th Street • Indianapolis, IN. 46268
(317) 875-0830 • Fax: (317) 875-0837 • (800) 428-4065



MADE IN THE U.S.A.

MODEL NUMBER AND OPTIONS:

1.) Base Model Number:

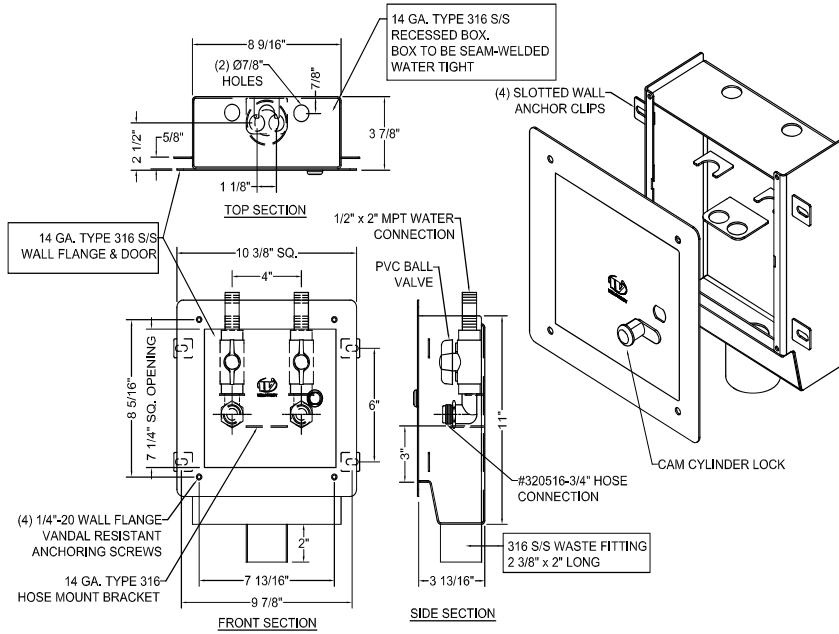
- DB-8190 Two-valve Supply Dialysis Box w/ Wall Flange, Less Door
- DB-8191 One-valve Supply Dialysis Box w/ Wall Flange, Less Door
- DB-8195 Two-valve Supply Dialysis Box w/ Wall Flange and Locking Door
- DB-8196 One-valve Supply Dialysis Box w/ Wall Flange and Locking Door

2.) Other Options:

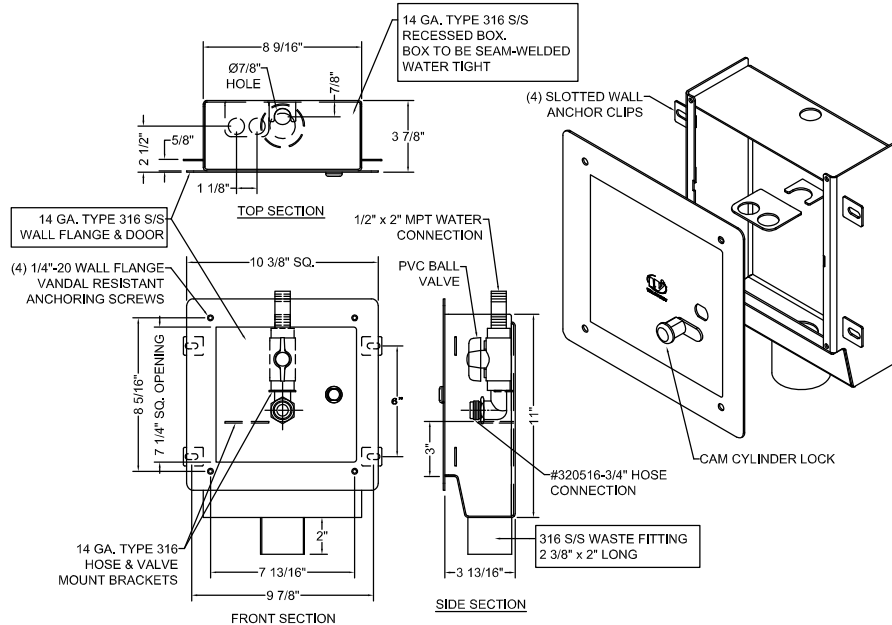
- SSVF Stainless Steel Ball Valves and Fittings
- Other _____
- Other _____

Approved For Manufacturing By: _____ Date: _____ Company: _____
 Wall Thickness: _____ Wall Type: _____

DB-8195



DB-8196



VERIFY ALL DIMENSIONS WITH FACTORY PRIOR TO ROUGH-IN
 WILLOUGHBY RESERVES THE RIGHT TO MAKE CHANGES IN DESIGN AND DIMENSIONS WITHOUT FORMAL NOTICE AND WITHOUT INCURRING OBLIGATION.

visit our website at www.willoughby-ind.com
 5105 West 78th Street • Indianapolis, IN. 46268
 (317) 875-0830 • Fax: (317) 875-0837 • (800) 428-4065



MADE IN THE U.S.A.