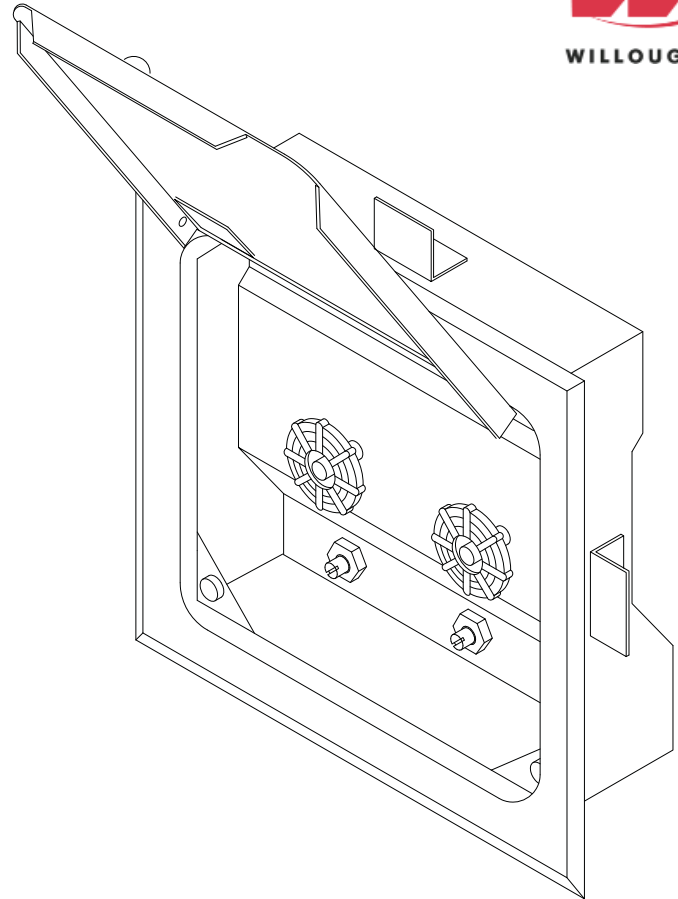


RSB-8201 Dual Temperature Remote Supply Box



Recommended Specifications

Dual Temperature Remote Supply Box shall be:
Willoughby Model No. **RSB-8201**
(Select from model number and options list on next page)

Remote supply wall box is 18 GA, Type 304 stainless steel with a glass blast finish interior, and exposed surfaces polished to a satin finish. The wall box exterior includes mounting clips for anchoring the box to the wall construction.

Removable stainless steel wall flange is 16 GA, Type 304 stainless steel and includes a removable locking door with cylinder lock. Door hinges are concealed type, and door is easily removed after opening by releasing the hinge pins. Exterior wall flange and door are polished to a satin finish.

Standard equipment shall include:

- 1/2" compression valves
- Atmospheric vacuum breaker
- Screwdriver stops (allow servicing the control valve without shutting down the water supply)
- Removable cylinder lock and two keys

The valve and stop feature tamper-resistant lock-shield bonnets and replaceable cartridges containing all wearing parts.

Supply inlet is 1/2" F.I.P.

visit our website at www.willoughby-ind.com
5105 West 78th Street • Indianapolis, IN. 46268
(317) 875-0830 • Fax: (317) 875-0837 • (800) 428-4065



MADE IN THE U.S.A.

MODEL NUMBER AND OPTIONS:

1.) Base Model Number:

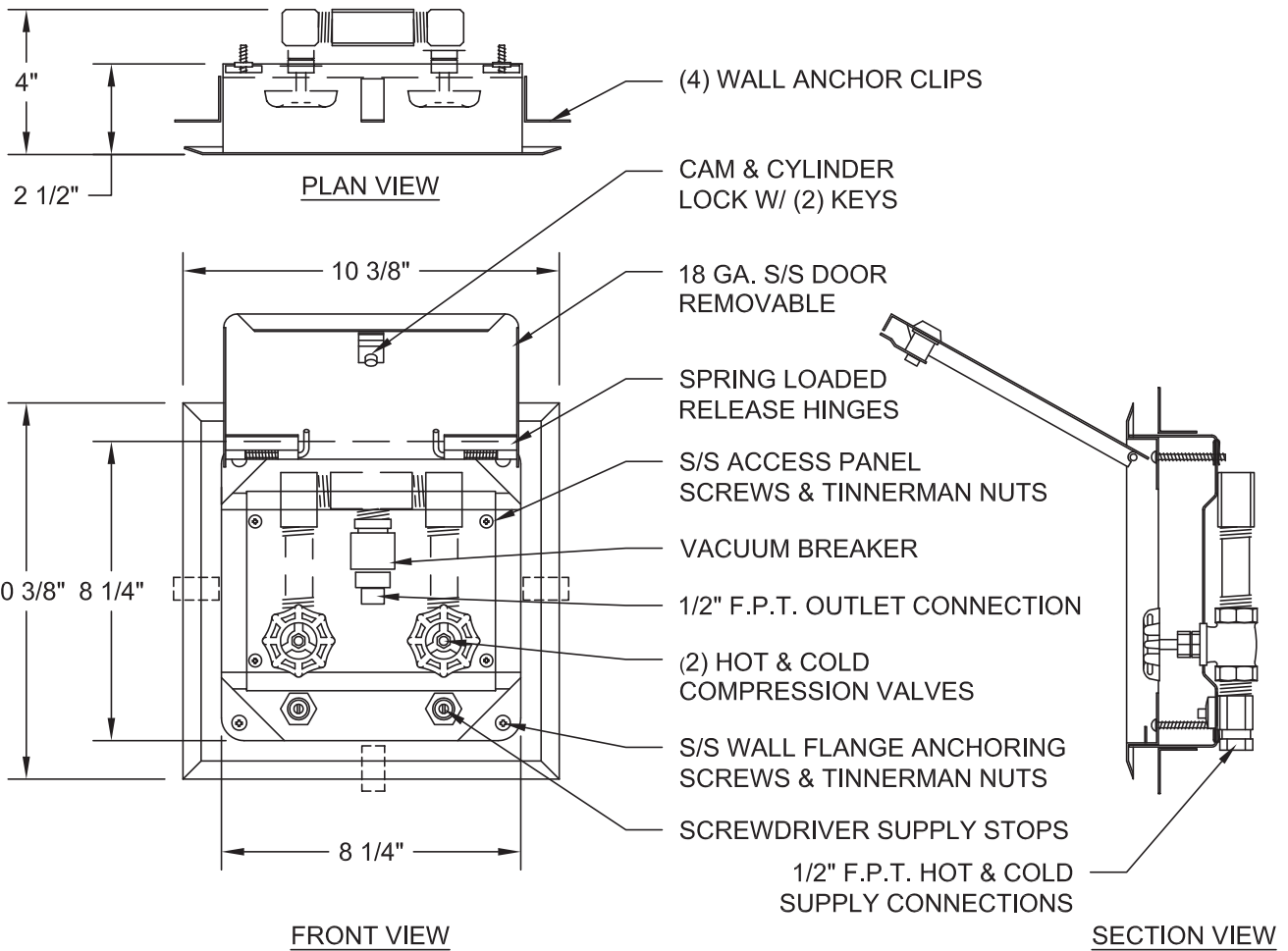
RSB-8201 Dual Temperature Remote Supply Box

2.) Other Options:

Other _____
 Other _____

Approved For Manufacturing By: _____ Date: _____ Company: _____
 Wall Thickness: _____ Wall Type: _____

VERIFY ALL DIMENSIONS WITH FACTORY PRIOR TO ROUGH-IN
 WILLOUGHBY RESERVES THE RIGHT TO MAKE CHANGES IN DESIGN AND DIMENSIONS WITHOUT FORMAL NOTICE AND WITHOUT INCURRING OBLIGATION.



visit our website at www.willoughby-ind.com
 5105 West 78th Street • Indianapolis, IN. 46268
 (317) 875-0830 • Fax: (317) 875-0837 • (800) 428-4065



MADE IN THE U.S.A.