

Installation & Operation Manual

Willoughby AquaDecks™

WAD-2230 Series

WAD-2235 Series

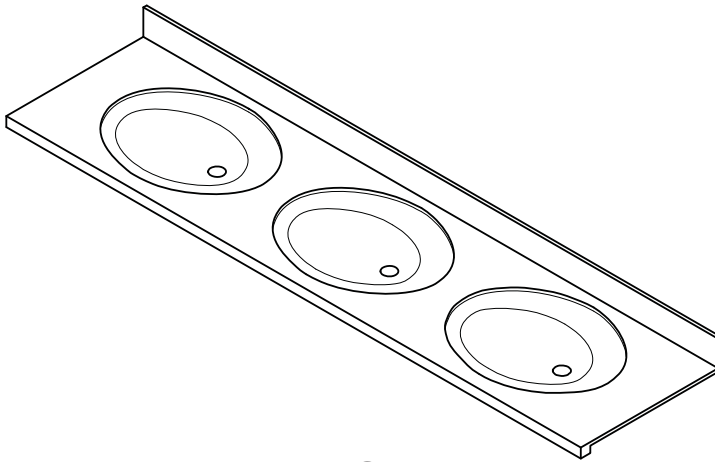
WAD-2240 Series

WAD-2250 Series

WAD-2260 Series

Table of Contents

General Physical Dimensions.....	2
Rough-in Dimensions	3
Parts and Installation Instructions.....	4
Care and Maintenance	5
Warranty.....	6



WAD Series



WILLOUGHBY

Rev. 4/2015

Willoughby Industries, Inc.

5105 West 78th Street

Indianapolis, IN 46268

Toll Free: (800) 428-4065

Local: (317) 875-0830

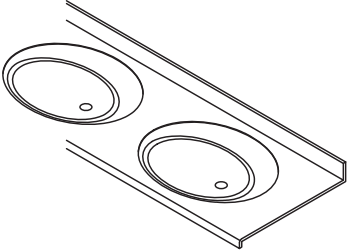
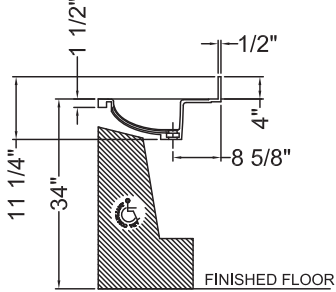
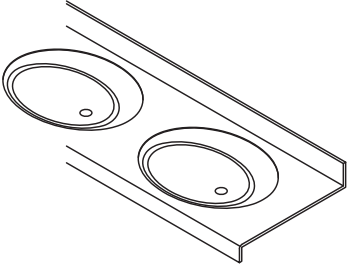
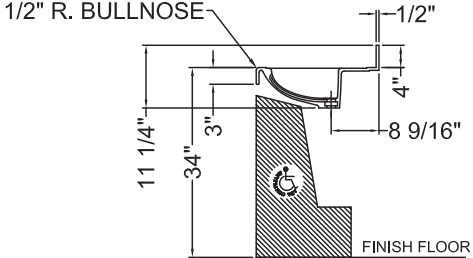
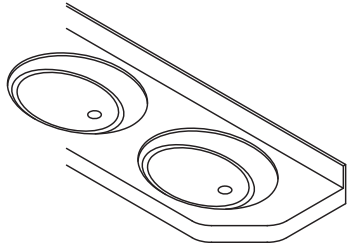
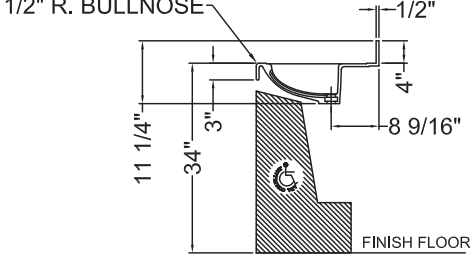
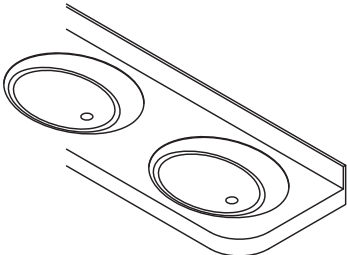
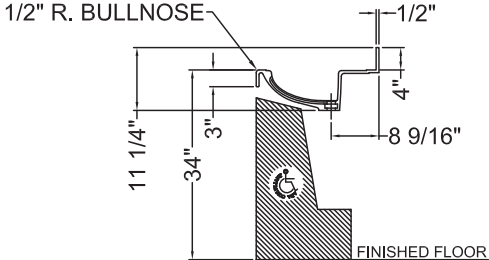
Fax: (317) 875-0837

www.willoughby-ind.com

MADE IN THE U.S.A.



General Physical Dimensions

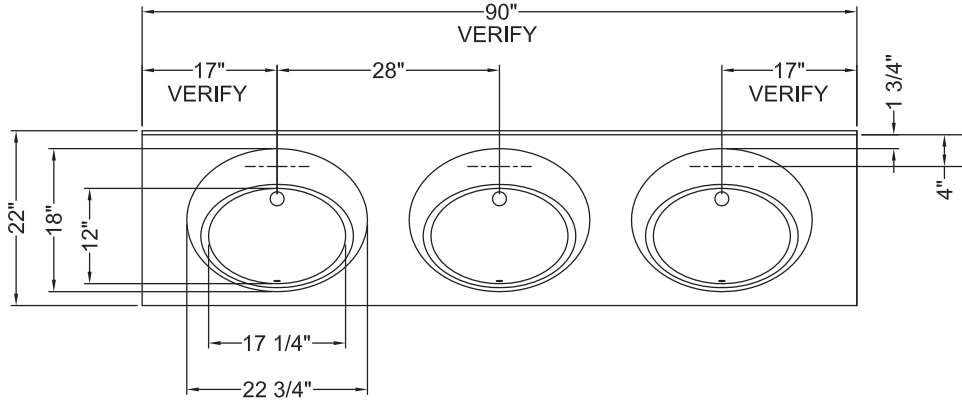
Model Number	Corner Configuration	Cross-Section
WAD-2230-*		
WAD-2235-*		
WAD-2240-*		
WAD-2250-*		

* NOTE: The model number suffix is the number of bowls, e.g. WAD-2230-2 for a two-station.

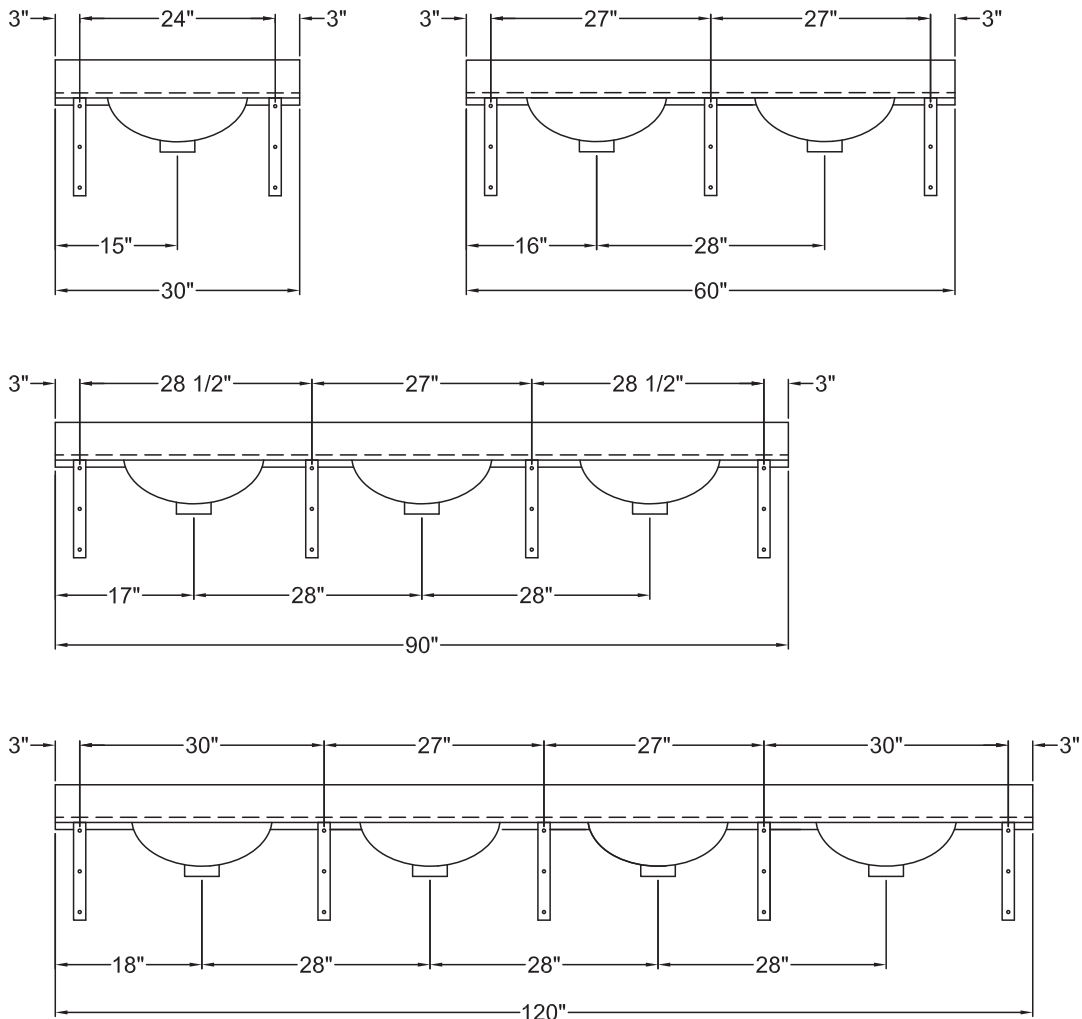
Rough-in Dimensions

These dimensions are typical for all four series of AquaDecks™. There is 28" from bowl centerline to centerline. The overall length for any standard AquaDeck™ is equal the number of bowls x 30"

Top View (three-station)



Front View (one-, two-, three-, and four-station)

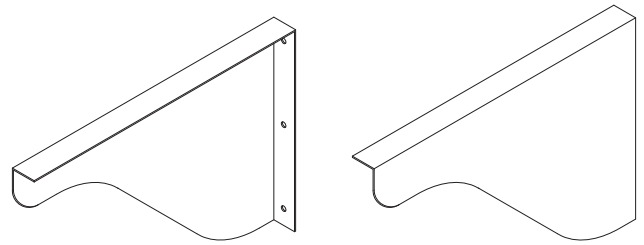


Parts and Installation Instructions

Parts supplied:

- AquaDeck™ lavatory deck
- Mounting brackets
- Mounting bracket screws and washers

Note: Wall mounting fasteners by others.



LEFT HAND

RIGHT HAND

AQUADECK MOUNTING BRACKETS

Installation Instructions:

- 1.) Measure and mark a level line on the wall at 5/8" below the desired counter top height (this line is a guide for the top of the brackets).
- 2.) Measure and mark the bracket locations as shown below. Drill holes in the wall using mounting bracket as a template.
- 3.) Install wall anchors that are suitable for wall material (supplied by others). Some wall materials will require additional reinforcement.
- 4.) Secure the mounting brackets to wall. Use left and right brackets as needed.

Note: Be sure mounting bracket is level and plumb against wall so that lavatory will drain correctly once assembly is completed.

- 5.) Measure and cut hole(s) in AquaDeck™ top per faucet manufacturer's specifications.
- 6.) Apply silicone flexible adhesive (by others) to top surface of wall brackets.
- 7.) With the help of another person, place AquaDeck™ on wall brackets and align.

Care and Maintenance

Solid Surface Care

Aquasurf® surfaces may be easily cleaned using conventional cleaning agents such as an ammonia based liquid cleaner, (glass cleaner).

Dry stains on a matte finish can be removed with a 3M Scotch-Brite gray scouring pad or a mild abrasive cleaner.

Burns or scorches can be removed by sanding with coarse grit sandpaper followed by finer grit (220) sandpaper. Follow sanding with a 3M Scotch-Brite gray pad (or equivalent) to match finish of sanding area to surrounding area. A final buffing may be required on polished surfaces. Accidental nicks or chips can be repaired with special patch kits available in all Aquasurf® colors.

Avoid exposing Aquasurf® surfaces to strong chemicals such as acetone's; paint removers and sulfuric acid or hydrochloric chemical cleaners. Exposure to strong chemicals may result in permanent damage to Aquasurf® surfaces.

Stainless Steel Care

Stainless Steels are basically alloys of iron and chromium and are corrosion resistant. Stainless steel has a bright surface that is easy to clean and is free from oxides. Therefore, cleaning of stainless steel is relatively simple and easy if done on a regular basis.

Frequency of cleaning should depend on the rate at which the fixture becomes dirty. Remember that fresh (soft) deposits of all kinds are relatively easy to remove, while removing older (hard) deposits are much more difficult. Establish a cleaning SCHEDULE.

Routine cleaning should involve ordinary soap or detergent and water, applied with a sponge, brush or cloth. Baking soda, borax or any of several non-abrasive commercial cleansing agents can help hasten the cleaning action. After scrubbing, rinse THOROUGHLY and wipe dry.

DO NOT use common steel wool, scouring pads, scrapers, wire brushes, files or other steel tools to clean stainless steel. Such items will scratch the surface or leave small particles of iron imbedded in the surface, which will eventually rust and stain the surface - even appearing as if the stainless itself was rusting.

Certain chemical compounds, if used on stainless steel, can give the appearance of rust and if allowed to stand for long periods of time, can pit the surface of even stainless. Products containing hydrochloric acid, muriatic acid or potassium hydrochloride can ruin the surface.

Warranty

Aquasurf® Solid Surface Products are a homogeneous blend of resins, mineral filler and colorant manufactured for panels, molded and/or shaped products and components. Aquasurf® Solid Surface products provide a luxurious appearance with the durability of stain proof, impact resistant, burn resistant material with ease of maintenance and cleaning.

Willoughby Industries, Inc. warrants to commercial and institutional purchasers only that each unit will be free from defects in workmanship and materials under normal use and service upon the following terms and conditions. The period during which Aquasurf® components are warranted as follows:

1. Aquasurf® solid surface components are warranted for 2 years from date of shipment.
2. All other components warranted for 1 year from date of shipment.

This warranty does not cover installation or any other labor charges and does not apply to any components damaged by accident, abuse, improper installation or improper maintenance. This warranty does not cover any installation that did not comply with national, state and local building, plumbing or electrical codes. The warranty is limited to replacing or repairing at Willoughbys option, transportation charges prepaid by the purchaser, any Aquasurf® component or part which upon our inspection shall be deemed as defective within the limitations of this warranty. The replacement or repair of defective units as stated in this warranty shall constitute the sole remedy of the purchaser and the sole liability of Willoughby Industries, Inc. Willoughby Industries, Inc. shall not otherwise be liable under any indirect damages caused by defects in the repair or replacement thereof.

This warranty only extends to commercial and institutional purchasers and does not extend to any others, including consumer customers of commercial institutional purchasers. This warranty is in lieu of all other warranties, expressed or implied, including implied warranty of merchantability or fitness or a particular purpose or otherwise.