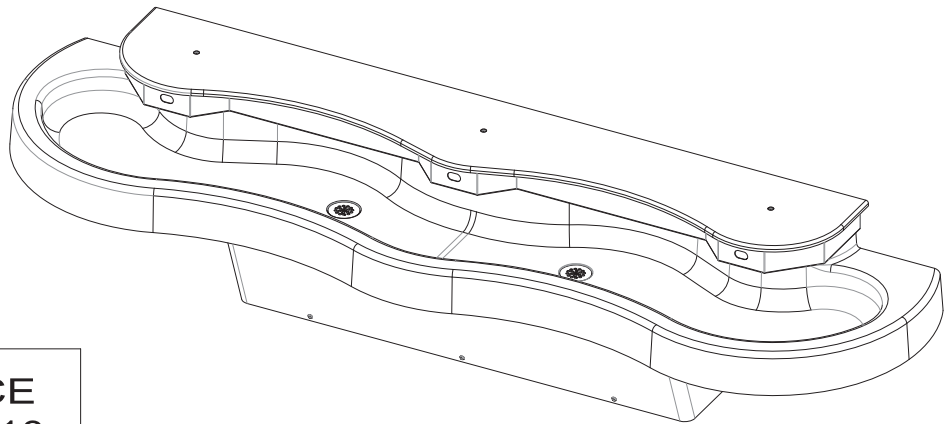


WAW-2333 AquaWave® Three Station Solid Surface Lavatory System



(Unit may be shown with optional features)

Recommended Specifications

To specify fixture and accessories, use the Model Number and Options page.
Example: To specify a three station AquaWave® lavatory with standard wall mounting (34" rim height), battery operated infrared sensors, Grey Granite color, and liquid soap dispensers
Use the following Willoughby Model Number:
WAW-2333-WALL-BO-GG-LSD

AquaWave® Three Station, Solid Surface Lavatory System shall be: Willoughby Model No. **WAW-2333** (select from model number and options list on next page)

AquaWave® Lavatory System shall accommodate 1-3 users simultaneously. The lavatory system bowl, and top are constructed of Aquasurf® molded cast polymer densified solid surface material composed of polyester/acrylic resin, UV stabilizer, aluminum trihydrate and mineral fillers. The pre-assembled water distribution head and low-profile pedestal base shall be constructed of heavy gauge, Type 304 stainless steel (the pedestal backplate is galvanized). Exposed stainless steel surfaces shall be polished to a #4 satin finish.

Push buttons and water spray nozzles shall be constructed of type 303 stainless steel. The drain grates shall be constructed of heavy gauge stainless steel. The pre-assembled sprayhead module shall be equipped with independent spray nozzles controlled by push buttons or infrared sensors. Flow restrictors shall maintain flow rates at 0.5 GPM per station.

AquaWave® Lavatory Systems shall be supplied with thermostatic mixing valves, integral checkstops, drain spuds, flexible supply hoses, control valves, color coded water lines, and Class II 120/24 VAC plug-in transformers (as needed)*. Operating supply water pressure range is 25-80 PSI.

Vandal resistance:

The spray nozzles, push buttons, infrared sensors, and escutcheons are secured to the unit from within the head kit. Valves, water supplies, and waste connections are concealed within the pedestal. Removable shroud is secured with vandal-resistant security Torx screws. The Aquasurf® solid surface material is resistant to stains, impact and burns. Surface damage can be easily repaired with everyday cleansers and/or fine grit abrasives.

ADA, TAS, and ANSI Compliant:

The lavatory is designed to comply with all applicable ADA, TAS, and ANSI Z124.3 and Z124.6 accessibility guidelines, whether mounted at standard adult rim height (34" Max AFF) or (JR) junior height (31" Max AFF).

Optional Features:

AquaWave® Lavatory Systems offer liquid soap dispensers as optional accessories. A wall mounted stainless steel kick plate (KPWF) is available for installations with floor-based plumbing rough-ins.

* *Note:* Plug-in transformer must be used with a ground fault interrupter (GFCI) receptacle to prevent possible electrical shock.



WARNING: Cancer and Reproductive Harm

- www.P65Warnings.ca.gov

visit our website at www.willoughby-ind.com
5105 West 78th Street • Indianapolis, IN. 46268
(317) 875-0830 • Fax: (317) 875-0837 • (800) 428-4065



MADE IN THE U.S.A.

MODEL NUMBER AND OPTIONS:

1.) Washfountain Model:

WAW-2333 AquaWave® 3 Station Solid Surface Lavatory System

2.) Pedestal Type:

WALL Wall Mounted, Low-profile, All-Stainless Steel Shroud (Standard)

3.) Junior Height Option:

JR Junior Height (31" Rim Height, JR. ADA Compliant)

4.) Valve Actuation:

- PPB1 Standard Pneumatic Push Buttons for Single Temperature Pneumatic Metering
- PZPB1 Ligature-resistant Piezo Electronic Push Buttons for Single Temperature Electronic (w/ Pneutronic Control)*
- IR Infrared Sensors, Hard-wired*
- BO Infrared Sensors, Battery Operated

5.) Solid Surface Colors:

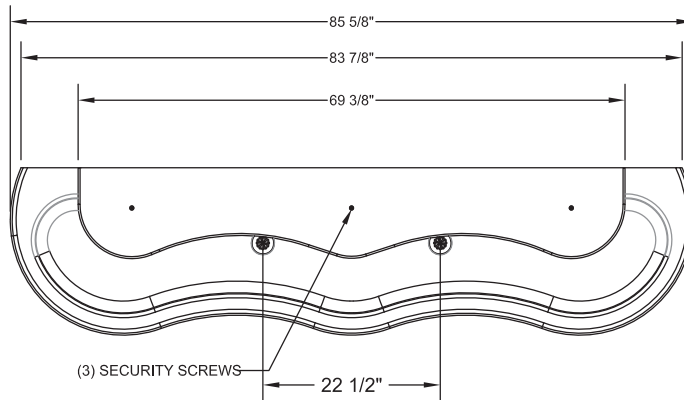
- BN Bone
- GW Glacier White
- GG Grey Granite
- SS Sandstone
- WG White Granite
- BG Black Granite
- NB Nocturnal Blue
- RC Red Coral
- SG Sea Green

6.) Other Options:

- LSD Liquid Soap Dispensers (2)
- TL Less In-line Thermostatic Mixing Valve
- KPWW Wall Mounted Stainless Steel Kick Plate
- LSH 1.5 gpm Laminar Flow Sprayheads
- Other _____
- Other _____

*(Req. 110V power through ground fault interrupter (GFCI) receptacle)

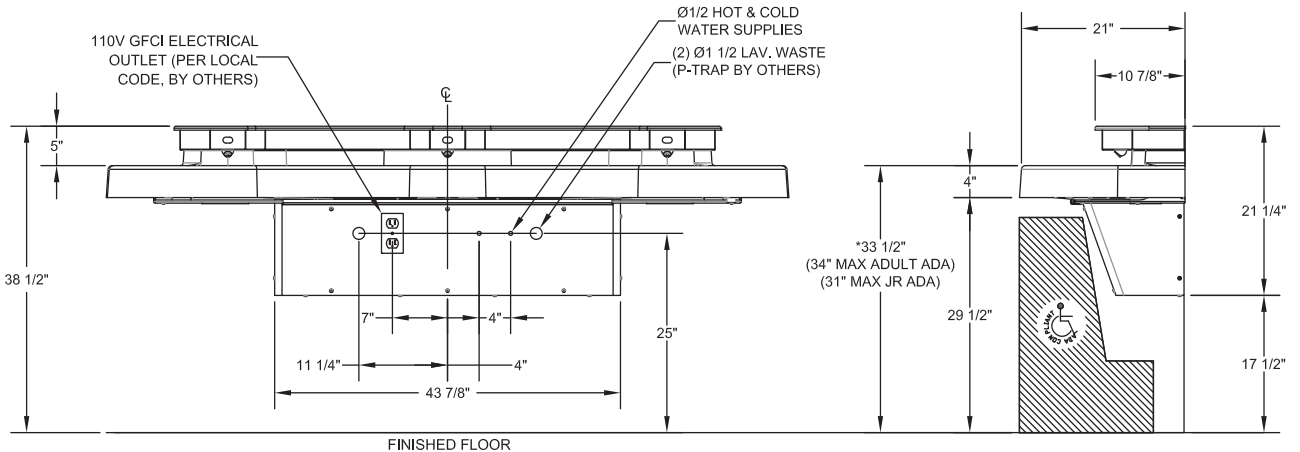
Approved For Manufacturing By: _____ Date: _____ Company: _____
 Wall Thickness: _____ Wall Type: _____



IN COMPLIANCE WITH A.D.A. 2010

*NOTE:
 33-1/2" RIM HEIGHT SHOWN (34" MAX ADULT ADA) ADJUST DIMENSIONS FOR ALTERNATE HEIGHTS

VERIFY ALL DIMENSIONS WITH FACTORY PRIOR TO ROUGH-IN
 WILLOUGHBY RESERVES THE RIGHT TO MAKE CHANGES IN DESIGN AND DIMENSIONS WITHOUT FORMAL NOTICE AND WITHOUT INCURRING OBLIGATION.



visit our website at www.willoughby-ind.com
 5105 West 78th Street • Indianapolis, IN. 46268
 (317) 875-0830 • Fax: (317) 875-0837 • (800) 428-4065



MADE IN THE U.S.A.