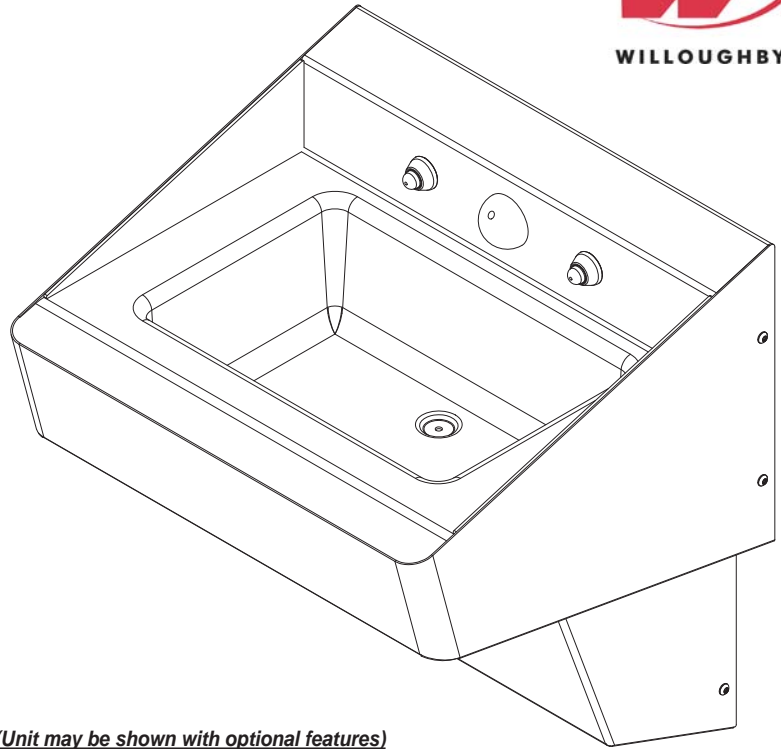




WBLS-2018-HC-FA Stainless Steel Ligature-resistant Front Mounted Behavioral Lavatory



(Unit may be shown with optional features)

To specify fixture and accessories, use the Model Number and Options page.

Example: To specify a Ligature-resistant Front Mounted Stainless Steel Behavioral Lavatory with ligature-resistant bubbler/filler, dual temp. pneumatic metering valve, ligature-resistant pneumatic push buttons, and removable P-trap

Use the following Willoughby Model Number:

WBLS-2018-HC-FA-BPH-PML2-PBH-RPT



Recommended Specifications

Stainless Steel, Ligature-resistant, Front Mounted, Behavioral Lavatory shall be: Willoughby Model No. **WBLS-2018-HC-FA** (Select from model number and options list on next page)

Wall-hung angular profile fixture shall accommodate one user and is designed to minimize ligature points. Fixture shall be fabricated from 14GA. / 16GA. Type 304 stainless steel. The construction shall consist of an all-welded lavatory cabinet and all-welded trap enclosure, with exposed stainless surfaces polished to a #4 satin finish.

Standard lavatory shall include:

- Rectangular bowl, 14" x 9" x 5" deep
- Stainless steel ligature-resistant bubbler/filler
- Slow drain w/ air vent
- Removable P-trap (1-1/2" F.I.P.)
- Angular profile with sloped top
- Removable trap enclosure attached with security screws
- 0.5 GPM flow rate

* Use "DFBH" suffix to be CBC compliant

Vandal Resistance/Safety Features:

The bubbler, push buttons, and slow drain are non-removable from the user-side and are designed to minimize ligature points. Valve, water supplies, and waste connection are concealed within the trap enclosure. All exposed fasteners shall be vandal-resistant security type screws.

ADA and ANSI Compliant:

When the lavatory is mounted at the standard adult rim height it is designed to comply with all applicable ADA and ANSI (Z124.3 and Z124.6) accessibility guidelines.

Mounting:

Anchoring shall be from the front with mounting plate with anchoring holes. Unit does not require chase area for installation and maintenance; proper backing and anchoring hardware for lavatory mounting provided by others.



WARNING: Cancer and Reproductive Harm

- www.P65Warnings.ca.gov

visit our website at www.willoughby-ind.com
5105 West 78th Street • Indianapolis, IN. 46268
(317) 875-0830 • Fax: (317) 875-0837 • (800) 428-4065



MADE IN THE U.S.A.

MODEL NUMBER AND OPTIONS:

1.) Base Model Number:

- WBSL-2018-HC-FA Stainless Steel, Ligature-resistant,
Front Mounted, Behavioral Lavatory

- WUCC-3010 Pneutronic WMSII
(The WUCC-3010 Control can be used to pair a Lavatory with a Toilet)

2.) Bubbler Selection:

- BPH Ligature-resistant Bubbler/Filler (Standard)
 FLH Ligature-resistant Lav. Filler

6.) Lavatory Waste:

- RPT Removable P-trap (Standard)
 OV Lavatory Overflow
 SLOW Slow Drain (Standard)

2A.) ADA/CBC Drinking Fountain Bubbler Selection:

- DFBH Ligature-resistant DM Drinking Fountain Bubbler**
**(Compliant to ADA, Sec 602.5, w/ Panel Mounted Push Button)

7.) Options:

- MT Wall Template
 TF24H Hard-wired Transformer, 110VAC to 24VAC*
 TF24P Plug-in Transformer, 110VAC to 24VAC*
 TH1 Single Towel Hook
 Right Left
 TH2 Dual Towel Hook
 Right Left
 DC Decorator Color
 TMV In-line Thermostatic Mixing Valve
 Other: _____
 Other: _____

3.) Lavatory Valve Selection:

- NV No Valve
 PML1 Single Temp. Pneumatic Metering
 PML2 Dual Temp. Pneumatic Metering
 E1L1 Single Temp. Electronic (pick control)*
 E1L2 Dual Temp. Electronic (pick control)*

4.) Lavatory Valve Actuation:

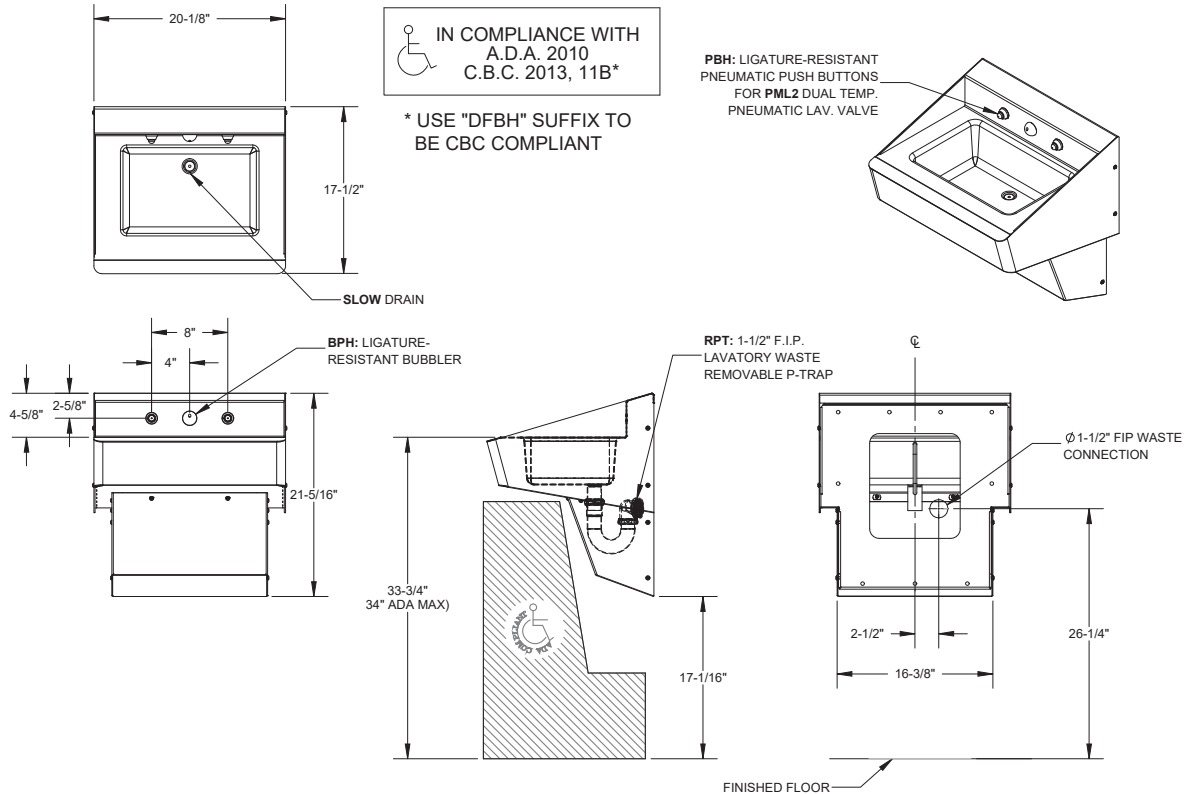
- PBH Ligature-resistant Push Buttons
 PZPB Ligature-resistant Piezo Electronic Push Buttons*

5.) Electronic Controls* (Must Use Electronic Push Button):

*(Req. 110V power through ground fault interrupter (GFCI) receptacle)

Approved For Manufacturing By: _____ Date: _____ Company: _____
Wall Thickness: _____ Wall Type: _____

VERIFY ALL DIMENSIONS WITH FACTORY PRIOR TO ROUGH-IN.
 WILLOUGHBY RESERVES THE RIGHT TO MAKE CHANGES IN DESIGN AND DIMENSIONS WITHOUT FORMAL NOTICE AND WITHOUT INCURRING OBLIGATION.



visit our website at www.willoughby-ind.com
 5105 West 78th Street • Indianapolis, IN. 46268
 (317) 875-0830 • Fax: (317) 875-0837 • (800) 428-4065



MADE IN THE U.S.A.