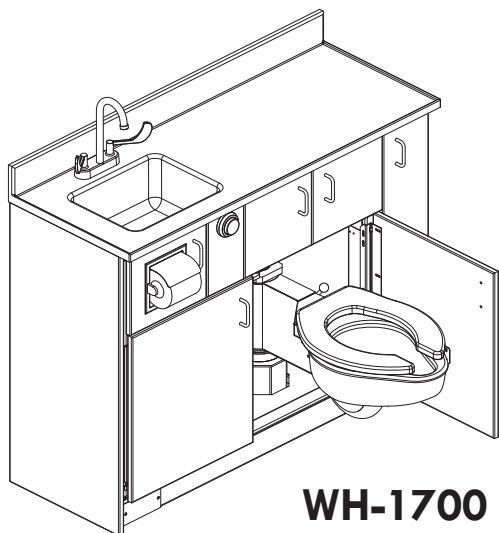
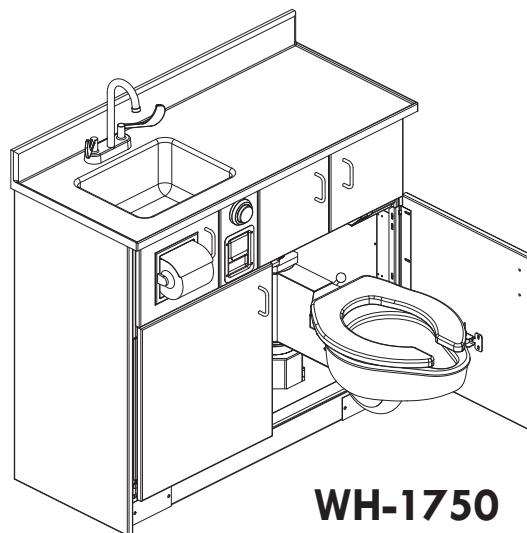


**WILLOUGHBY  
HEALTHCARE  
PATIENT CARE UNITS**

**INSTALLATION AND  
OPERATION MANUAL**



**WH-1700**



**WH-1750**

**MODELS:**

**WH-1700 and WH-1750**

**Patient Care Units**

**TABLE OF CONTENTS**

PRE-INSTALLATION INFORMATION.....	3	Step 6: Install the Solid Surface Lavatory Top with Integral Bowl.....	12
PHYSICAL DIMENSIONS .....	4	Step 7: Install Faucet and Connect Water Supply .....	12
ROUGH-IN DIMENSIONS.....	6	Step 8: Completing Installation .....	13
CHECKING CONTENTS.....	8	Step 9: Install and Adjust the Door Linkage...	13
INSTALLATION INSTRUCTIONS .....		CARE AND MAINTENANCE .....	14
Step 1: Unpack the WH-1700/1750.....	10	DETAIL DRAWINGS.....	
Step 2: Install the Anchors.....	10	Swivel Toilet Assembly-L H1490-0084.....	15
Step 3: Install the Toilet and Waste Connections.....	11	Swivel Toilet Assembly-R H1490-0085 .....	16
Step 4: Install the Vacuum Breaker.....	11	WARRANTY.....	17
Step 5: Install the WH-1700/ WH-1750 Cabinet.....	12		



**WILLOUGHBY**

COUNT ON US.



1.800.428.4065 TOLL FREE | www.wiloughby-ind.com

(PAGE LEFT INTENTIONALLY BLANK)

## PRE-INSTALLATION INFORMATION

# INSTALLATION NOTICE!

CHECK ROUGH-IN LOCATIONS **PRIOR** TO INSTALLATION

FLUSH LINES THOROUGHLY **PRIOR** TO HOOK-UP

When installing the Willoughby Industries' **WH-1700 / 1750** Patient Care Units:

**Before Step 1 of the Installation Instructions, ensure that rough-ins are in the correct location. Recessed toilet flange is required with floor outlet toilet fixture on the WH-1700/1750 Series Patient Care Units; see Detail Drawings on "Swivel Toilet Assembly" for dimension details.**

**It is essential that the water supply lines be thoroughly flushed prior to making final connection** to the hot and cold water supply lines. These lines **must be flushed** sufficiently to remove the small particles of debris that are inherent with new construction projects.

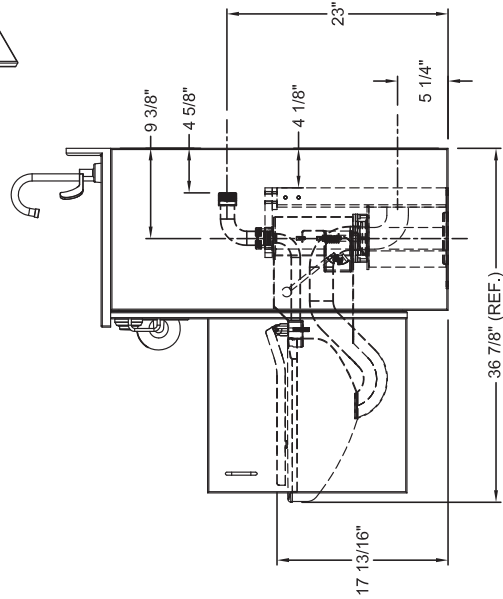
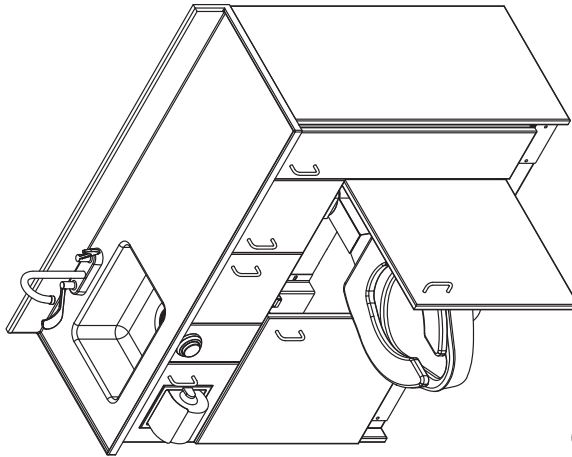
**If this debris is not removed, the valving in these units will be damaged.** Do not attempt to remove the aerators to flush debris out of the lavatory. The damage can only be fixed by replacing the valves. Damage to valves caused by debris will not be covered by the manufacturer's warranty.

# INSTALLATION NOTICE!

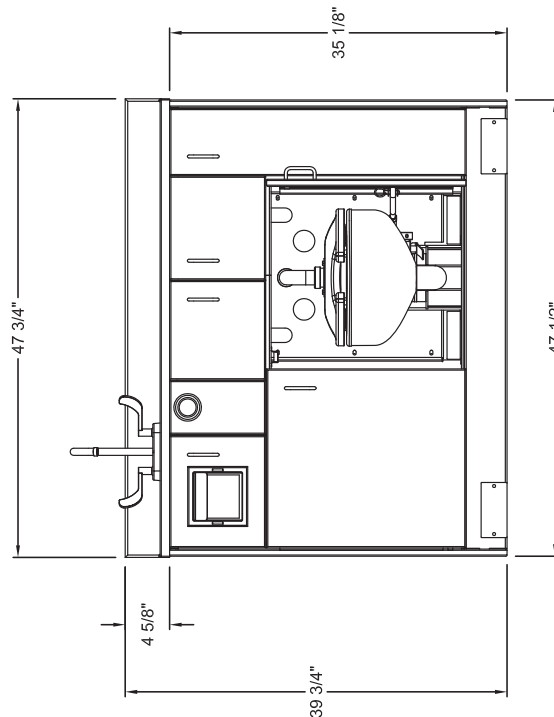
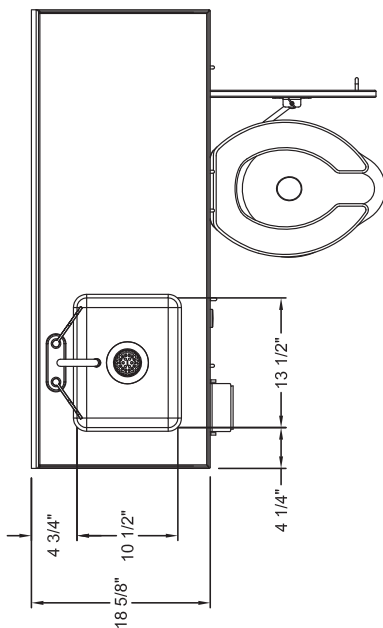
CHECK ROUGH-IN LOCATIONS **PRIOR** TO INSTALLATION

FLUSH LINES THOROUGHLY **PRIOR** TO HOOK-UP

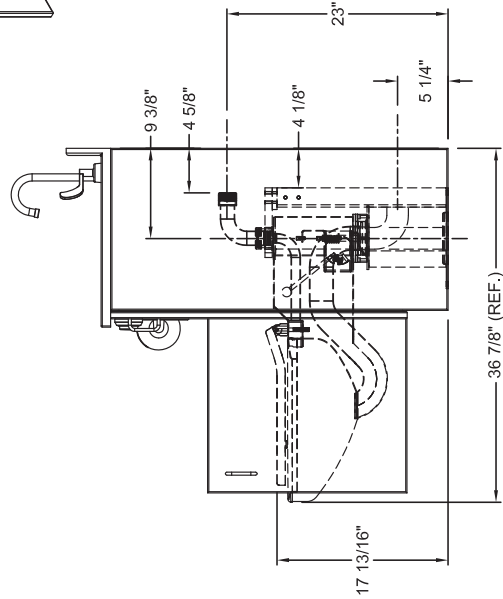
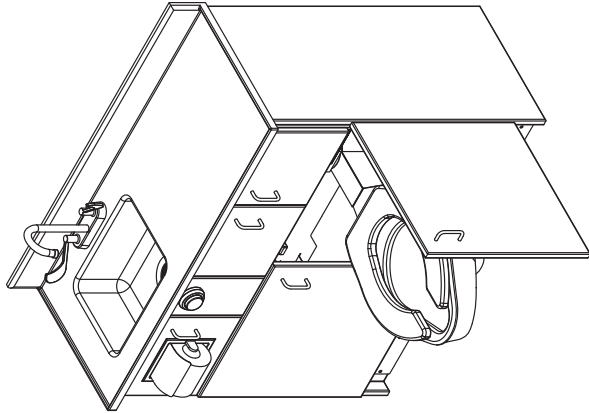
# PHYSICAL DIMENSIONS- WH-1700 Series



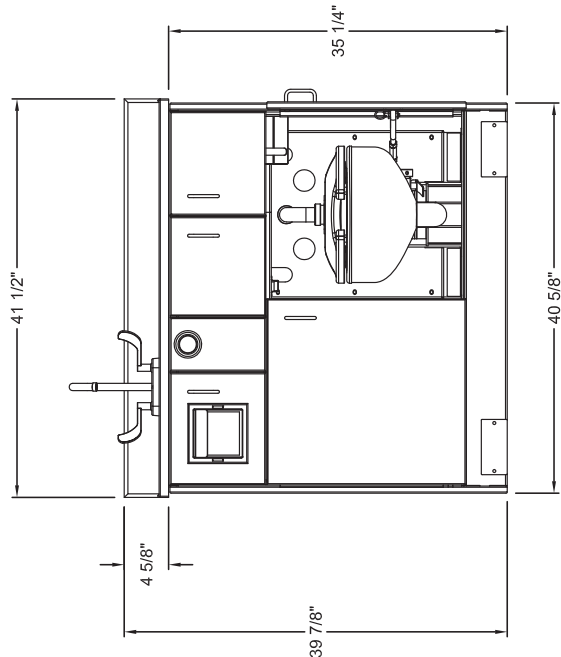
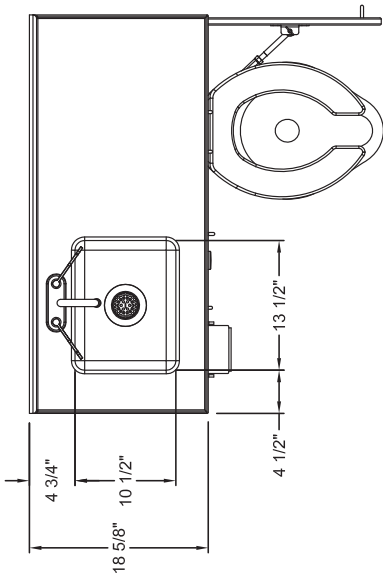
REFERENCE: S900641  
 NOTE: RIGHT HAND MODEL SHOWN,  
 LEFT HAND IS SYMMETRICALLY  
 OPPOSITE  
 NOTE: REFERENCE  
 ROUGH-IN TEMPLATES:  
 WALL: S901913  
 FLOOR: S900608



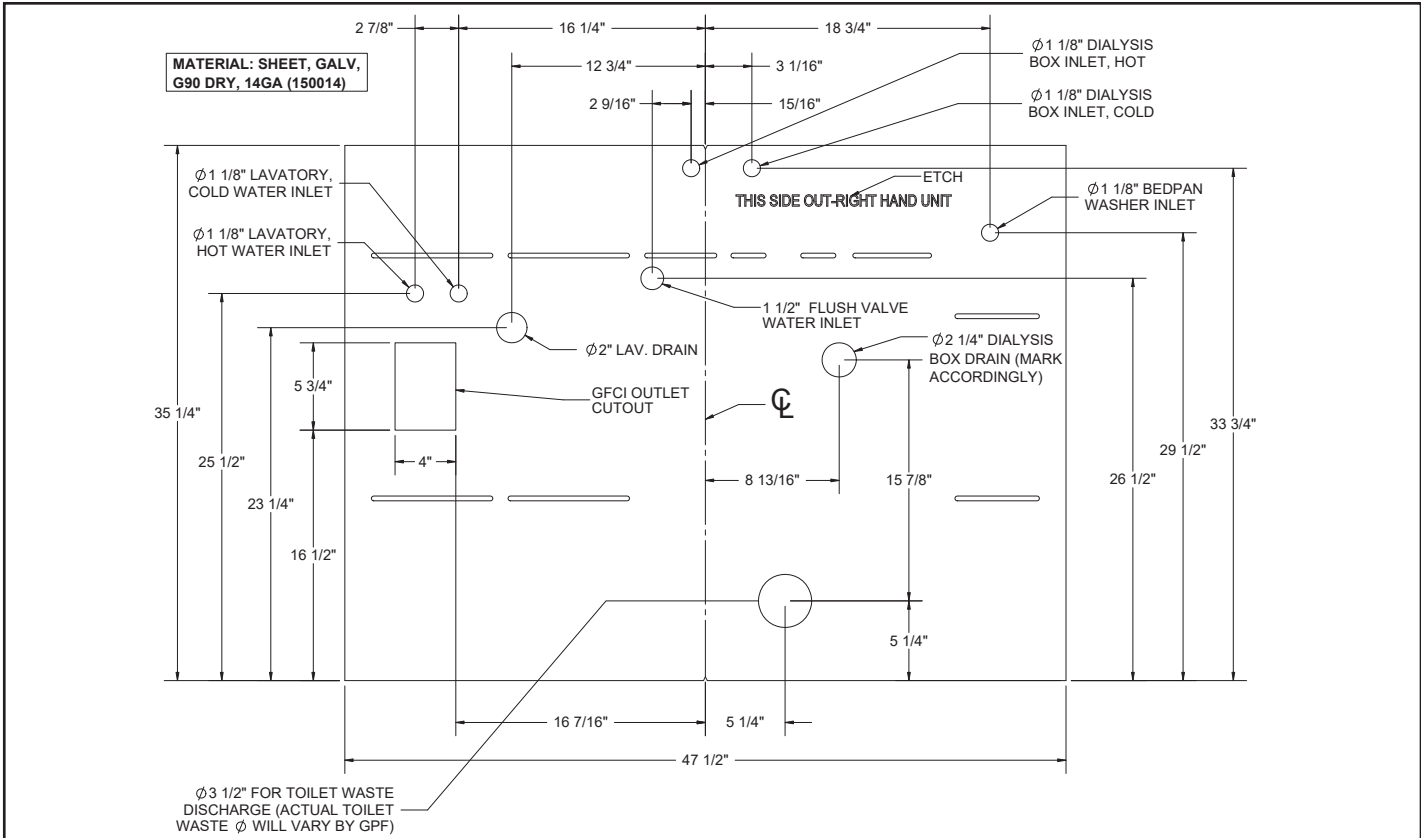
# PHYSICAL DIMENSIONS- WH-1750 Series



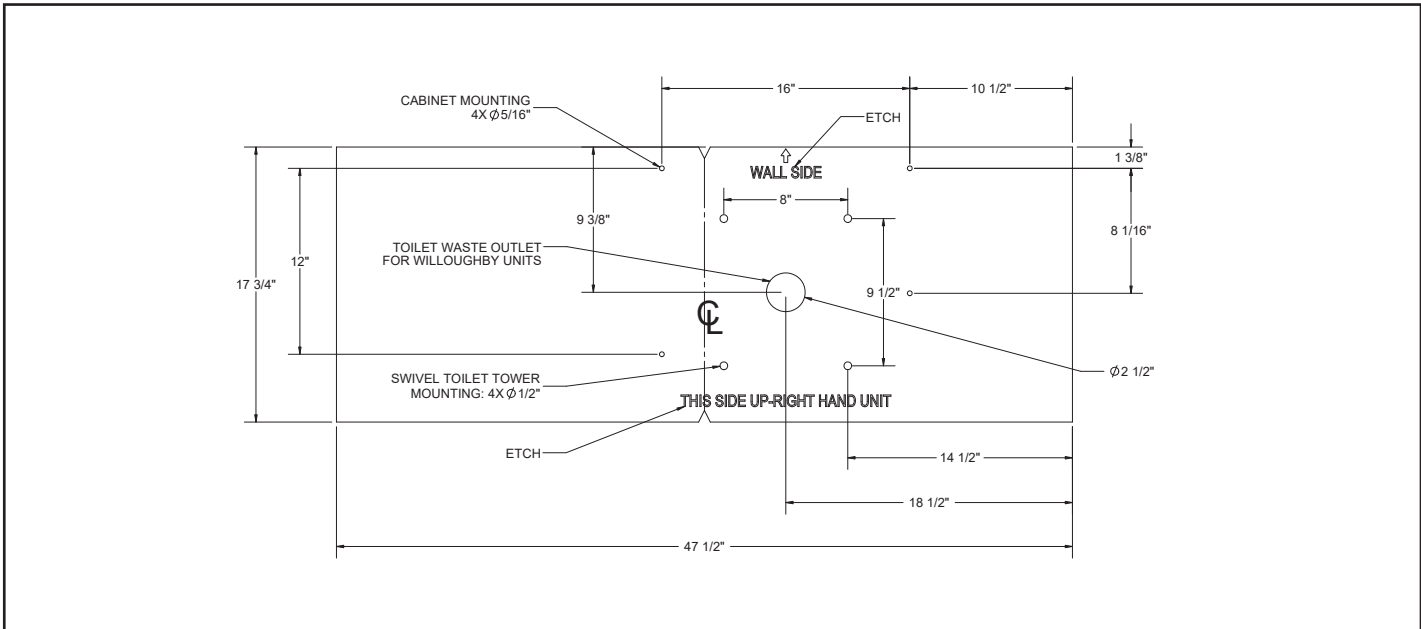
REFERENCE: S900586  
 NOTE: RIGHT HAND MODEL SHOWN,  
 LEFT HAND IS SYMMETRICALLY  
 OPPOSITE  
 NOTE: REFERENCE  
 ROUGH-IN TEMPLATES:  
 WALL: S900603  
 FLOOR: S900594



# ROUGH-IN DIMENSIONS- WH-1700 Series

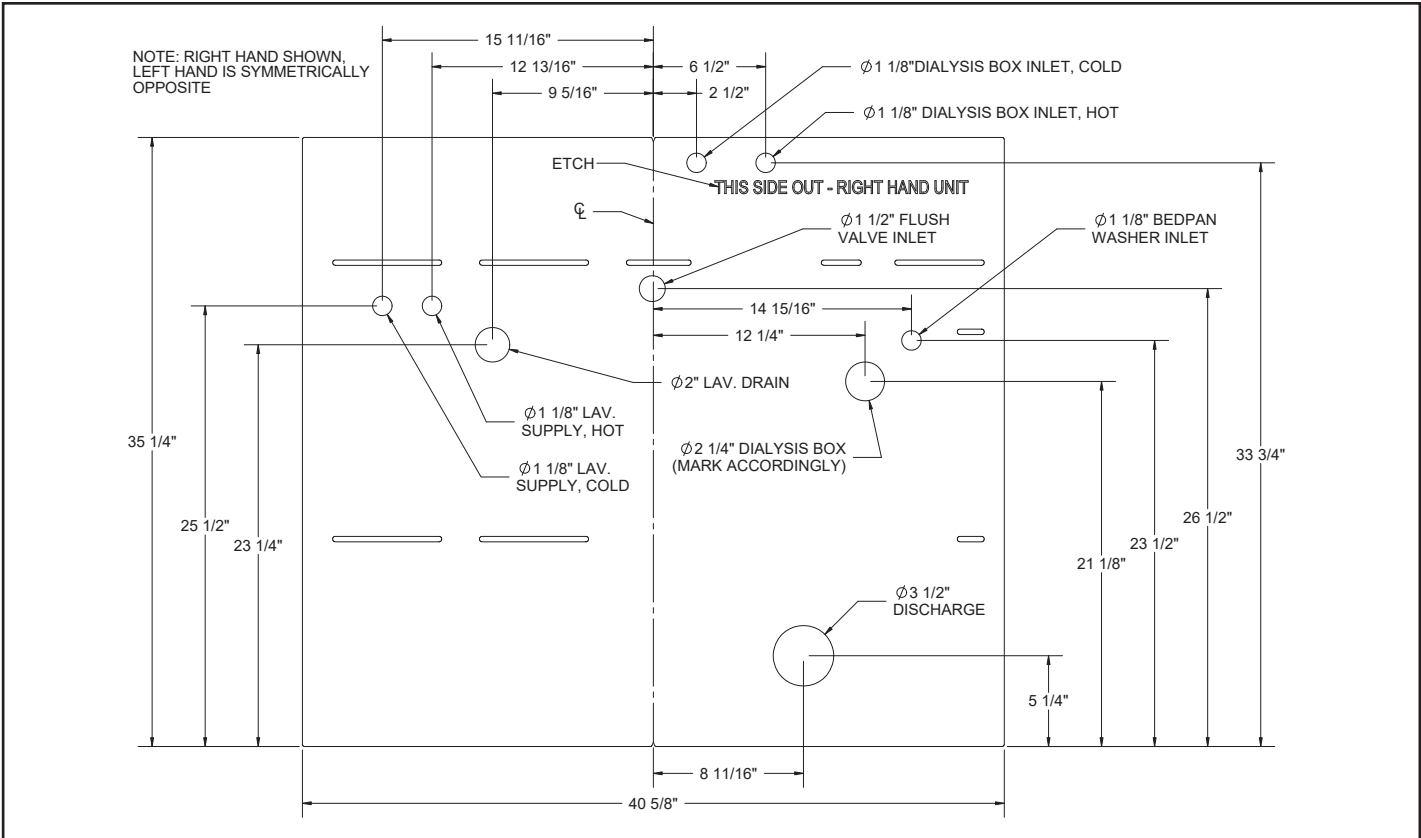


WH-1700 BACK-WALL ROUGH-IN TEMPLATE

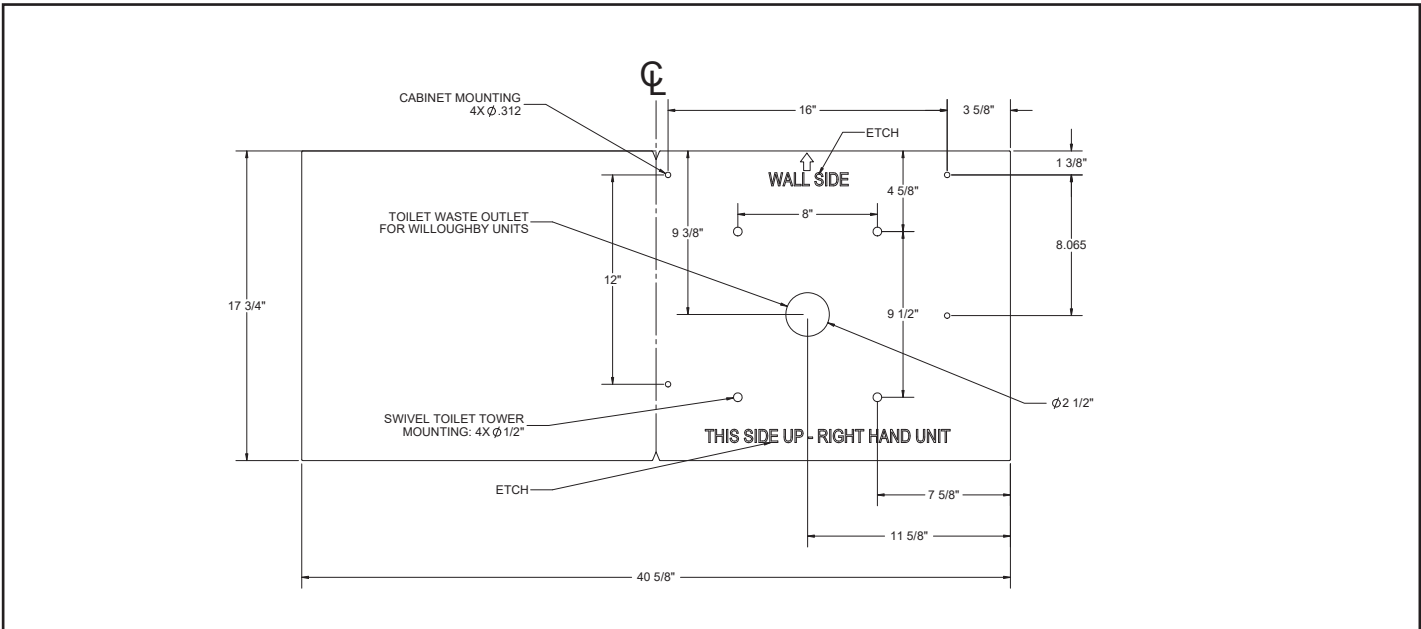


WH-1700 FLOOR ROUGH-IN TEMPLATE

# ROUGH-IN DIMENSIONS- WH-1750 Series



WH-1750 BACK-WALL ROUGH-IN TEMPLATE



WH-1750 FLOOR ROUGH-IN TEMPLATE

## **CHECK CONTENTS**

- Separate all parts from packaging and make sure all parts are accounted for before discarding any packaging material. If any parts are missing, do not attempt to install WH-1700/1750 Patient Care Unit until you obtain the missing parts.

**NOTE: Before beginning installation, all supply, drain and waste piping for the WH-1700/1750 must be completed according to specified rough-ins. If you have not received rough-in details, please contact Willoughby Industries, Inc. (800) 428-4065**

- IMPORTANT: These installation instructions cover all of the Willoughby Industries Inc. WH-1700/1750 Patient Care Units. Simply omit the steps which do not apply to the model you are installing.**
- IMPORTANT: Flush all the water supply lines before making connections.**



## **REQUIRED INSTALLATION SUPPLIES**

- Hardware for waste outlet connections
- Gasket for waste outlet connection
- Shims (for toilet or cabinet installation if necessary)
- Supply piping to toilet, faucet, foot valve, vacuum breaker, bedpan washer (AS NEEDED)
- Waste outlet piping to toilet
- P-trap and drain piping
- Silicone caulk
- Proper mounting hardware

**WARNING: Willoughby Industries does not assume any responsibility for personal injury or damage to equipment due to an improperly installed WH-1700/1750 Patient Care Unit.**

## **INSTALLATION INSTRUCTIONS**

### **Step 1: Unpacking the Patient Care Unit**

- 1.) Remove the packaging around the unit.
- 2.) Remove the door linkage on door connected to swivel toilet by removing the pin fastened into the linkage bracket.
- 3.) Lift out the trim piece around the toilet on the cabinet floor.
- 4.) Remove the back trim piece from behind the toilet.
- 5.) Unbolt the toilet and cabinet assembly.
- 6.) Locate wall and floor mounting templates and set aside. **(DO NOT DISCARD)**

***NOTE: One (1) wall template per order. Each unit is supplied with a floor template for shipping purposes.***

### **Step 2: Install the Anchors**

***NOTE: Templates are not to be installed as part of the cabinet. They are only used to specify rough-in measurements.***

- 1.) Select the location where the WH-1700/1750 is to be installed. Using the supplied templates, mark the hole pattern for the toilet and cabinet anchor locations.

***NOTE: Lay out anchor locations for the foot valve if required.***

- 2.) Remove the template.
- 3.) Install appropriate floor anchors to mount both the toilet and cabinet securely to the floor. (hardware supplied by installer)

***NOTE: If the floor concrete is lightweight or less than 4" thick, through bolting to steel angles under the floor is recommended (hardware supplied by installer).***

## **INSTALLATION INSTRUCTIONS (CONT.)**

### **Step 3: Install the Toilet and Waste Connections**

- 1.) Place the toilet over the support anchors installed in Step 2.
- 2.) Connect the toilet to the floor/wall waste outlet with appropriate gasket. Square the toilet to the back wall.
- 3.) Level and support the toilet solidly at the four corners using shims, (supplied by installer) if necessary.
- 4.) Secure the toilet to the four floor anchors using 1/2" hex screws and washers and tighten securely.

***NOTE: If the waste outlet is through the back, use a no-hub type connector (available as an option).***

- 5.) On WH-1700/1750 models with a back waste connection, tighten the connector clamps at this time.

### **Step 4: Install the vacuum Breaker for the WH-1700/1750 Patient Care Unit with a Bedpan Washer**

- 1.) Install the supplied vacuum breaker to the wall per local code.

***NOTE: The vacuum breaker must be mounted on the wall a minimum of 6' from the floor along the centerline of the valve.***

- 2.) Connect the wall piping to the inlet and outlet on the vacuum breaker.
- 3.) Before installing the cabinet, connect the vacuum breaker outlet to the bedpan washer inlet.

***NOTE: All other plumbing connections are made after the cabinet is installed.***

## **INSTALLATION INSTRUCTIONS (CONT.)**

### **Step 5: Install WH-1700/1750 cabinet**

- 1.) Install mounting studs into the cabinet anchors.
- 2.) Over each mounting stud, screw on a leveling nut and place a washer over the nut.
- 3.) Locate the cabinet in place over the mounting studs.
- 4.) Add a flat washer and securing nut to each cabinet mounting stud.
- 5.) Level the cabinet and tighten the nuts.
- 6.) Secure cabinet to wall through horizontal mounting slots with proper hardware.

### **Step 6: Install the Solid Surface lavatory top with integral bowl**

- 1.) Install drain assembly.
- 2.) Apply a bead of silicone caulk around the outer top edge of the cabinet and between the lavatory top and the wall.
- 3.) Set the lavatory top in place on the cabinet making sure the back is flush with the wall. Clean up excess caulk around the countertop edge.

### **Step 7: Install Faucet and Connect Water Supply**

***NOTE: Please refer to faucet manufacturer's recommended installation instructions.***

## **INSTALLATION INSTRUCTIONS (CONT.)**

### **Step 8: Completing Installation**

- 1.) Connect the flush valve outlet to the water closet.

***NOTE: Tighten all flush valve connections.***

- 2.) Connect the flush valve water supply pipe to the flush valve 1" NPT inlet.
- 3.) Install Push Button Actuator plastic tubing.
- 4.) Install the P-trap (supplied by installer) to the sink drain, and then connect the P-trap to the drain pipe (piping supplied by installer).
- 5.) On the models with a bedpan washer sprayer, connect sprayer hose to vacuum breaker outlet inside cabinet.
- 6.) After all toilet connections are checked for leaks, re-install toilet tower closure panels.

### **Step 9: Install and Adjust the Door Linkage**

- 1.) Install the door linkage by loosely fastening the door linkage rod with the supplied Pin into the linkage bracket.
- 2.) Close the door. If the toilet contacts the back wall before the door closes, adjust the door linkage by turning the door linkage rod so that the door closes before the water closet comes in contact with the back wall.
- 3.) If no adjustment is needed, tighten the nut securely on the linkage bracket.
- 4.) After the adjustments are made, tighten the nut securely on the linkage arm.

## **CARE AND MAINTENANCE**

### **Solid Surface Care**

Aquasurf® surfaces may be easily cleaned using conventional cleaning agents such as an ammonia based liquid cleaner, (glass cleaner).

Dry stains on a matte finish can be removed with a 3M Scotch-Brite gray scouring pad or a mild abrasive cleaner.

Burns or scorches can be removed by sanding with coarse grit sandpaper followed by finer grit (220) sandpaper. Follow sanding with a 3M Scotch-Brite gray pad (or equivalent) to match finish of sanding area to surrounding area. A final buffing may be required on polished surfaces. Accidental nicks or chips can be repaired with special patch kits available in all Aquasurf® colors.

Avoid exposing Aquasurf® surfaces to strong chemicals such as acetone's; paint removers and sulfuric acid or hydrochloric chemical cleaners. Exposure to strong chemicals may result in permanent damage to Aquasurf® surfaces.

### **Stainless Steel Care**

Stainless Steels are basically alloys of iron and chromium and are corrosion resistant. Stainless steel has a bright surface that is easy to clean and is free from oxides. Therefore, cleaning of stainless steel is relatively simple and easy if done on a regular basis.

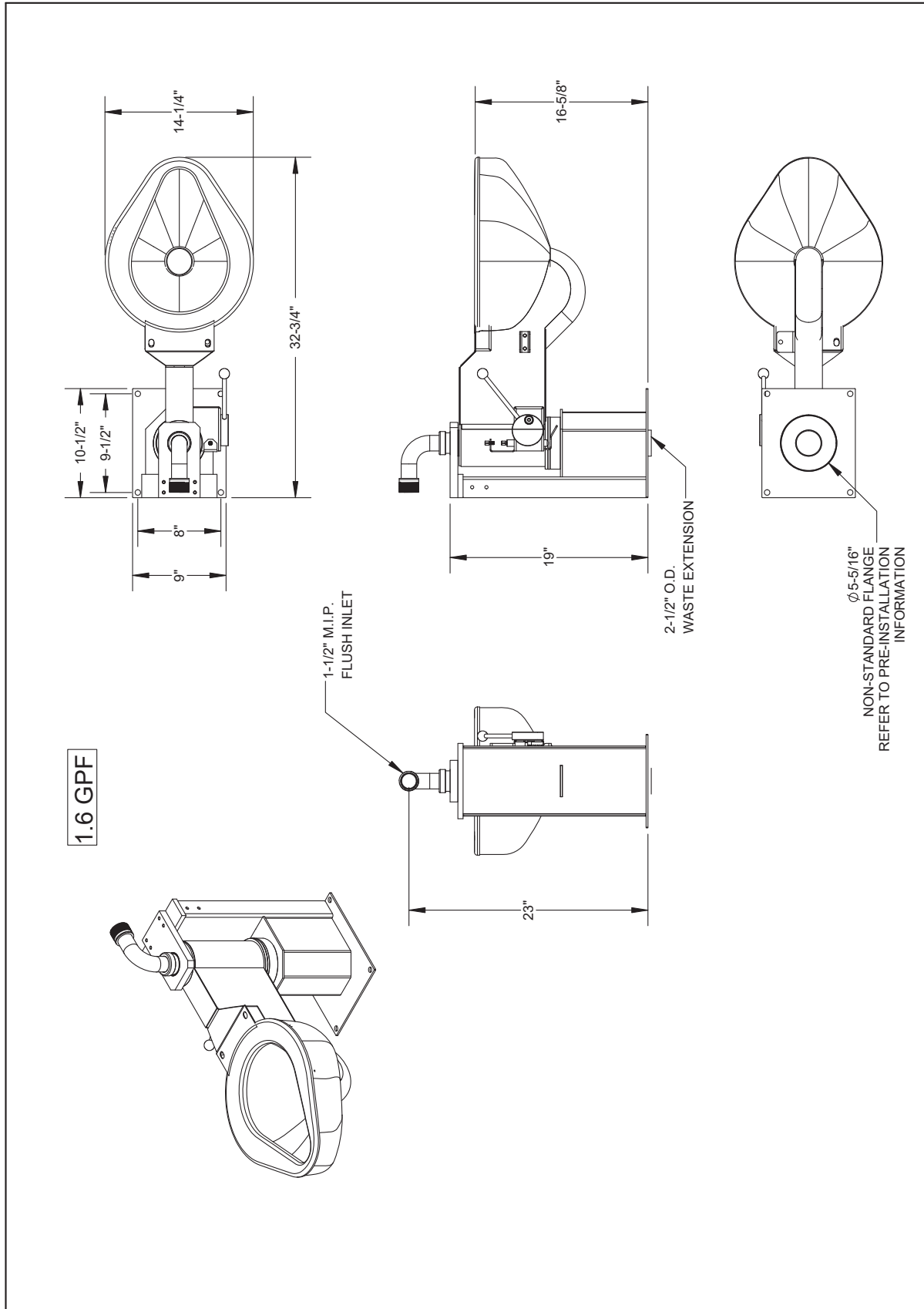
Frequency of cleaning should depend on the rate at which the fixture becomes dirty. Remember that fresh (soft) deposits of all kinds are relatively easy to remove, while removing older (hard) deposits are much more difficult. Establish a cleaning SCHEDULE.


Routine cleaning should involve ordinary soap or detergent and water, applied with a sponge, brush or cloth. Baking soda, borax or any of several non-abrasive commercial cleansing agents can help hasten the cleaning action. After scrubbing, rinse THOROUGHLY and wipe dry.

DO NOT use common steel wool, scouring pads, scrapers, wire brushes, files or other steel tools to clean stainless steel. Such items will scratch the surface or leave small particles of iron imbedded in the surface, which will eventually rust and stain the surface - even appearing as if the stainless itself was rusting.

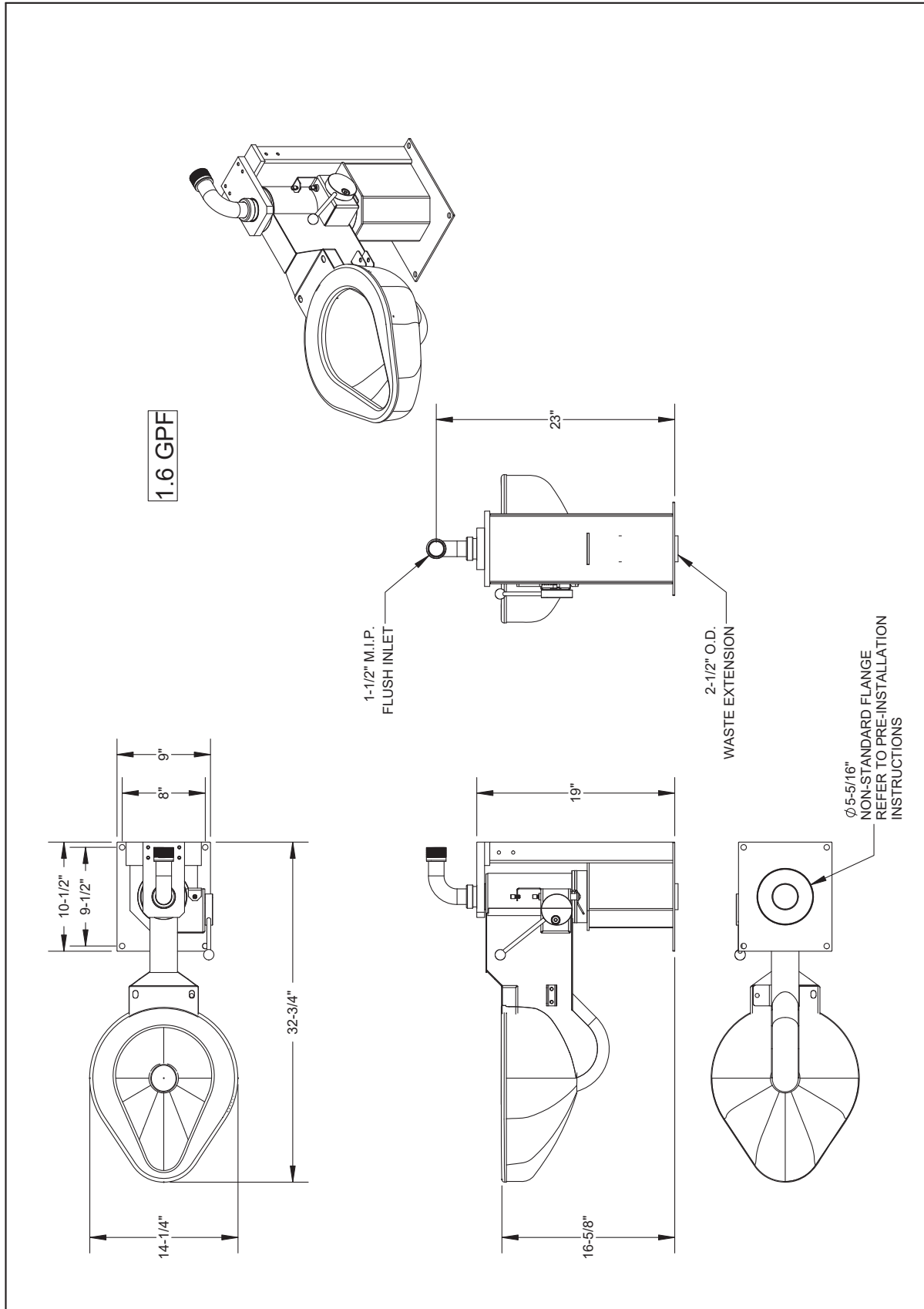
Certain chemical compounds, if used on stainless steel, can give the appearance of rust and if allowed to stand for long periods of time, can pit the surface of even stainless. Products containing hydrochloric acid, muriatic acid or potassium hydrochloride can ruin the surface.

DRAWING: SWIVEL TOILET ASSEMBLY



 WILLOUGHBY	TITLE / DESC.: PETE-1490-1.6-L-PCU SWIVEL TOILET ASSEMBLY - LEFT HAND - FLOOR OUTLET	PART #: H1490-0084
	2 PLS. 40/63 TOLERANCES EXCEPT AS NOTED FRACTIONS 40/63 ANGLE: 21°	MATL.: N/A REF.:
Willoughby Industries, Inc. Indianapolis, Indiana		STANDARD SHEET: 1 OF 1

DRAWING: SWIVEL TOILET ASSEMBLY



<b>Willoughby Industries, Inc.</b> Indianapolis, Indiana TOLERANCES EXCEPT AS NOTED 2 PLS. - 40/33 FRACTIONS - 40/33 ANGLE - 31° SCALE - 1:12		TITLE / DESC.: PETE-1490-1.6-R-PCU SWIVEL TOILET ASSEMBLY - RIGHT HAND - FLOOR OUTLET	PART #: H1490-0085
MATL: N/A REF:	REVISION ORIG: EEF REV: EEF DATE: 3/16/15	A	STANDARD SHEET: 1 OF 1





## **WARRANTY**

Aquasurf® Solid Surface Products are a homogeneous blend of resins, mineral filler and colorant manufactured for panels, molded and/or shaped products and components. Aquasurf® Solid Surface products provide a luxurious appearance with the durability of stain proof, impact resistant, burn resistant material with ease of maintenance and cleaning.

Willoughby Industries, Inc. warrants to commercial and institutional purchasers only that each unit will be free from defects in workmanship and materials under normal use and service upon the following terms and conditions. The period during which Aquasurf® components are warranted as follows:

1. Aquasurf® solid surface components are warranted for 2 years from date of shipment.
2. All other components warranted for 1 year from date of shipment.

This warranty does not cover installation or any other labor charges and does not apply to any components damaged by accident, abuse, improper installation or improper maintenance. This warranty does not cover any installation that did not comply with national, state and local building, plumbing or electrical codes. The warranty is limited to replacing or repairing at Willoughbys option, transportation charges prepaid by the purchaser, any Aquasurf® component or part which upon our inspection shall be deemed as defective within the limitations of this warranty. The replacement or repair of defective units as stated in this warranty shall constitute the sole remedy of the purchaser and the sole liability of Willoughby Industries, Inc. Willoughby Industries, Inc. shall not otherwise be liable under any indirect damages caused by defects in the repair or replacement thereof.

This warranty only extends to commercial and institutional purchasers and does not extend to any others, including consumer customers of commercial institutional purchasers. This warranty is in lieu of all other warranties, expressed or implied, including implied warranty of merchantability or fitness or a particular purpose or otherwise.