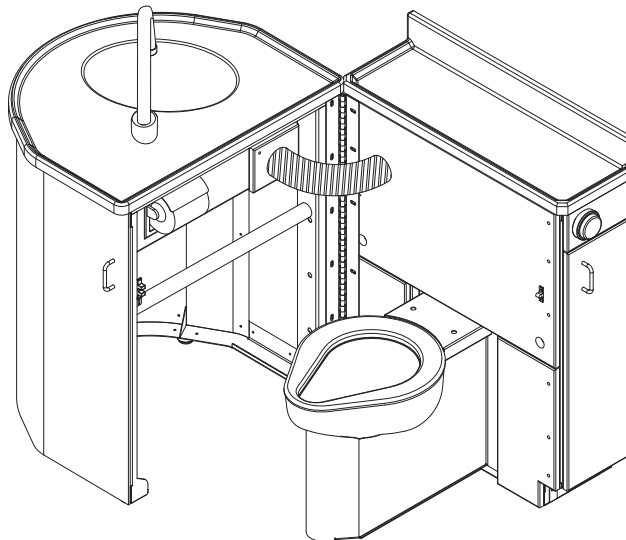


**WILLOUGHBY
HEALTHCARE
PATIENT CARE UNITS**

**INSTALLATION AND
OPERATION MANUAL**



MODELS:

WH-2600 Series

Patient Care Units

TABLE OF CONTENTS

PRE-INSTALLATION INFORMATION.....	3	Step 7: Install the Sink Lavatory Top to the Cabinet.....	10
PHYSICAL DIMENSIONS	4	Step 8: Install Faucet and Connect Water Supply	11
ROUGH-IN DIMENSIONS	5	Step 9: Completing Installation	11
CHECKING CONTENTS.....	6	CARE AND MAINTENANCE	12
INSTALLATION INSTRUCTIONS		DETAIL DRAWINGS.....	
Step 1: Unpacking the Patient Care Unit	8	Stationary PCU Toilet - Wall Waste Outlet H1490-0078	13
Step 2: Install the Anchors and Backing	8	Stationary PCU Toilet - Floor Waste Outlet H1490-0079	14
Step 3: Install the Vacuum Breaker.....	9	WARRANTY.....	15
Step 4: Install the WH-2600 Cabinet.....	9		
Step 5: Install the Toilet and Waste Connections.....	10		
Step 6: Install the Stationary Lavatory Top.....	10		



WILLOUGHBY

COUNT ON US.



1.800.428.4065 TOLL FREE | www.wiloughby-ind.com

(PAGE LEFT INTENTIONALLY BLANK)

PRE-INSTALLATION INFORMATION

INSTALLATION NOTICE!

CHECK ROUGH-IN LOCATIONS **PRIOR** TO INSTALLATION

FLUSH LINES THOROUGHLY **PRIOR** TO HOOK-UP

When installing the Willoughby Industries' **WH-2600 Series** Patient Care Units:

Before Step 1 of the Installation Instructions, ensure that rough-ins are in the correct location.

It is essential that the water supply lines be thoroughly flushed prior to making final connection to the hot and cold water supply lines. These lines **must be flushed** sufficiently to remove the small particles of debris that are inherent with new construction projects.

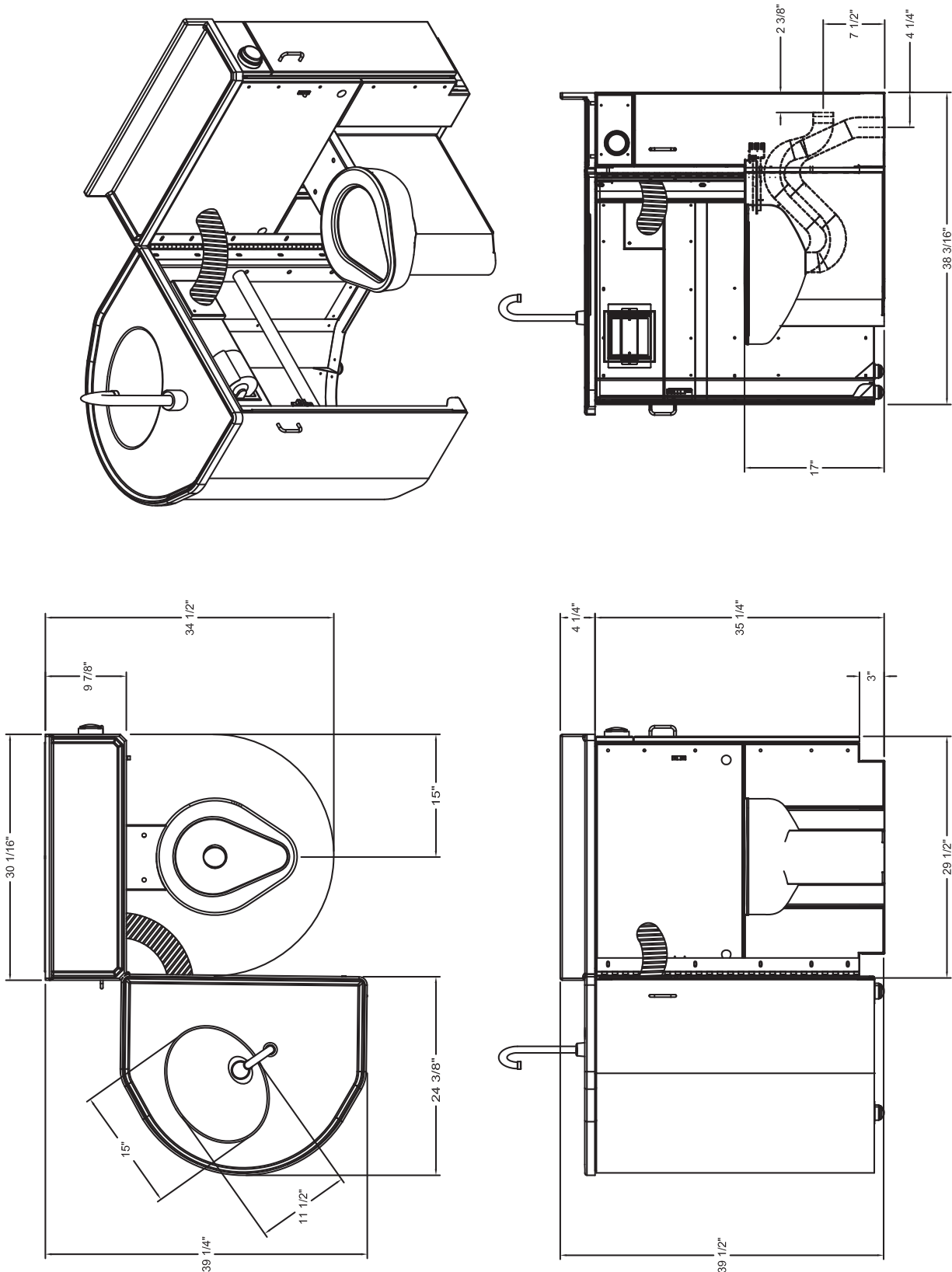
If this debris is not removed, the valving in these units will be damaged. Do not attempt to remove the aerators to flush debris out of the lavatory. The damage can only be fixed by replacing the valves. Damage to valves caused by debris will not be covered by the manufacturer's warranty.

INSTALLATION NOTICE!

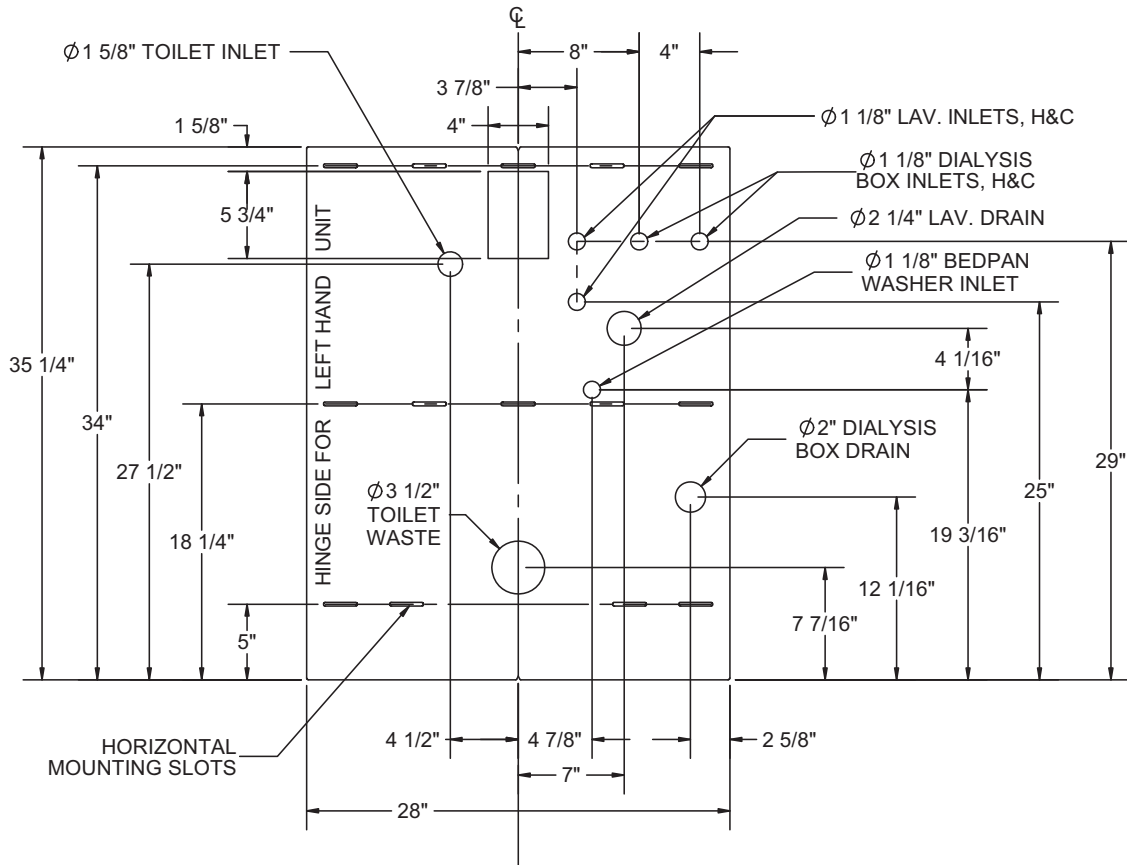
CHECK ROUGH-IN LOCATIONS **PRIOR** TO INSTALLATION

FLUSH LINES THOROUGHLY **PRIOR** TO HOOK-UP

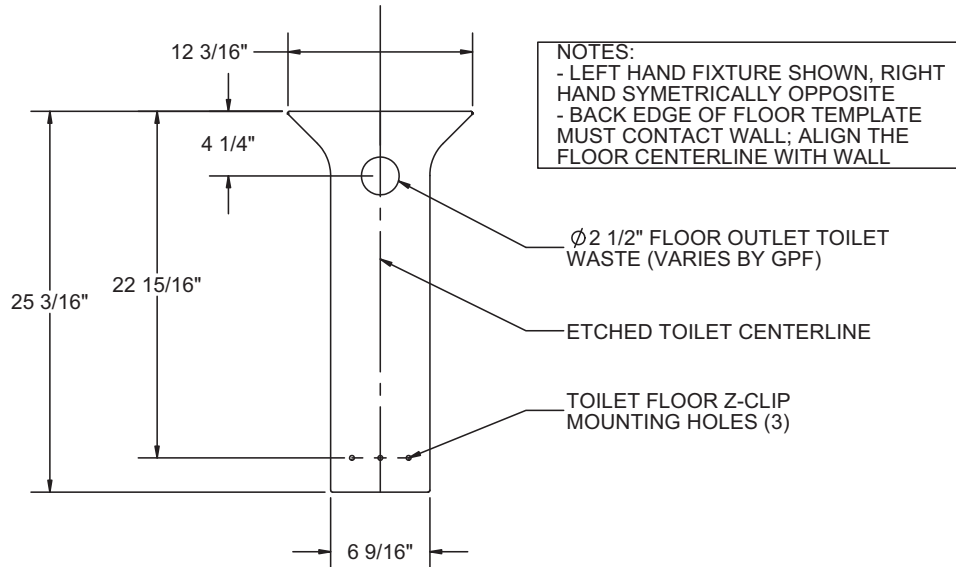
PHYSICAL DIMENSIONS- WH-2600 SERIES



ROUGH-IN DIMENSIONS- WH-2600 SERIES



WH-2600 BACK-WALL ROUGH-IN TEMPLATE



WH-2600 FLOOR ROUGH-IN TEMPLATE

CHECK CONTENTS

- Separate all parts from packaging and make sure all parts are accounted for before discarding any packaging material. If any parts are missing, do not attempt to install WH-2600 Series Patient Care Unit until you obtain the missing parts.

NOTE: Before beginning installation, all supply, drain and waste piping for the WH-2600 Series must be completed according to specified rough-ins. If you have not received rough-in details, please contact Willoughby Industries, Inc. (800) 428-4065

- IMPORTANT: These installation instructions cover all of the Willoughby Industries Inc. WH-2600 Series Patient Care Units. Simply omit the steps which do not apply to the model you are installing.**
- IMPORTANT: Flush all the water supply lines before making connections.**

REQUIRED INSTALLATION SUPPLIES

- Hardware for waste outlet connections
- Gasket for waste outlet connection
- Shims (for toilet or cabinet installation if necessary)
- Supply piping to toilet, faucet, foot valve, vacuum breaker, bedpan washer (AS NEEDED)
- Waste outlet piping to toilet
- P-trap and drain piping
- Silicone caulk
- Proper mounting hardware

WARNING: Willoughby Industries does not assume any responsibility for personal injury or damage to equipment due to an improperly installed WH-2600 Series Patient Care Unit.

INSTALLATION INSTRUCTIONS

Step 1: Unpacking the Patient Care Unit

- 1.) Remove the packaging around the unit.
- 2.) Locate wall and floor mounting templates (skid will be marked) and set aside.
(DO NOT DISCARD)

NOTE: Templates are not to be installed as part of the cabinet. They are only used to specify rough-in measurements.

Step 2: Install the Anchors and Backing

Select the location where the WH-2600 is to be installed. Using the supplied templates, mark all mounting and rough-in locations.

NOTE: Lay out anchor locations for the foot valve if required.

- 3.) Remove the templates.
- 4.) Install appropriate floor anchors to mount the toilet Z-clip securely to the floor (hardware supplied by installer).

NOTE: If the floor concrete is lightweight or less than 4" thick, through-bolting to steel angles under the floor is recommended (hardware supplied by installer).

- 5.) Install adequate backing for mounting the cabinet securely to the wall.

NOTE: Adequate backing and mounting hardware by others.

INSTALLATION INSTRUCTIONS (CONT.)

Step 3: Install the Vacuum Breaker for the WH-2600 Series Patient Care Unit w/ Bedpan Washer

- 1.) Install the supplied vacuum breaker to the wall per local code.

NOTE: The vacuum breaker must be mounted on the wall a minimum of 6' from the floor along the centerline of the valve.

- 2.) Connect the wall piping to the inlet and outlet on the vacuum breaker.
- 3.) Before installing the cabinet, connect the vacuum breaker outlet to the bedpan washer inlet.

NOTE: All other plumbing connections are made after the cabinet is installed.

Step 4: Install WH-2600 Series Cabinet

- 1.) Locate cabinet in place for installation.
- 2.) Once the cabinet is level, secure cabinet to wall through horizontal mounting slots with proper hardware.

NOTE: Mounting hardware by others.

INSTALLATION INSTRUCTIONS (CONT.)

Step 5: Install the Toilet and Waste Connections

- 1.) Slide toilet into position over the floor Z-clip installed in Step 2.
- 2.) Connect the toilet to the floor/wall waste outlet with an appropriate gasket. Be sure to square the toilet assembly to the back wall.
- 3.) Level and support the toilet solidly at the four corners using shims, if needed (shims supplied by installer).
- 4.) Secure the toilet in place with appropriate hardware.

NOTE: If the waste outlet is through the back, use a no-hub type connector (available as an option).

- 5.) On WH-2600 models with a back waste connection, tighten the connector clamps at this time.

Step 6: Install the Stationary Lavatory Top

- 1.) Apply a bead of silicone caulk around the outer top edge of the fixed cabinet and between the lavatory top and the wall.
- 2.) Set the stationary lavatory top in place on the fixed cabinet making sure the back is flush with the wall. Clean up excess caulk around the countertop edge.

Step 7: Install the Sink Lavatory Top to the Toilet Cabinet

- 1.) Install the drain assembly inside the sink lavatory top.
- 2.) Apply a bead of silicone caulk around the outer top edge of the toilet cabinet.
- 3.) With the swinging toilet cabinet closed, set the sink lavatory top in place on the cabinet making sure the back of the sink lavatory top is flush with the stationary lavatory top. Clean up excess caulk around the countertop edge.

INSTALLATION INSTRUCTIONS (CONT.)

Step 8: Install Faucet and Connect Water Supply

NOTE: Please refer to faucet manufacturer's recommended installation instructions.

Step 9: Completing Installation

- 1.) Connect the flush valve outlet to the water closet.

NOTE: Tighten all flush valve connections.

- 2.) Connect the flush valve water supply pipe to the flush valve 1" NPT inlet.
- 3.) Install Push Button Actuator plastic tubing.
- 4.) Install the P-trap (supplied by installer) to the sink drain, and then connect the P-trap to the drain pipe (piping supplied by installer).
- 5.) On models with a bedpan washer sprayer, connect sprayer hose to vacuum breaker outlet inside cabinet.
- 6.) Check all water and waste connections for leaks.

CARE AND MAINTENANCE

Solid Surface Care

Aquasurf® surfaces may be easily cleaned using conventional cleaning agents such as an ammonia based liquid cleaner, (glass cleaner).

Dry stains on a matte finish can be removed with a 3M Scotch-Brite gray scouring pad or a mild abrasive cleaner.

Burns or scorches can be removed by sanding with coarse grit sandpaper followed by finer grit (220) sandpaper. Follow sanding with a 3M Scotch-Brite gray pad (or equivalent) to match finish of sanding area to surrounding area. A final buffing may be required on polished surfaces. Accidental nicks or chips can be repaired with special patch kits available in all Aquasurf® colors.

Avoid exposing Aquasurf® surfaces to strong chemicals such as acetone's; paint removers and sulfuric acid or hydrochloric chemical cleaners. Exposure to strong chemicals may result in permanent damage to Aquasurf® surfaces.

Stainless Steel Care

Stainless Steels are basically alloys of iron and chromium and are corrosion resistant. Stainless steel has a bright surface that is easy to clean and is free from oxides. Therefore, cleaning of stainless steel is relatively simple and easy if done on a regular basis.

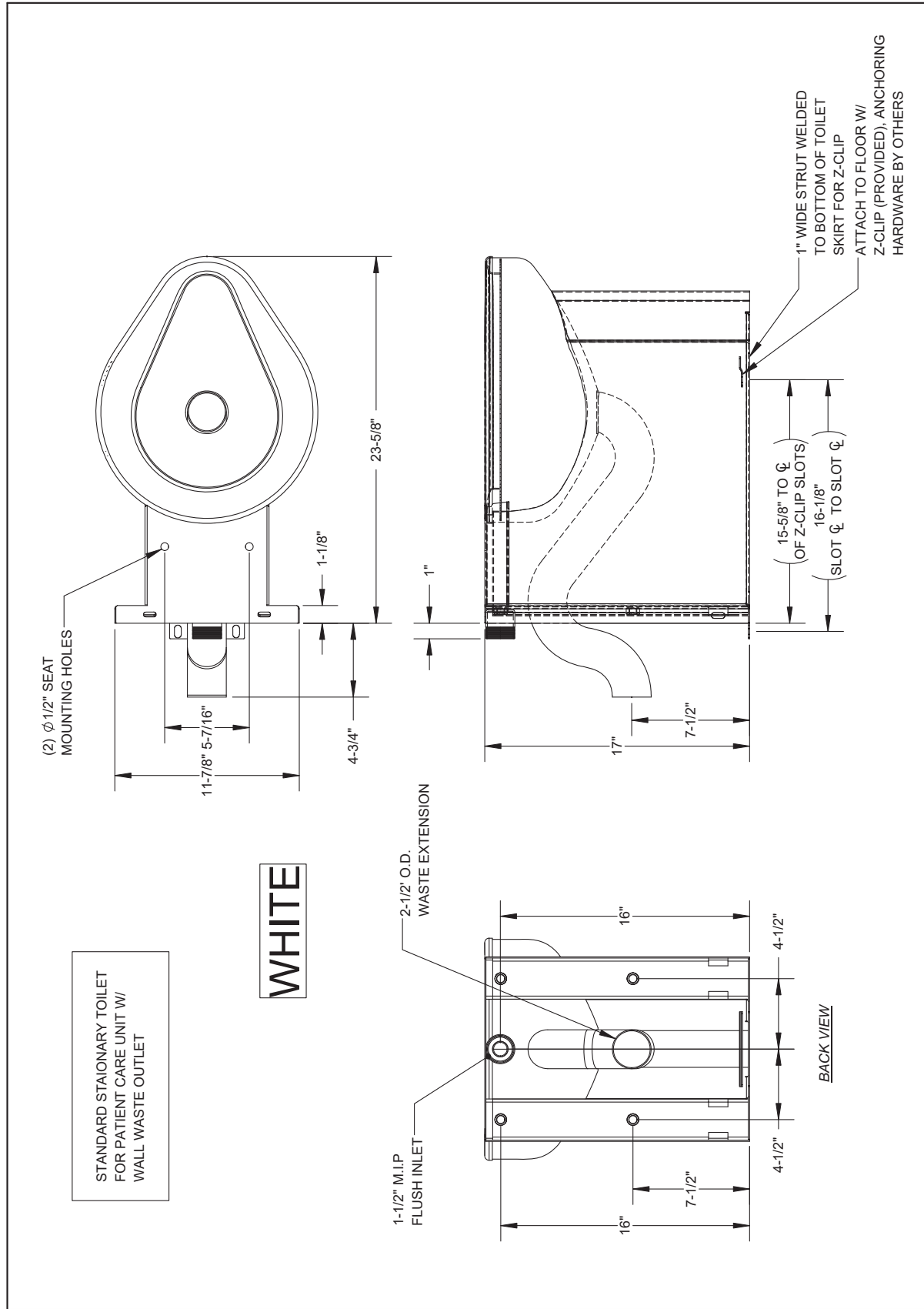
Frequency of cleaning should depend on the rate at which the fixture becomes dirty. Remember that fresh (soft) deposits of all kinds are relatively easy to remove, while removing older (hard) deposits are much more difficult. Establish a cleaning SCHEDULE.


Routine cleaning should involve ordinary soap or detergent and water, applied with a sponge, brush or cloth. Baking soda, borax or any of several non-abrasive commercial cleansing agents can help hasten the cleaning action. After scrubbing, rinse THOROUGHLY and wipe dry.

DO NOT use common steel wool, scouring pads, scrapers, wire brushes, files or other steel tools to clean stainless steel. Such items will scratch the surface or leave small particles of iron imbedded in the surface, which will eventually rust and stain the surface - even appearing as if the stainless itself was rusting.

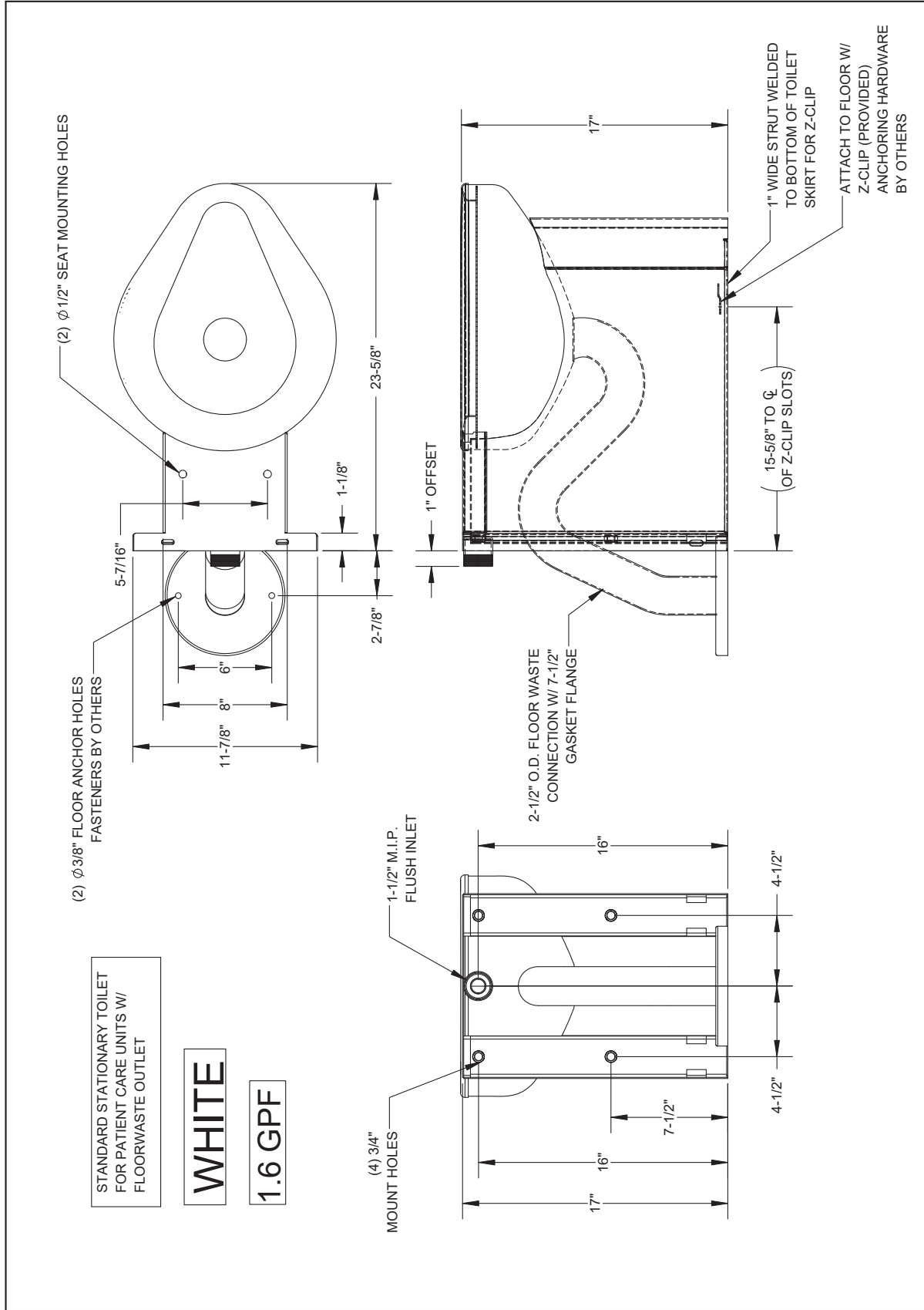
Certain chemical compounds, if used on stainless steel, can give the appearance of rust and if allowed to stand for long periods of time, can pit the surface of even stainless. Products containing hydrochloric acid, muriatic acid or potassium hydrochloride can ruin the surface.

DRAWING: STATIONARY PCU TOILET - WALL WASTE OUTLET



 WILLOUGHBY	TITLE / DESC.: PETWS-1490-FM-BS-HC-1.6-DC TOILET ASSEMBLY-PATIENT CARE-17" TALL	PART #:	H1490-0078
	TOLERANCES EXCEPT AS NOTED 2 PLS: 40:03 FRACTIONS: 1/16" 3/32" ANGLE: 31°	MAT'L: N/A REF:	REVISION ORIG: EEF 3/5/15 REV: A EEF 3/5/15

DRAWING: STATIONARY PCU TOILET - FLOOR WASTE OUTLET



<p>WILLOUGHBY</p>	<p>Willoughby Industries, Inc. Indianapolis, Indiana</p>	<p>TITLE / DESC.: PETF-1490-FM-BS-HC-1.6-DC TOILET ASSEMBLY-PATIENT CARE-17" TALL</p>	<p>PART #: H1490-0079</p>
	<p>2 PLS: 40/63 FRACTIONS: 40/100 ANGLE: 31°</p>	<p>MATL: N/A REF:</p>	<p>REVISION ORIG: EEF 3/5/15 REV: EEF 3/5/15</p>

WARRANTY

Aquasurf® Solid Surface Products are a homogeneous blend of resins, mineral filler and colorant manufactured for panels, molded and/or shaped products and components. Aquasurf® Solid Surface products provide a luxurious appearance with the durability of stain proof, impact resistant, burn resistant material with ease of maintenance and cleaning.

Willoughby Industries, Inc. warrants to commercial and institutional purchasers only that each unit will be free from defects in workmanship and materials under normal use and service upon the following terms and conditions. The period during which Aquasurf® components are warranted as follows:

1. Aquasurf® solid surface components are warranted for 2 years from date of shipment.
2. All other components warranted for 1 year from date of shipment.

This warranty does not cover installation or any other labor charges and does not apply to any components damaged by accident, abuse, improper installation or improper maintenance. This warranty does not cover any installation that did not comply with national, state and local building, plumbing or electrical codes. The warranty is limited to replacing or repairing at Willoughbys option, transportation charges prepaid by the purchaser, any Aquasurf® component or part which upon our inspection shall be deemed as defective within the limitations of this warranty. The replacement or repair of defective units as stated in this warranty shall constitute the sole remedy of the purchaser and the sole liability of Willoughby Industries, Inc. Willoughby Industries, Inc. shall not otherwise be liable under any indirect damages caused by defects in the repair or replacement thereof.

This warranty only extends to commercial and institutional purchasers and does not extend to any others, including consumer customers of commercial institutional purchasers. This warranty is in lieu of all other warranties, expressed or implied, including implied warranty of merchantability or fitness or a particular purpose or otherwise.