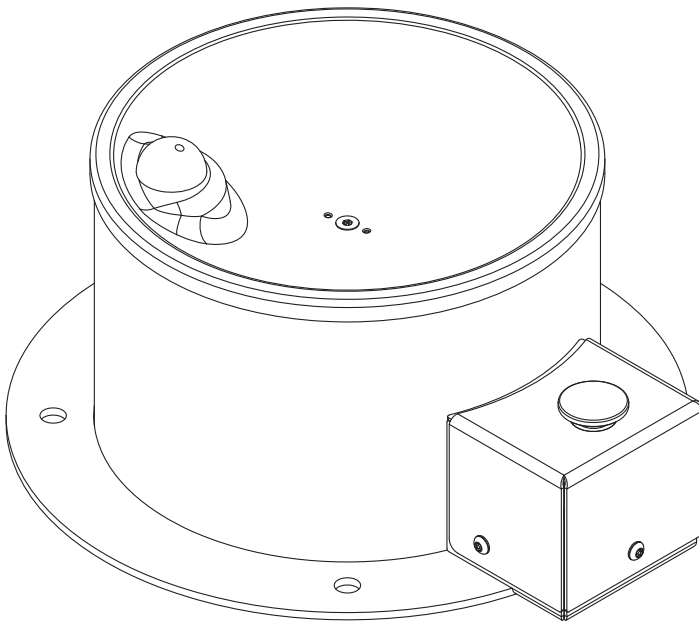


# Installation & Operation Manual

## WODF-1-PET Series

### Outdoor Pet Drinking Fountain



**WODF-1-PET**

#### Table of Contents

Pre-Installation Information.....	3
Physical Dimensions .....	4
Rough-In Dimensions.....	5
Required Installation Supplies .....	6
Hardware Identification Chart.....	7
Installation Instructions .....	
Step 1: Fixture Installation .....	8
Step 2: Adjusting Drinking Spout Flow.....	9
Care and Maintenance .....	10
Troubleshooting .....	11
Detail Drawings .....	
General Dimensions .....	12
Exploded View w/BOM .....	13
Rough-in Dimensions .....	14
Freeze Resistant Valve Installation Detail .....	15
Warranty .....	16



**Willoughby Industries, Inc.**

5105 West 78th Street

Indianapolis, IN 46268

Toll Free: (800) 428-4065

Local: (317) 875-0830

Fax: (317) 875-0837

[www.willoughby-ind.com](http://www.willoughby-ind.com)

**WILLOUGHBY**

Rev. 10/2016

MADE IN THE U.S.A.



***(Page intentionally left blank)***

## Pre-Installation Information

# Installation notice!

Check Rough-In location **PRIOR** to installation

Flush lines thoroughly **PRIOR** to hook-up

When installing the **Willoughby Industries' WODF-1-PET Series** fountain system:

Before Step 1 of the installation instructions, ensure that rough-ins are in the correct location.

The valve assembly, including the spray head, **MUST NOT BE** connected until *after* all lines have been flushed to remove the small particles of debris that are inherent with new construction projects and all chemicals that are used in flushing are purged from the system.

Chemicals used in flushing plumbing systems can attack the internal components of the valve and spray head and severely damage them, so any flushing of the system must be followed by a full flushing with pure water to clear any harsh chemicals remaining in the system. Debris in the system if allowed to enter the valve assembly and spray head can cause poor performance or outright failure.

Again **DO NOT** attempt to connect the valve assembly and spray head until *after* all flushing is complete and pure water is the only media that will be passing through the system. Damage to the valve assembly or spray head caused by harsh chemicals or debris will not be covered by the manufacturer's warranty.

Any fittings provided by the installer should be made of plastic to electrically isolate the unit from the building or connected plumbing system.

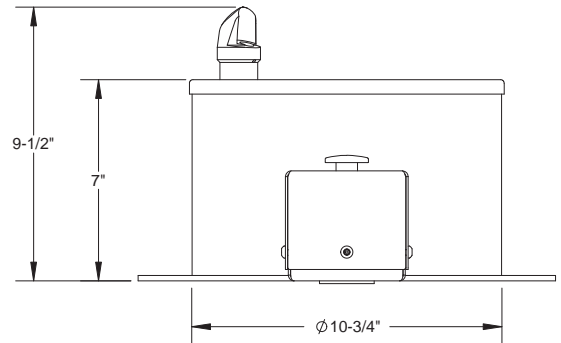
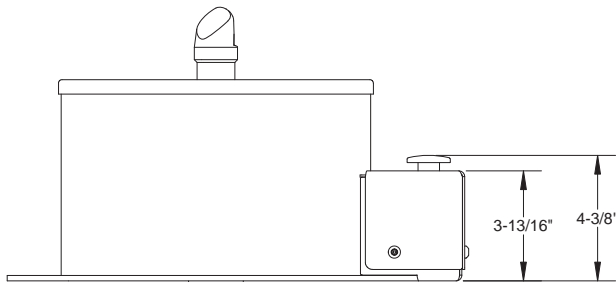
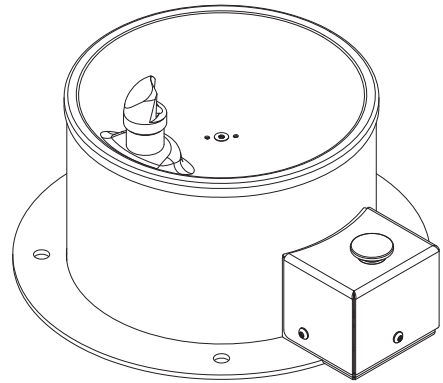
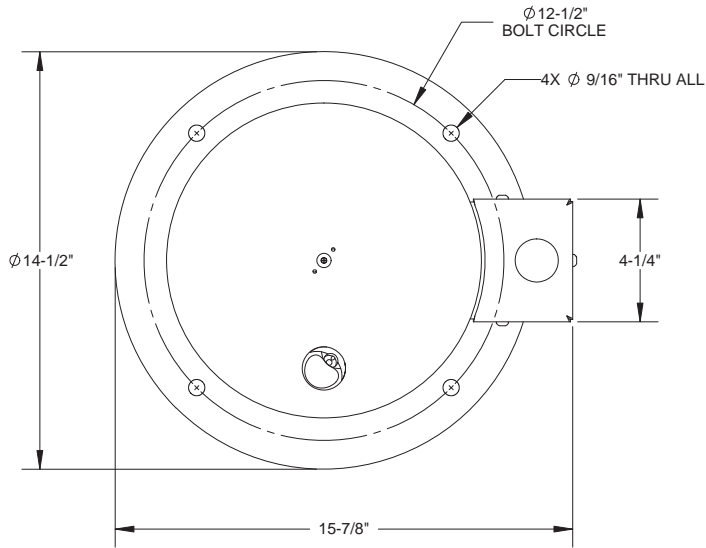
The grounding of electric equipment such as telephones, computers, etc, to water lines is a common procedure. This grounding can cause electrical feedback into a water fountain or similar fixture, causing electrolysis, which results in a metallic taste or an increase in the metal content of the water. This can easily be avoided by using the proper materials as indicated.

# Installation notice!

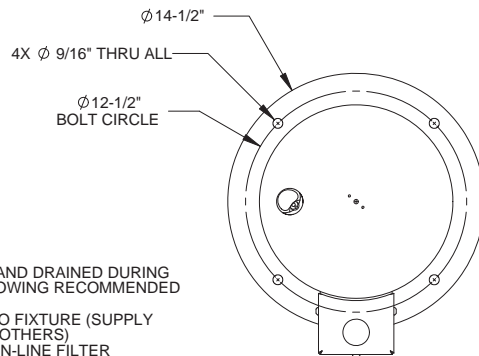
Check Rough-In location **PRIOR** to installation

Flush lines thoroughly **PRIOR** to hook-up

# Physical Dimensions- WODF-1-PET

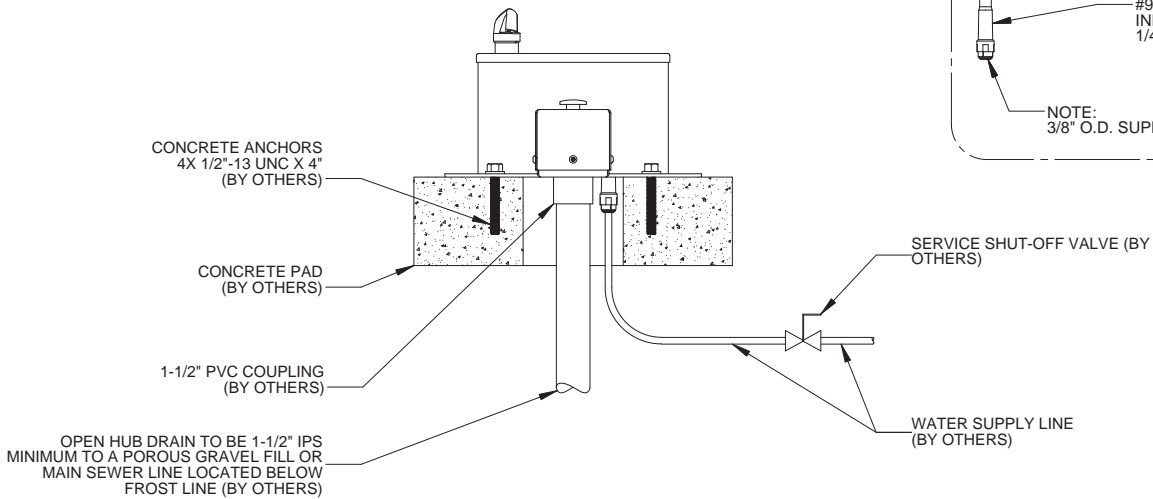
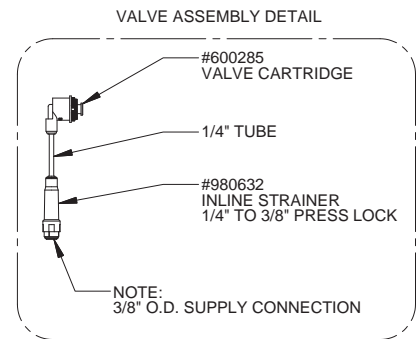


# Rough-In Dimensions WODF-1-PET



NOTE:  
 UNIT MUST BE DISCONNECTED AND DRAINED DURING WINTERIZATION, PER THE FOLLOWING RECOMMENDED PRACTICES:

- SHUT OFF WATER SUPPLY TO FIXTURE (SUPPLY STOP AND WATER LINES BY OTHERS)
- DISCONNECT AND REMOVE IN-LINE FILTER
- PRESS AND HOLD PUSHBUTTON FOR 10 SECONDS TO ALLOW WATER LINES TO DRAIN

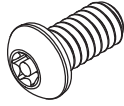


## **Required Installation Supplies**

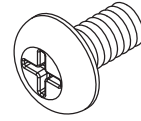
- Proper mounting hardware
- Proper plastic fittings as indicated
- Hardware for waste outlet connections
- Gasket for waste outlet connection
- Shims (for installation if necessary)
- Supply piping
- Silicone caulk
- Plumbers putty

**WARNING: Willoughby Industries does not assume any responsibility for personal injury or damage to equipment due to an improperly installed WODF-1-PET Series Fountain**

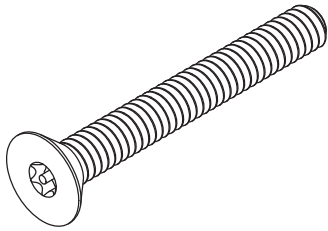
# Hardware Identification Chart



1/4"-20 x 1/2"  
SECURITY SCREW  
4500NSS



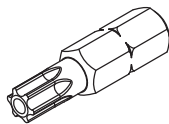
1/4"-20 x 1/2"  
PHILLIPS SCREW  
800144



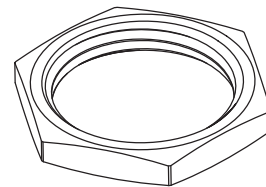
1/4"-20 x 2"  
FLAT HEAD SECURITY SCREW  
4509SSN



6-32 x 1/4"  
SOCKET HEAD CAP SCREW  
800157



T27  
1/4" PINNED TORX BIT  
800115



3/4" NPT  
BRASS LOCKNUT  
600612N

# **Installation Instructions**

## **Step 1: Fixture Installation**

***Note: the WODF-1-PET outdoor fountain is to be mounted on a flat, level surface (concrete or otherwise) with an adequate support structure.***

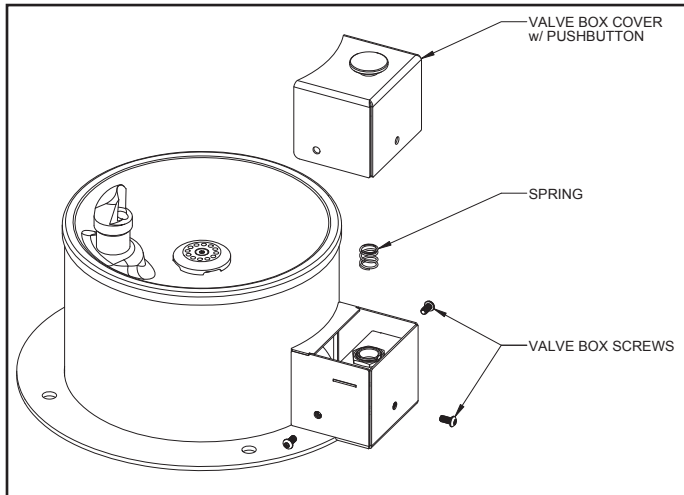
***Note: refer to Rough-In Dimensions for locating plumbing connections.***

- 1.) Install service shut-off valve in water supply line (valve not furnished).
- 2.) Locate and install drinking fountain using 1/2"-13 x 4" concrete anchors (anchors not furnished).
- 3.) As noted previously, flush the water supply line with clean drinking water before making final connections to the drinking fountain.
- 4.) Connect water supply line to inline strainer inside drinking fountain using 3/8" plastic tubing (extra tubing not furnished). Push tube straight into fitting on filter about 3/4" until it reaches a positive stop. Water supply connection must comply with local codes.
- 5.) Connect fountain drain line to drainage system. Drain is to be 1-1/2" IPS minimum to a porous gravel fill or main sewer line located below frost line. Installer to provide waste trap downstream of drain connection. Drain and waste trap must comply with local codes.
- 6.) Turn on water supply and check both the water supply lines and drain lines for leaks.

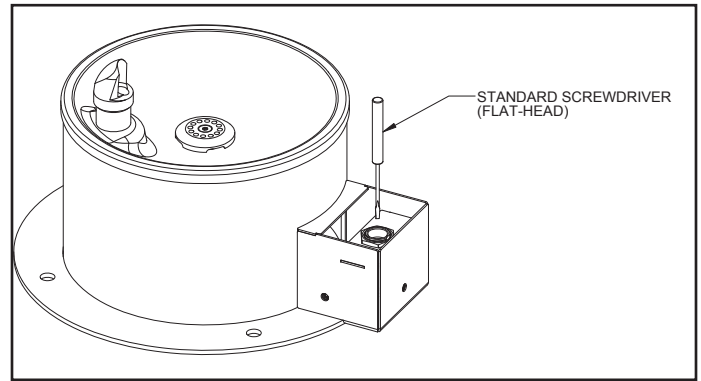


## **Installation Instructions (cont.)**

### **Step 2: Adjusting Drinking Spout Flow**



**Removing valve box cover**



**Adjusting flow with screwdriver**

- 1.) Remove valve box screws.
- 2.) Remove valve box cover and push button (together).
- 3.) Remove spring.
- 4.) Insert a standard flat-head screwdriver into adjustment opening of valve, as shown in Figure 4.
- 5.) Rotate screwdriver to adjust until desired flow is achieved.
  - a.) Rotate clockwise to increase flow.
  - b.) Rotate counterclockwise to decrease flow.

# **Care and Maintenance**

## **Unit Care**

Willoughby Industries' WODF Outdoor Drinking Fountains are not freeze resistant without the FRV Freeze Resistant Valve option. The unit should be disconnected or shut off from the water supply and drained during the colder months. For more information, refer to the rough-in detail.

In order to ensure adequate flow and cleanliness of water, the inline strainer in the supply line should be cleaned or replaced regularly. New inline strainers can be ordered using Willoughby Part No. 980632.

---

## **Stainless Steel Care**

Stainless Steels are basically alloys of iron and chromium and are corrosion resistant. Stainless steel has a bright surface that is easy to clean and is free from oxides. Therefore, cleaning of stainless steel is relatively simple and easy if done on a regular basis.

Frequency of cleaning should depend on the rate at which the fixture becomes dirty. Remember that fresh (soft) deposits of all kinds are relatively easy to remove, while removing older (hard) deposits are much more difficult. Establish a cleaning SCHEDULE.

Routine cleaning should involve ordinary soap or detergent and water, applied with a sponge, brush or cloth. Baking soda, borax or any of several non-abrasive commercial cleansing agents can help hasten the cleaning action. After scrubbing, rinse THOROUGHLY and wipe dry.

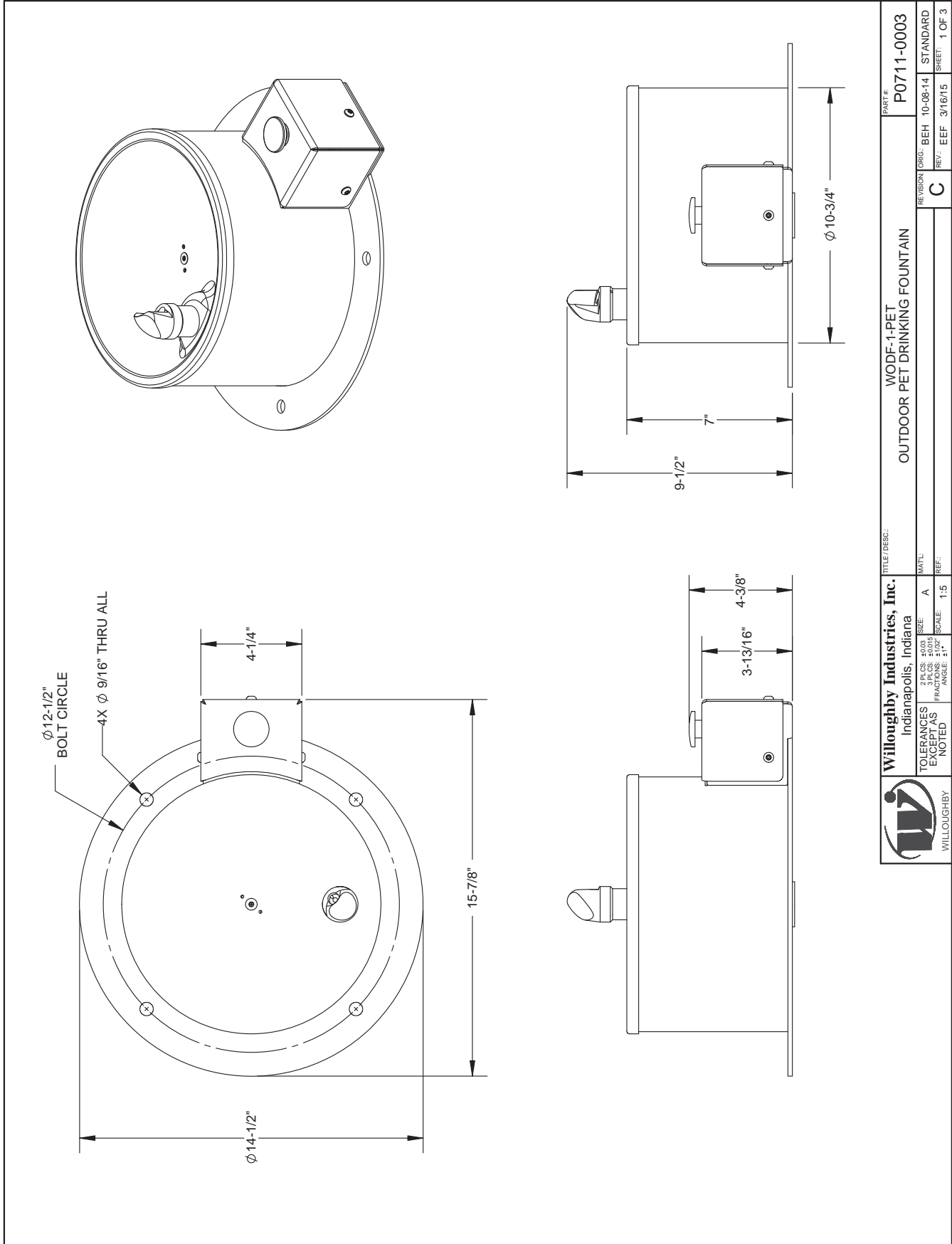
DO NOT use common steel wool, scouring pads, scrapers, wire brushes, files or other steel tools to clean stainless steel. Such items will scratch the surface or leave small particles of iron imbedded in the surface, which will eventually rust and stain the surface - even appearing as if the stainless itself was rusting.

Certain chemical compounds, if used on stainless steel, can give the appearance of rust and if allowed to stand for long periods of time, can pit the surface of even stainless. Products containing hydrochloric acid, muriatic acid or potassium hydrochloride can ruin the surface.

# **Troubleshooting**

- I. Insufficient Flow
  - A. Ensure the service shut-off valve is fully open (provided by installer).
  - B. Ensure water supply is within the normal operating range of 40-60 psi.
    - 1. If pressure is too low, flow can be drastically reduced.
    - 2. If pressure is too high, the strainer and/or valve may have been damaged.
    - 3. The unit is rated for a maximum range of 30-105 psi.
  - C. Inspect the unit's valve for damage, and replace if necessary.
  - D. Inspect the inline strainer for damage and/or clogging, and clean or replace as necessary.
  - E. Check all fittings and tubing for damage and leaks. Replace components as necessary.
  
- II. Unit has problems draining
  - A. Remove any debris from the drain.
  - B. Remove any debris from the PVC pipe and fittings.
  - C. Check and clear the waste trap (provided by installer).

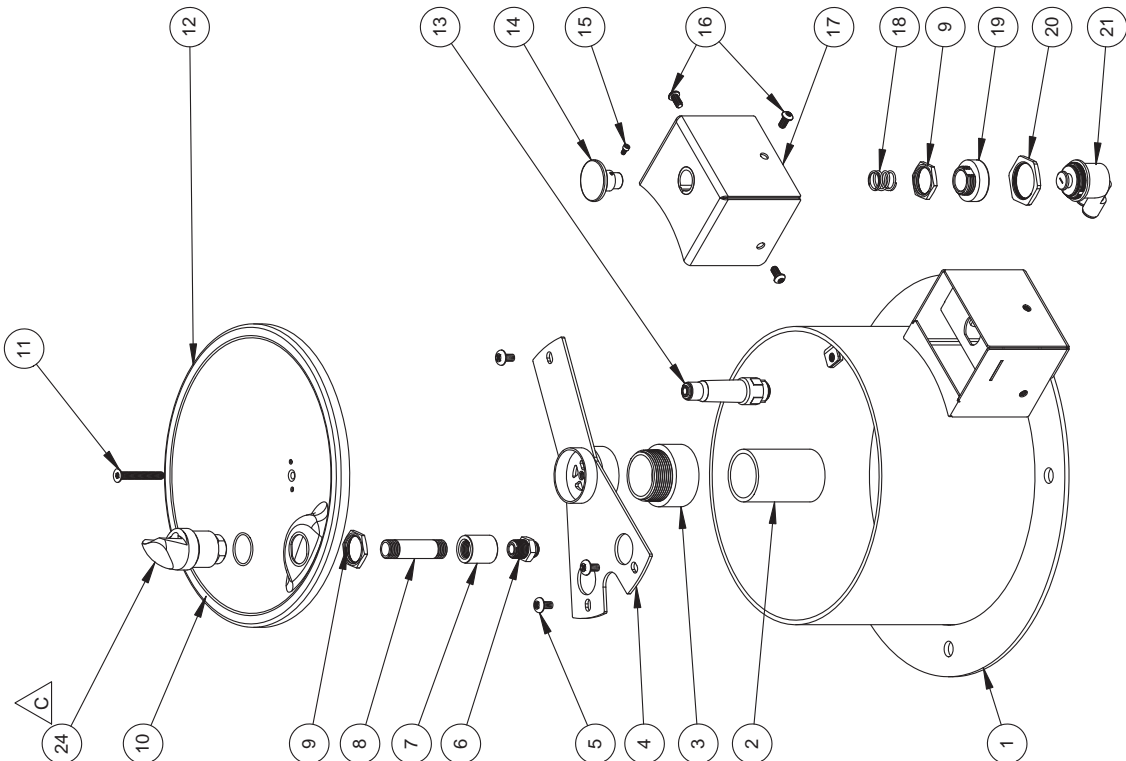
**DRAWING: General Dimensions**



 Willoughby Industries, Inc. Indianapolis, Indiana TOLERANCES EXCEPT AS NOTED	TITLE / DESC.: WODF-1-PET OUTDOOR PET DRINKING FOUNTAIN		PART #: P0711-0003	
	2 PLS. #003 3 PLS. #004 FRAGILE	SCALE: 1:5	REVISION: C	ORIG. - BEH 10-08-14 REV. - EEF 3/16/15

**DRAWING: Exploded View w/BOM**

NOTE: WILLOUGHBY PART #600471 - 1/4" TUBING  
 NOT SHOWN IN EXPLODED VIEW.



ITEM #	PART #	DESCRIPTION	QTY.
1	S200223	WELDED BODY ASSEMBLY	1
2	320280	PVC PIPE, 1-1/2" SCHED. 40 X 2-15/16" LONG	1
3	320284	PVC THREADED ADAPTER, 1-1/2"	1
4	S200031	RECEPTOR SUPPORT ASSEMBLY	1
5	800144	1/4-20 X 1/2" PHILLIPS TRUSS HEAD SCREW	3
6	320437	ADAPTER, 3/8" NPTF MALE X 1/4" TUBE PUSH-TO-CONNECT	1
7	320091	COUPLING, 3/8" FPT STAINLESS STEEL	1
8	320469	NIPPLE, 3/8" NPT X 2.5" LONG	1
9	600612N	HEX NUT, 3/4"-14 NPSM	2
10	600116	O-RING, #023, BUNA N-70	1
11	4509SSN	1/4"-20 X 2" FH SECURITY SCREW	1
12	S200237	PET BOWL - 1-3/4" DEPTH	1
13	980632	STRAINER, IN-LINE, 1/4 TO 3/8 PRESS LOCK	1
14	380113	PUSH PIN FOR PET FOUNTAIN ADJUSTABLE PUSHBUTTON VALVE	1
15	800157	6-32 x 1/4" SH CAP SCREW	1
16	4500NSS	1/4-20 X 1/2" BUTTON HEAD SECURITY SCREW	3
17	S200249	COVER ASSEMBLY, VALVE, WODF-1-PET	1
18	980142	SPRING FOR PET FOUNTAIN ADJUSTABLE PUSHBUTTON VALVE	1
19	380112	SLEEVE FOR PET FOUNTAIN ADJUSTABLE PUSHBUTTON VALVE	1
20	600286	NUT, CARTRIDGE MOUNTING	1
21	600285	SELF-CLOSING CARTRIDGE, 1.0 GPM	1
22	600471	TUBING, 1/4" O.D. X 0.17" I.D. X 18" LONG	1
24	600601HE	DECK MOUNTED DRINKING FOUNTAIN BUBBLER	1

**Willoughby Industries, Inc.**  
 Indianapolis, Indiana

TOLERANCES EXCEPT AS NOTED

2 PLS. 4003  
 3 PLS. 40015  
 FR. ANGLE: 1/2"

SCALE: 1:6

MATL: A  
 REF:

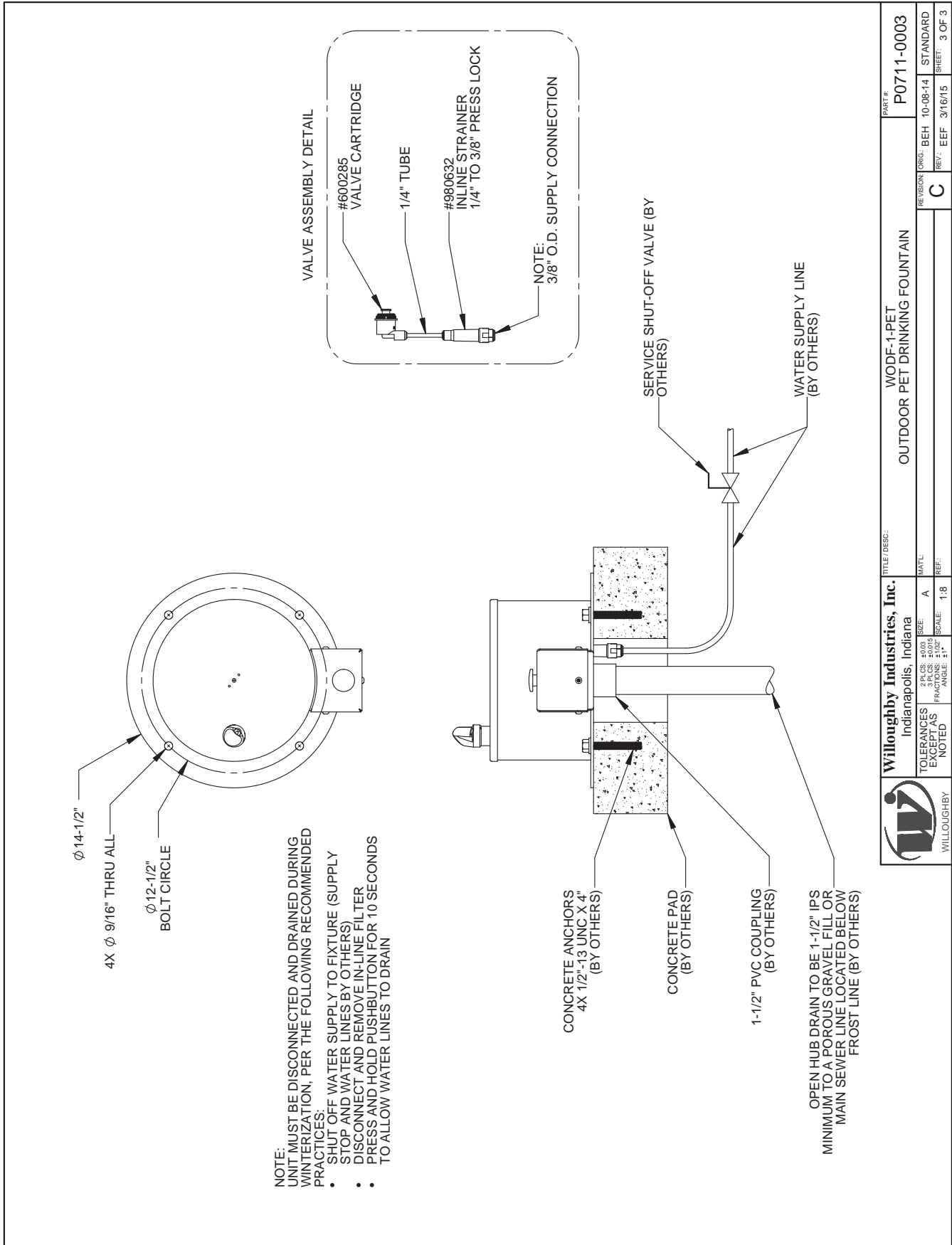
REVISION ORG. BEH. 10-08-14  
 C EEF 3/16/15

PART # P0711-0003

TITLE/DESC: WODF-1-PET  
 OUTDOOR PET DRINKING FOUNTAIN


STANDARD SHEET: 2 OF 3

**DRAWING: Rough-in Dimensions**



	<b>Willoughby Industries, Inc.</b> Indianapolis, Indiana 2 PLCS #003 SIZE A 3 PLCS #005 TOLERANCES EXCEPT AS NOTED FRAGILE SCALE: 1" = 1'-8" ANGLE: 1" = 1"	TITLE / DESC.: WODF-1-PET OUTDOOR PET DRINKING FOUNTAIN	PART #: P0711-0003
	REVISION: C REV: EEF 3/16/15	ORG: BEH 10-08-14 STANDARD	SHEET: 3 OF 3
	REF:		

**DRAWING: Freeze Resistant Valve Installation Detail**

 <p>WILLOUGHBY</p>	<p><b>(FRV-1) FREEZE RESISTANT VALVE INSTALLATION DETAIL</b></p>	<p>DRAWING #: <b>P143012A</b></p>
<p>TOLERANCE: DIMENSIONS ARE +/- 1/4" EXCEPT AS NOTED</p>	<p>MATERIAL: ALL MATERIALS AS NOTED</p>	<p>REV: <b>C</b> 8/10/16</p>
<p>NOTE: SEE INDIVIDUAL DOCUMENTATION OF SPECIFIED WODF FIXTURE FOR SPECIFIC MOUNTING DETAILS. WODF MOUNTING SHOWN FOR REFERENCE ONLY.</p>	<p>NOTE: FRV-1 SINGLE VALVE FREEZE RESISTANT SYSTEM SHOWN (FRV-2 DUAL VALVE AND FRV-3 THREE VALVE OPTIONS AVAILABLE)</p>	<p>STANDARD DWG: 8/10/16</p>
<p>WODF-FRV FIXTURE (AS SPECIFIED)</p>	<p>WODF-FRV VALVE (AS SPECIFIED)</p>	<p>DATE: 3/25/14</p>
<p>FLOW REGULATOR #980614</p>	<p>ACCESS COVER W/SECURITY SCREWS</p>	<p>TRB</p>
<p>DUCT FITTING #980656</p>	<p>INSULATED VALVE BOX (BY OTHERS OPTIONAL)</p>	<p>SCALE: NOT TO SCALE</p>
<p>CONCRETE PAD (BY OTHERS) 30" X 30"</p>	<p>PVC 6" REMOVABLE CAP #980651</p>	
<p>CONCRETE ANCHORS 4 x 1/2"-13 UNC (BY OTHERS)</p>	<p>4" SURFACE/GROUND LEVEL</p>	
<p>OPEN HUB DRAIN TO BE 1-1/4" IPS MINIMUM TO A POROUS GRAVEL FILL OR MAIN SEWER LINE LOCATED BELOW FROST LINE (BY OTHERS).</p>	<p>6" PVC PIPE (7-1/2" STANDARD LENGTH)</p>	
<p>2" FLEXIBLE DUCT #980655</p>	<p>U-BOLT W/FLANGE #980661 1/4-20 HEX NUTS #600613N</p>	
<p>HOSE CLAMP #980662</p>	<p>PVC PIPE "n" #980650</p>	
<p>PVC PIPE BUSHING #980653 PVC PIPE NIPPLE #980654</p>	<p>3/8 TO 3/8 TUBE FITTING #320449</p>	
<p>6" PVC PIPE (40' STND) SPECIFY DESIRED LENGTH #980652</p>	<p>INSULATOR #980659</p>	
<p>VALVE SERVICE ROD #980658</p>	<p>FROST LINE 36" TO 60" (CHECK LOCAL CODES)</p>	
<p>3/8 SUPPLY TUBE NATURAL #600623 3/8 TUBE INSULATION #980657</p>	<p>4" MIN</p>	
<p>FREEZE RESISTANT VALVE ASSEMBLY #980615-1</p>	<p>20"</p>	
<p>SUPPLY HOSE #980660</p>	<p>POROUS GRAVEL FILL BED REQD (MINIMUM 5 CUBIC FEET BY OTHERS)</p>	
<p>1/2" IPS SUPPLY &amp; SHUTOFF (BY OTHERS)</p>		

## **Warranty**

Willoughby Industries, Inc. warrants to commercial and institutional purchasers only that each unit will be free from defects in workmanship and materials under normal use and service upon the following terms and conditions for a period of one (1) year from date of shipment.

This warranty does not cover installation or any other labor charges and does not apply to any components damaged by accident, abuse, improper installation or improper maintenance. This warranty does not cover any installation that did not comply with national, state and local building, plumbing or electrical codes. The warranty is limited to replacing or repairing at manufacturer's option, transportation charges prepaid by the purchaser, any component or part which upon our inspection shall be deemed as defective within the limitations of this warranty. The replacement or repair of defective units as stated in this warranty shall constitute the sole remedy of the purchaser and the sole liability of Willoughby Industries, Inc. Willoughby Industries, Inc. shall not otherwise be liable under any indirect damages caused by defects in the repair or replacement thereof.

This warranty only extends to commercial and industrial purchasers and does not extend to any others, including consumer customers of commercial institutional purchasers. This warranty is in lieu of all other warranties, expressed or implied, including implied warranty of merchantability or fitness for a particular purpose or otherwise.