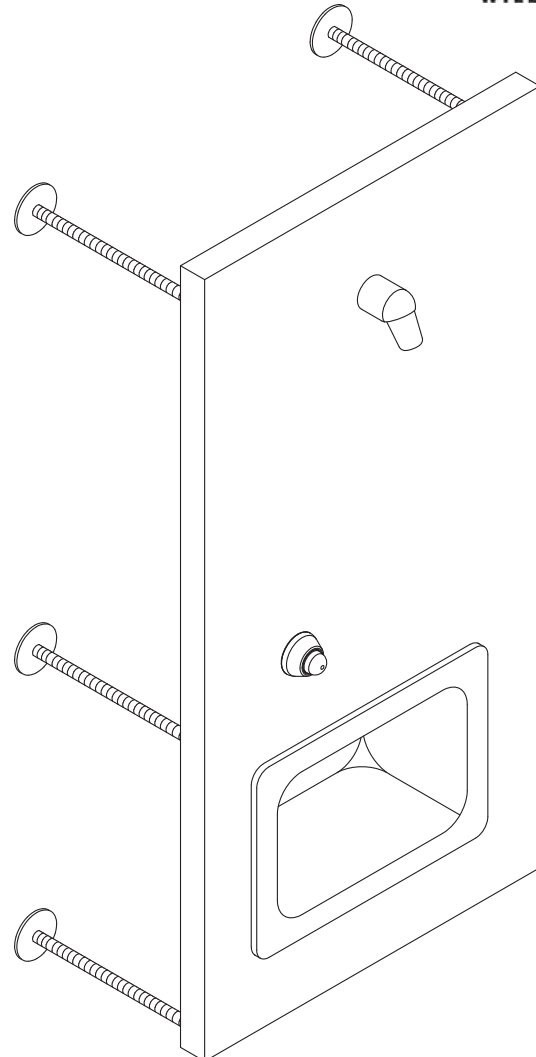


WRS Series Rear Mounted Recessed Shower Panel



(Unit may be shown with optional features)

Recommended Specifications

Rear Mounted Recessed Shower Panel shall be:
Willoughby Model No. **WRS**
(Select from model number and options list on next page)

Shower panel shall be fabricated from 14 gauge, Type 304 stainless steel with exposed stainless surfaces polished to a #4 satin finish.

Standard equipment shall include:
- Shower valve (Select from Valve Selection options list)
- (NPS) non-adjustable penel shower head

Anchoring shall be by standard 6-point system: 1/2" threaded rods, nuts and washers shall be furnished for walls up to 8" thick. Unit requires chase area for installation and maintenance.

Optional WaterSense Labeled ligature-resistant shower head available (LRSH).

To specify fixture and accessories, use the Model Number and Options page.

Example: To specify a Rear Mounted Recessed Shower Panel with single temp. pneumatic metering valve, standard ligature-resistant pneumatic push button, standard 2.5 GPM flow rate, standard (NPS) shower head, in-line thermostatic mixing valve, and recessed mounted soap dish

Use the following Willoughby Model Number:

WRS-PML1-PBH-2.5GPM-NPS-TMV-RD



WARNING: Cancer and Reproductive Harm

- www.P65Warnings.ca.gov

visit our website at www.willoughby-ind.com
5105 West 78th Street • Indianapolis, IN. 46268
(317) 875-0830 • Fax: (317) 875-0837 • (800) 428-4065



MADE IN THE U.S.A.

MODEL NUMBER AND OPTIONS:

1.) Base Model Number:

- WRS Rear Mounted Recessed Shower Panel

2.) Valve Selection:

- NV No Valve
 PML1 Single Temp. Pneumatic Metering Ⓢ Ⓞ
 PML2 Dual Temp. Pneumatic Metering Ⓢ Ⓞ
 E1L1 Single Temp. Electronic (Pick Control)* Ⓢ Ⓞ
 E1L2 Dual Temp. Electronic (Pick Control)* Ⓢ Ⓞ

Valve Manifold Option:

Pneumatic or Electronic Valves Only:

(See the Manifold Option Page at the end of Catalog Section S5 for further information)

- MA2

3.) Push Button Selection:

Pneumatic or Electronic Valves Only:

- PBH Ligature-resistant Pneumatic Push Buttons Ⓢ Ⓞ
 PZPB Ligature-resistant Piezo Electronic Push Buttons* Ⓢ Ⓞ

4.) Flow Rates:

- 2.5 GPM (Standard)
 2.0 GPM
 1.5 GPM

5.) Electronic Controls* (Must Use Electronic Push Button):

- WUSC-2200 WUSC-2400 Pneumatic WMS II

6.) Shower Head Selection:

- NPS Non-adjustable Penal Shower Head (Standard) Ⓢ
 APS Adjustable Penal Shower Head
 LRSH Ligature-resistant Shower Head, WaterSense Labeled, 2.0 GPM Max Flow Rate Ⓞ
 CSH Ligature-resistant Shower Head Ⓢ Ⓞ

7.) Options:

- TMV In-line Thermostatic Mixing Valve
 TF24H Hard-wired Transformer, 110VAC to 24VAC*
 TF24P Plug-in Transformer, 110VAC to 24VAC*
 RD Recessed Mounted Soap Dish Ⓢ Ⓞ
 SD Surface Mounted Soap Dish
 WS Wall Sleeve (Requires Accessible Chase)
 MT Wall Template
 Other _____
 Other _____

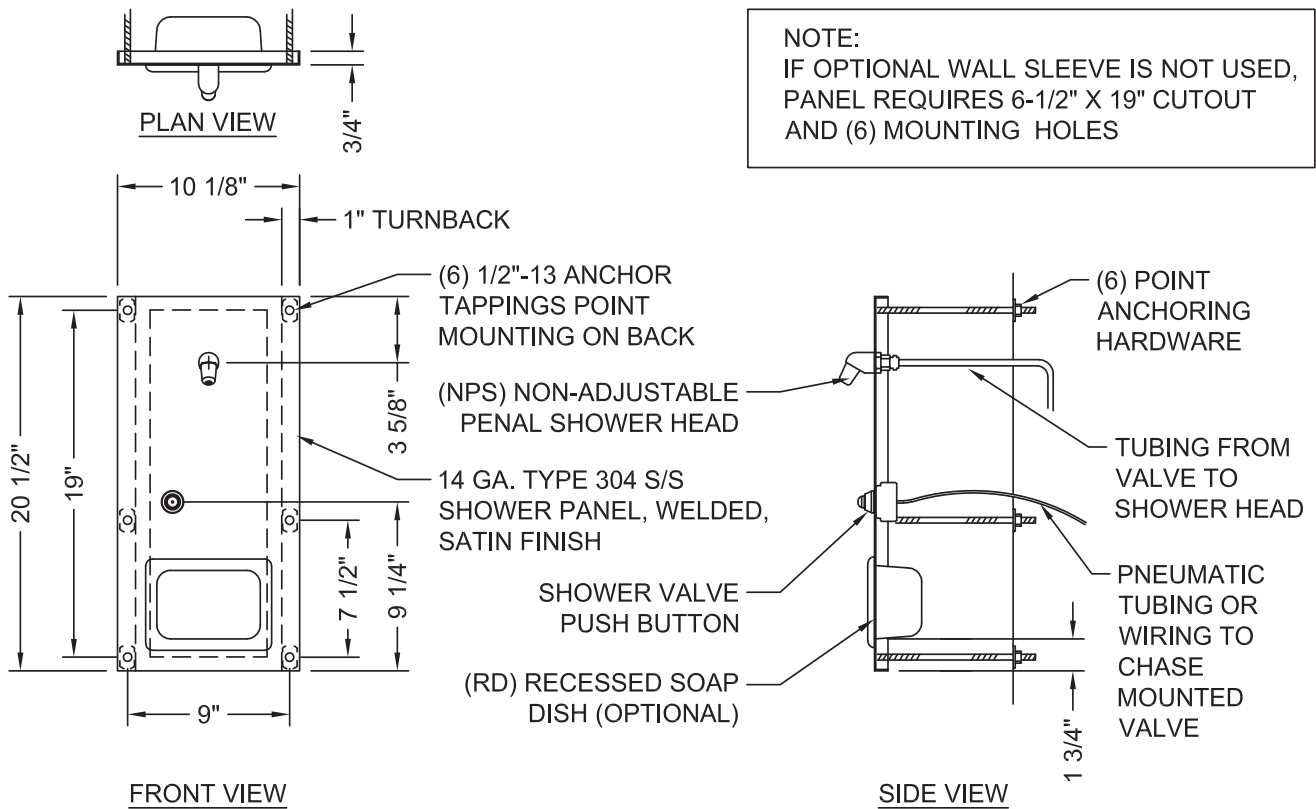
* (Req. 110V power through ground fault interrupter (GFCI) receptacle)

Ⓢ For security applications

Ⓞ Ligature-resistant option

Approved For Manufacturing By: _____ Date: _____ Company: _____
 Wall Thickness: _____ Wall Type: _____

VERIFY ALL DIMENSIONS WITH FACTORY PRIOR TO ROUGH-IN
 WILLOUGHBY RESERVES THE RIGHT TO MAKE CHANGES IN DESIGN AND DIMENSIONS WITHOUT FORMAL NOTICE AND WITHOUT INCURRING OBLIGATION.



visit our website at www.willoughby-ind.com
 5105 West 78th Street • Indianapolis, IN. 46268
 (317) 875-0830 • Fax: (317) 875-0837 • (800) 428-4065



MADE IN THE U.S.A.