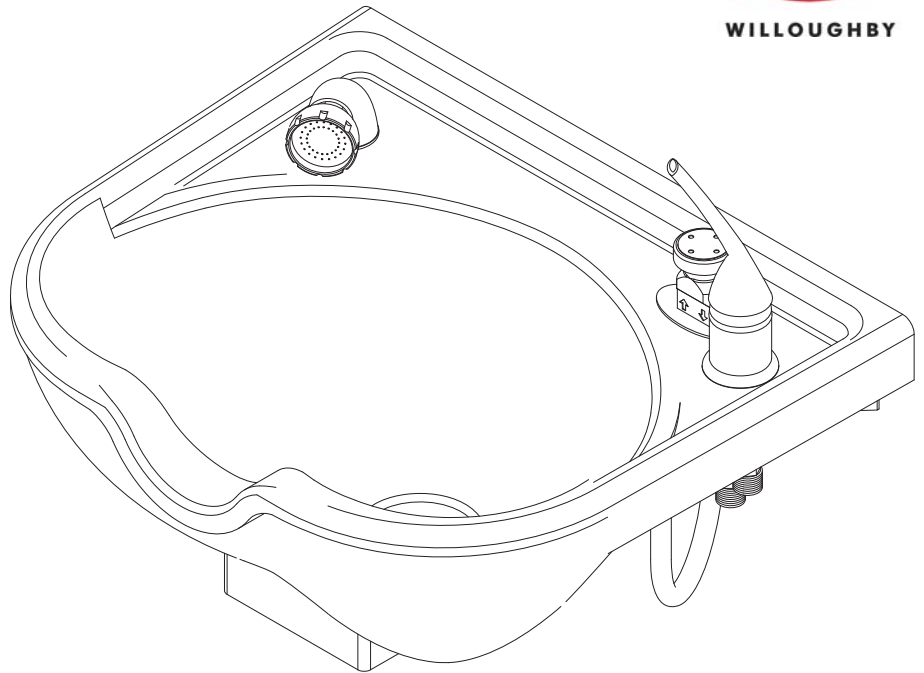


WSB-2111 Aquasurf® Solid Surface Shampoo Bowl 22" Wide



(SOME OPTIONS MAY BE SHOWN)

To specify fixture and accessories, use the Model Number and Options page.

Example: To specify an Aquasurf Solid Surface Shampoo Bowl (22" Wide) with single faucet, vacuum breaker, and hand sprayer in Red Coral

Use the following Willoughby Model Number: **WSB-2111-SHF-RC**

Recommended Specifications

Aquasurf® Solid Surface Shampoo Bowl (22" Wide) shall be:
Willoughby Model No. **WSB-2111**
(Select from model number and options list on next page)

The 22" Wide Aquasurf® shampoo bowl shall accommodate one user at a time and have a contoured neck rest.

Standard WSB-2111 shampoo bowl shall be fabricated from Aquasurf® Solid Surface material, and includes:

- Stainless steel 3-1/2" basket strainer with drain
- Wall mounting bracket (less wall mounting hardware)

An optional single handle multi-temperature faucet with removable hand-held sprayer and vacuum breaker is available.

Aquasurf® WSB-2111 shall be constructed of molded cast polymer densified solid surface material composed of polyester/ acrylic resin. UV stabilizer, aluminum trihydrate, mineral fillers and proprietary colorant. The Aquasurf® solid surface material is resistant to stains, impact and burns.

Surface damage can be easily repaired with everyday cleaners and/or fine grit abrasives.



WARNING: Cancer and Reproductive Harm

- www.P65Warnings.ca.gov

visit our website at www.willoughby-ind.com
5105 West 78th Street • Indianapolis, IN. 46268
(317) 875-0830 • Fax: (317) 875-0837 • (800) 428-4065



MADE IN THE U.S.A.

MODEL NUMBER AND OPTIONS:

1.) Base Model Number:

WSB-2111 Aquasurf® Solid Surface Shampoo Bowl (22" Wide)

2.) Hole Selection:

- NF No Faucet Included (Drilled By Others)
- SHF Single Handle Faucet with Vacuum Breaker and Hand Held Sprayer

3.) Solid Surface Colors:

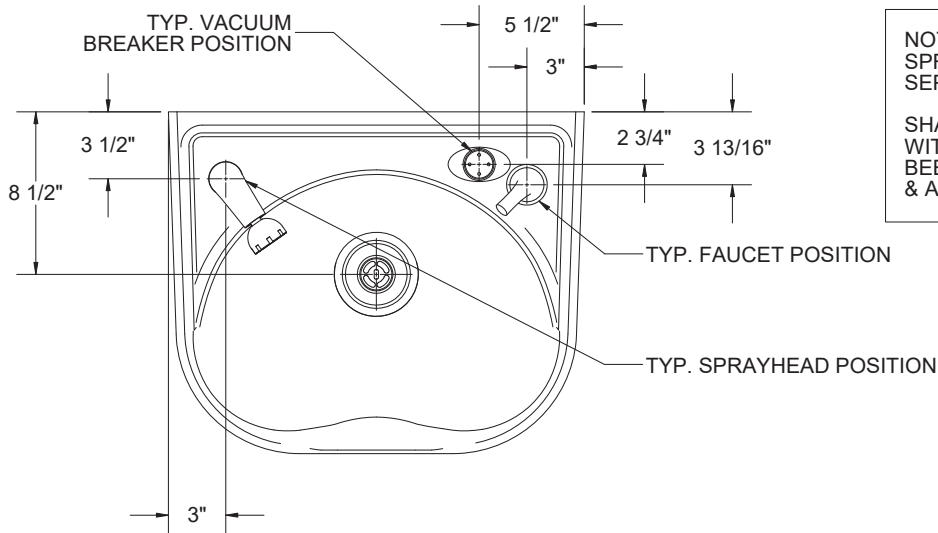
- BN Bone
- GW Glacier White
- GG Grey Granite
- SS Sandstone
- WG White Granite
- BG Black Granite
- NB Nocturnal Blue
- RC Red Coral
- SG Sea Green

4.) Options:

- Other _____
- Other _____

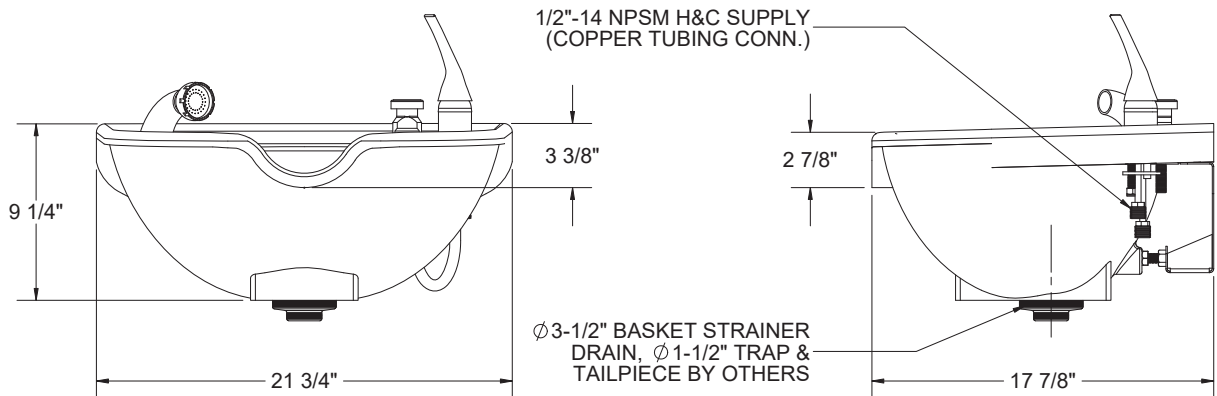
Approved For Manufacturing By: _____ Date: _____ Company: _____
 Wall Thickness: _____ Wall Type: _____

VERIFY ALL DIMENSIONS WITH FACTORY PRIOR TO ROUGH-IN
 WILLOUGHBY RESERVES THE RIGHT TO MAKE CHANGES IN DESIGN AND DIMENSIONS WITHOUT FORMAL NOTICE AND WITHOUT INCURRING OBLIGATION.



NOTE: FAUCET, VACUUM BREAKER, SPRAYHEAD, & ACCESSORIES SOLD SEPARATE, SEE P/N: WSB-KIT

 SHAMPOO BOWLS ORDERED (NF) WITHOUT FAUCETS, WILL NEED TO BEE FIELD-DRILLED FOR FAUCETS & ACCESSORIES (BY OTHERS)



visit our website at www.willoughby-ind.com
 5105 West 78th Street • Indianapolis, IN. 46268
 (317) 875-0830 • Fax: (317) 875-0837 • (800) 428-4065



MADE IN THE U.S.A.