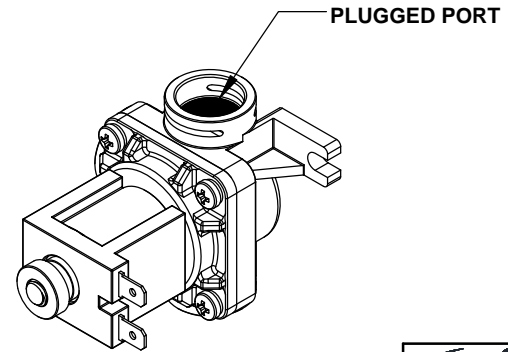


NOTE: REPAIR KIT ORDERING #'S ARE LISTED IN THE EXPLODED VIEW.

NOTE: PARTS LISTED IN THE PVK REPAIR KITS ARE NOT SOLD INDIVIDUALLY

* EVK-4 KIT INCLUDES 380897 VALVE SEAT W/ O-RING (NOT SHOWN)



ASSEMBLED VIEW

ITEM #	PART #	DESCRIPTION	QTY.
1	980420L	SINGLE TEMP BASE w/INSERTS, LEFT - PLUGGED PORT	1
2	980305	WATER SIDE DIAPHRAGM/ADAPTOR ASSY.	1
3	980565	ARMATURE BUMPER ASSEMBLY, EL VALVE	1
4	980533	SPRING, 5/8 24v VALVE	1
5	980530	ARMATURE CAP, 24V VALVE	1
6	980170A	#8-32 x 1/2 " SCREW W/SEMS SPLIT L/W	4
7	980532	COIL, 24V AC	1
8	980534	NYLON NUT, 5/16-18	1

	Willoughby Industries Inc. Indianapolis, Indiana		TITLE / DESC.: E1L VALVE ASSEMBLY - LEFT PLUGGED PORT				PART #: 980408PL	
	TOLERANCES EXCEPT AS NOTED	2 PLCS: +0.03 3 PLCS: +0.015 FRACTIONS: ±1/32" ANGLE: ±1°	SIZE: A SCALE: 1:2	MATL:	REF.:	REVISION: A	ORIG.: TRB 10/18/12	STANDARD SHEET: 1 OF 1